

2024 Price List | EURO ex VAT



Resident

CONTENTS

LIGHTING

Bloom Pendant Small	4
Bloom Pendant Large	5
Bloom Table Light	6
Bloom Floor Light	7
Cast Pendant - Straight	8
Cast Pendant - Round	8
Cast Pendant - Oblong	10
Cast Pendant - Components	11
Circus 250 Pendant - Black	12
Circus 250 Pendant - Brass	13
Circus 500 Pendant - Black	14
Circus 500 Pendant - Brass	15
Circus 750 Pendant - Black	16
Circus 750 Pendant - Brass	17
Cross Pendant	18
Foundry Floor Light	19
Fulcrum Table Light	20
Ghost Pendant	21
Ghost Pendant Clusters	22
Ghost Floor Light	23
Ghost Table Light	24
Hex 500 Pendant	25
Hex 750 Pendant	26
Hex 1000 Pendant	27
Oud Lamp	28
Parison Pendant	29
Phase Pendant Small	30
Phase Pendant Large	31
Phase Table Light	32
Phgase Wall Sconce	33
Spar Floor Light	34
Tri Pendant	35
Drivers & Dimmers	36

FURNITURE

Jiro Dining Chair - Stackable	38
Jiro Dining Chair - Upholstered	39
Jiro Bar Stool	40
Jiro Bar Stool - Upholstered	41
Jiro Counter Stool	42
Jiro Counter Stool - Upholstered	43
Jiro Swivel Chair	44
Jiro Swivel Chair with Casters	45
Jiro Swivel Chair - Upholstered	46
Jiro Swivel Chair with Casters - Upholstered	47

FURNITURE CONTINUED

Odin Chair - Black	48
Odin Chair - Natural	49
Offset Bench	50
Offset Coffee Table	51
Offset Dining Table	52
Offset Shelf Small - 1 Tier	54
Offset Shelf Small - 2 Tier	55
Offset Shelf Large - 1 Tier	56
Offset Shelf Large - 2 Tier	57
Offset Stool / Side Table	58
Passenger Chair	59
Pier Chair	60
Pier Counter Stool	61
Pier Bar Stool	62
Plane Coffee Table	63
Plane Dining Table - Round 1200	64
Plane Dining Table - Round 1400	65
Plane Dining Table - Round 1600	66
Plane Dining Table - Rectangle	67
Tangerine Chair	67
Tangerine Stool	70
Tangerine Stool with Back	71

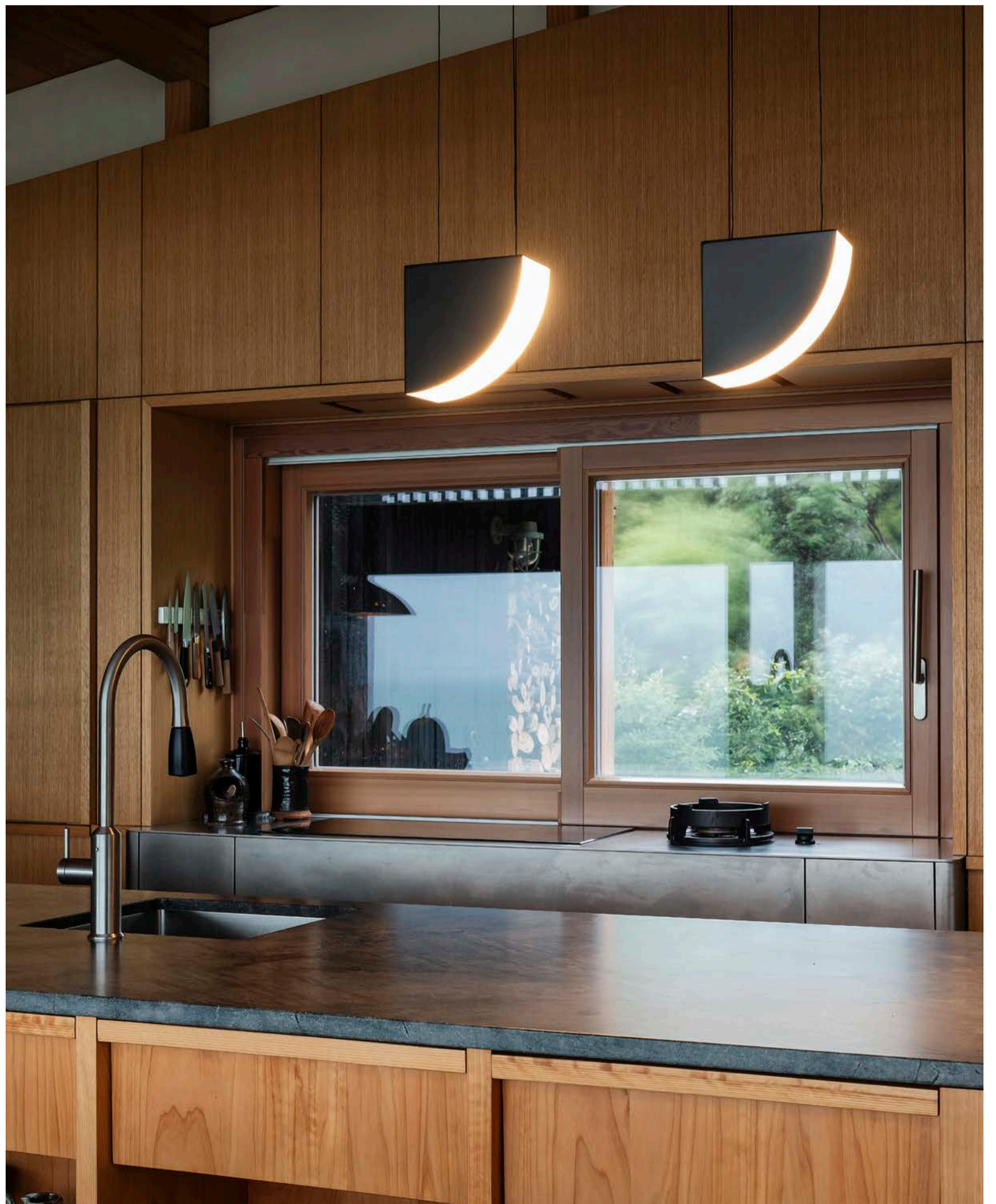
UPHOLSTERY

Arcade Sofa	73
Isabella Chair	75
Kashmir Chair	76
Kashmir Counter Stool	77
Kashmir Bar Stool	78
Pick Up Sticks Chair	79
Sacha Chair	80
Sacha Lounge Chair	81
Sacha 2 Seater Sofa	82
Sacha 3 Seater Sofa	83
Fabric Information	84

RESOURCES

Ordering Upholstery	86
Terms & Conditions	87
Shipping Terms & Contacts	88
Tools	89

LIGHTING



Resident

Bloom Pendant Small

Tim Rundle | 2017

The Bloom Pendant's super-elliptical form is inspired by the gentle dynamic flow of paper lanterns. Transparency and light create a glorious lit effect through the use of two contrasting materials – a finely perforated mesh core and frosted blown glass – which combine to project a soft-focus texture onto the inside of the shade.

At the same time, an unobstructed pool of light is projected downwards onto objects below. Bloom's distinct character is evident both in its on and off state, creating a versatile pendant light.

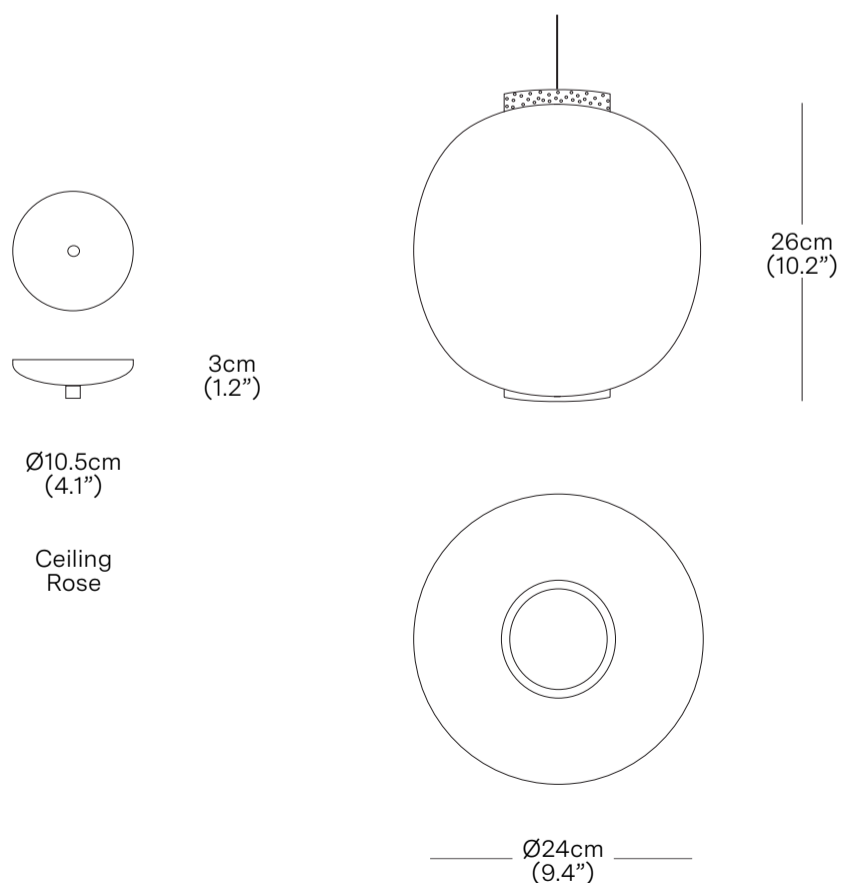
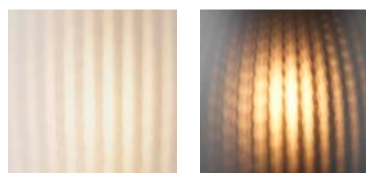


MATERIALS Glass, Stainless Steel
CEILING ROSE Matt Black
PRODUCT ENVIRONMENT Indoor Use Only
CONTRACT USE Yes
CERTIFICATION CE, RCM, ETL
WARRANTY 3 years
COUNTRY OF ORIGIN China

CODE	PRODUCT	PRICE
BLM001	Bloom Pendant Small - White	€599
BLM002	Bloom Pendant Small - Black	€599

LIGHT SOURCE E27 LED Bulb
VOLTAGE 220-240V
POWER USAGE 5W (40W equiv)
LUMENS 470lm
COLOUR TEMP 2700k
CRI 90
LIFESPAN 15,000 Hrs
CABLE Min 30 cm (12 in) - Max 200 cm (78 in)
DIMMING Dimmable and comes standard with a dimmable LED bulb.

FINISHES white/nickel black/black	PRODUCT WEIGHT 1.5 kg (3.3 lbs)
--	---



PACKAGED DIMENSIONS		
L x W x H	Cubage	Weight
Box 1		
40 x 34 x 42 cm	0.06 m ³	3.3 kg
15.7 x 13.4 x 16.5 in	2.1 ft ³	7.3 lbs

COMMODITY CODE	94052090
----------------	----------

* Components drawn in relative scale. Refer to CAD files for accurate drawings.

Bloom Pendant Large

Tim Rundle | 2019

The Bloom Pendant's super-elliptical form is inspired by the gentle dynamic flow of paper lanterns. Transparency and light create a glorious lit effect through the use of two contrasting materials – a finely perforated mesh core and frosted blown glass – which combine to project a soft-focus texture onto the inside of the shade.

At the same time, an unobstructed pool of light is projected downwards onto objects below. Bloom's distinct character is evident both in its on and off state, creating a versatile pendant light.

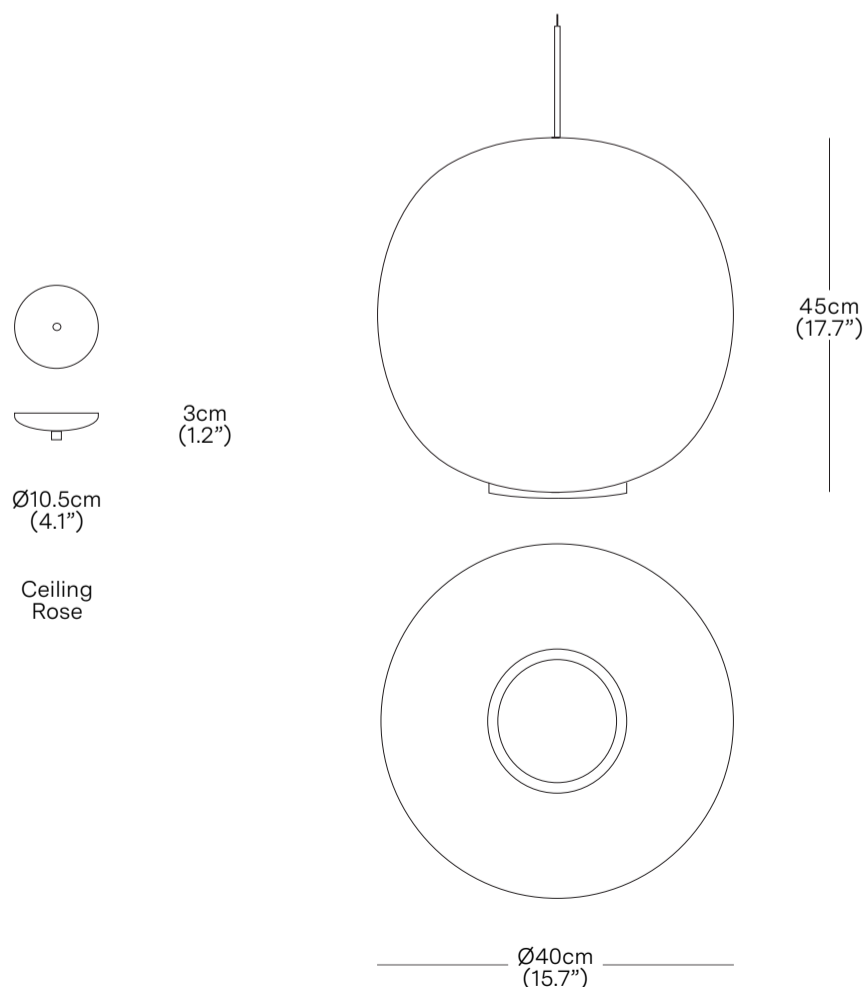
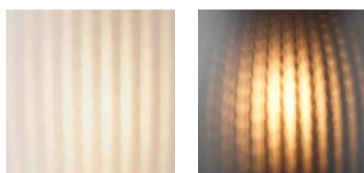


MATERIALS Glass, Stainless Steel
CEILING ROSE Matt Black
PRODUCT ENVIRONMENT Indoor Use Only
CONTRACT USE Yes
CERTIFICATION CE, RCM, ETL
WARRANTY 3 years
COUNTRY OF ORIGIN China

CODE	PRODUCT	PRICE
BLM005	Bloom Pendant Large - White	€945
BLM006	Bloom Pendant Large - Black	€945

LIGHT SOURCE E27 LED Bulb
VOLTAGE 220-240V
POWER USAGE 5W (40W equiv)
LUMENS 470lm
COLOUR TEMP 2700k
CRI 90
LIFESPAN 15,000 Hrs
CABLE Min 30 cm (12 in) - Max 200 cm (78 in)
DIMMING Dimmable and comes standard with a dimmable LED bulb.

FINISHES white/nickel black/black	PRODUCT WEIGHT 3.9 kg (8.6 lbs)
--	---



PACKAGED DIMENSIONS		
L x W x H	Cubage	Weight
Box 1		
52 x 52 x 57 cm	0.15 m ³	6.7 kg
20.5 x 20.5 x 22.4 in	5.3 ft ³	14.8 lbs
COMMODITY CODE	94052090	

* Components drawn in relative scale. Refer to CAD files for accurate drawings.

Bloom Table Light



Tim Rundle | 2018

The Bloom Table Light's super-elliptical form is inspired by the gentle dynamic flow of paper lanterns. Its glorious lit effect is the result of transparency and light. Two contrasting materials – a finely perforated mesh core and frosted blown glass, combine to project a soft focus texture onto the inside of the shade.

Sitting atop a plated stainless steel base, Bloom's distinct character is evident both in its on and off state, creating a versatile table light.

MATERIALS

Glass, Stainless Steel

PRODUCT ENVIRONMENT

Indoor Use Only

CONTRACT USE

Yes

CERTIFICATION

CE, RCM, ETL

WARRANTY

3 years

COUNTRY OF ORIGIN

China

CODE

BLM003

BLM004

PRODUCT

Bloom Table Light - White

Bloom Table Light - Black

PRICE

€624

€624

LIGHT SOURCE

E27 LED Bulb

VOLTAGE

220-240V

POWER USAGE

5W (40W equiv)

LUMENS

470lm

COLOUR TEMP

2700k

CRI

90

LIFESPAN

15,000 Hrs

CABLE

280 cm (110.2 in)

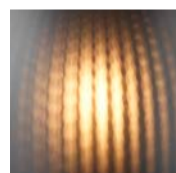
DIMMING

Prewired with an in-line dimming switch and comes standard with a dimmable LED bulb.

FINISHES

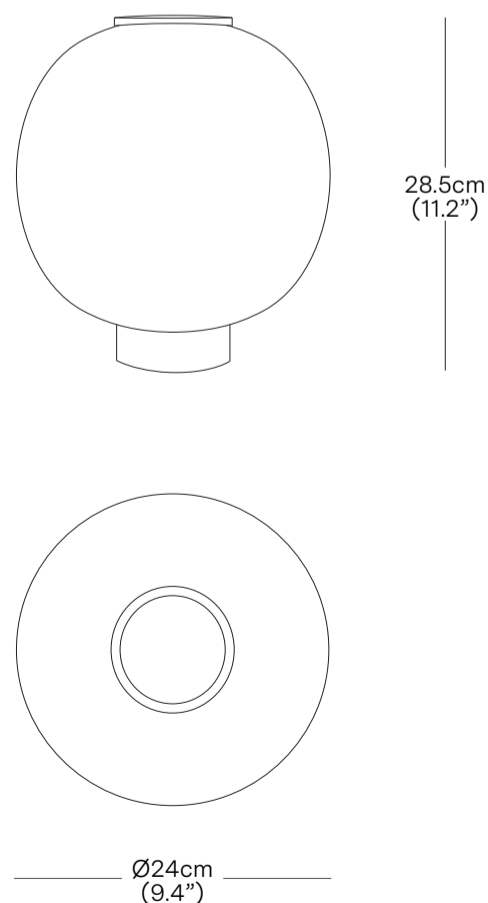
white/nickel

black/black



PRODUCT WEIGHT

1.92 kg (4.2 lbs)



PACKAGED DIMENSIONS

L x W x H	Cubage	Weight
Box 1		
38 x 36 x 36 cm	0.05 m ³	3.15 kg
15 x 14.2 x 14.2 in	1.8 ft ³	6.9 lbs

COMMODITY CODE

94052090

* Components drawn in relative scale. Refer to CAD files for accurate drawings.

Bloom Floor Light



Tim Rundle | 2019

The Bloom Floor Light's super-elliptical form is inspired by the gentle dynamic flow of paper lanterns. Its glorious lit effect is the result of transparency and light. Two contrasting materials – a finely perforated mesh core and frosted blown glass, combine to project a soft focus texture onto the inside of the shade.

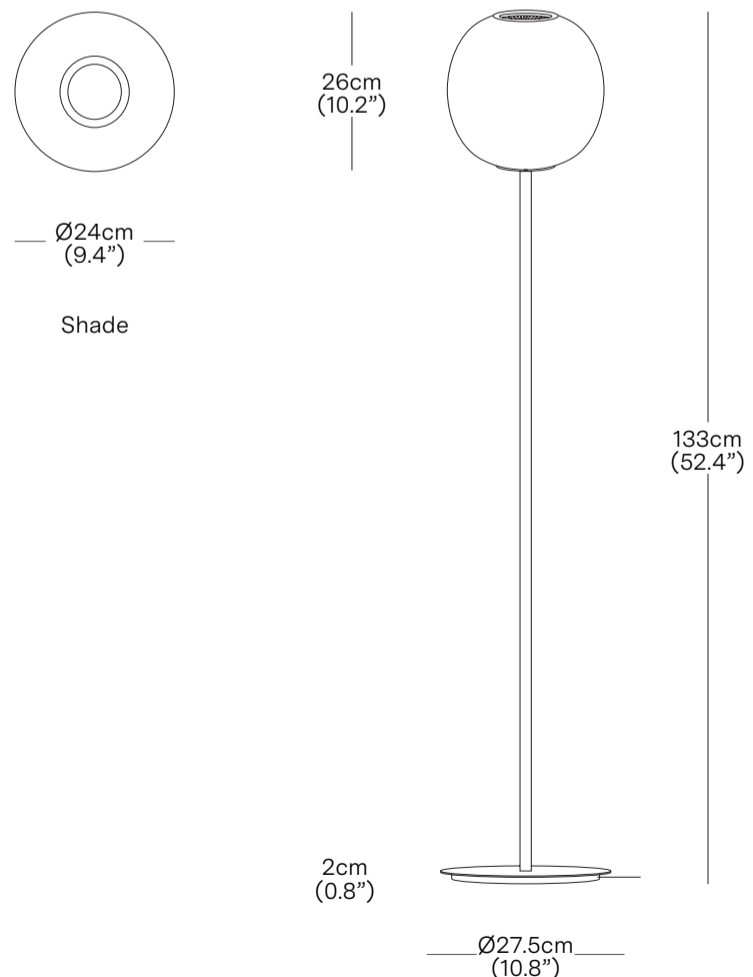
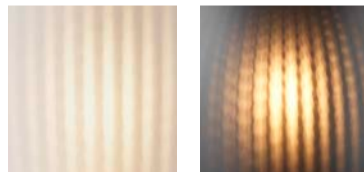
Combined with the contrast of a matt black floor stand, Blooms distinctive character is evident both in its on and off state, creating a versatile, value for money floor light.

MATERIALS
Glass, Steel
PRODUCT ENVIRONMENT
Indoor Use Only
CONTRACT USE
Yes
CERTIFICATION
CE, RCM, ETL
WARRANTY
3 years
COUNTRY OF ORIGIN
China

CODE	PRODUCT	PRICE
BLM007	Bloom Floor Light - White	€1071
BLM008	Bloom Floor Light - Black	€1071

LIGHT SOURCE
E27 LED Bulb
VOLTAGE
220-240V
POWER USAGE
5W (40W equiv)
LUMENS
470lm
COLOUR TEMP
2700k
CRI
90
LIFESPAN
15,000 Hrs
CABLE
300 cm (118 in)
DIMMING
Prewired with an in-line dimming switch and comes standard with a dimmable LED bulb.

FINISHES	PRODUCT WEIGHT
white/nickel black/black	7.9 kg (17.4 lbs)



* Components drawn in relative scale. Refer to CAD files for accurate drawings.

PACKAGED DIMENSIONS		
L x W x H	Cubage	Weight
Shade		
35 x 39 x 43 cm	0.06 m3	2.8 kg
13.8 x 15.4 x 16.9 in	2.12 ft3	6.2 lbs
Base		
34 x 34 x 124cm	0.14 m3	9.1 kg
13.4 x 13.4 x 48.8 in	4.94 ft3	20.1 lbs
COMMODITY CODE	94052090	

Cast Pendant - Straight



Philippe Malouin | 2019

Cast is a large modular pendant lighting system made from fibreglass. With the option of combining pre-cast straight and corner pieces, this pendant light can exist in many varieties of form and size.

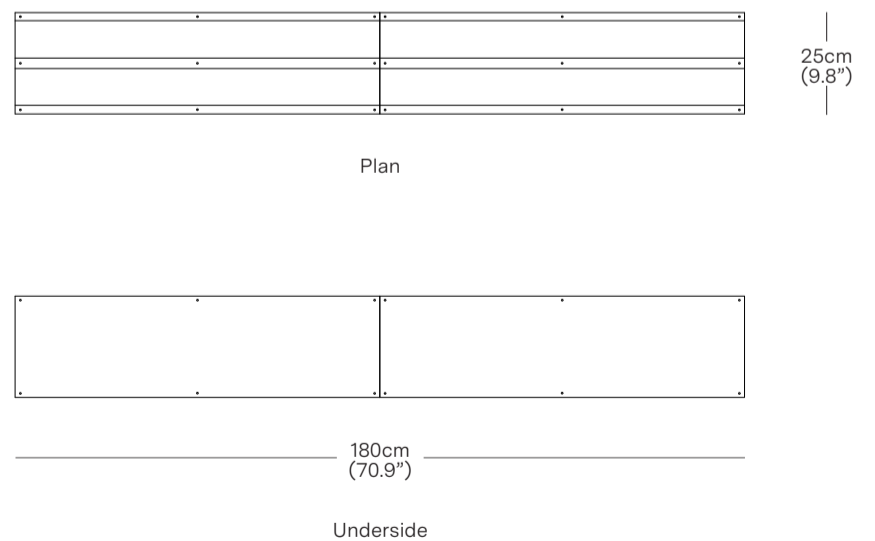
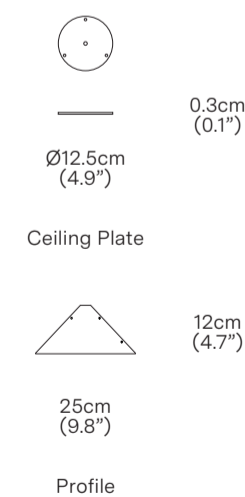
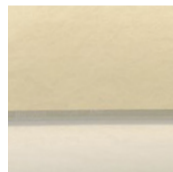
Cast is durable, lightweight and manufactured from specially formulated “clean” resins to deliver advanced transparency and an optically superior experience. Combining the depth and texture of fibre reinforced polymers with a warm LED light source, Cast is a bold and confident statement piece.

MATERIALS
Fibre Glass, Resin
CEILING PLATE
Matt Black (qty 2)
PRODUCT ENVIRONMENT
Indoor Use Only
CONTRACT USE
Yes
CERTIFICATION
CE
WARRANTY
3 years
COUNTRY OF ORIGIN
New Zealand

CODE	PRODUCT	PRICE
CAS001	Cast Pendant - Straight	€7260

LIGHT SOURCE
Integrated LED
VOLTAGE
24V
POWER USAGE
44W
LUMENS
2520lm
COLOUR TEMP
2800k
CRI
95
LIFESPAN
50,000 Hrs
CABLE
Min 30 cm (12 in) - Max 200 cm (78 in)
DIMMING
Dimmable as standard and comes with a Phase Cut Dimmable Driver that is to be installed into the ceiling cavity. *Alternative dimmer/drivers, pg 36

FINISHES	PRODUCT WEIGHT
fibre glass	4.8 kg (10.6 lbs)



PACKAGED DIMENSIONS		
L x W x H	Cubage	Weight
Box 1		
200 x 30 x 21 cm	0.13 m3	20 kg
78.7 x 11.8 x 8.3 in	4.6 ft3	44.1 lbs

COMMODITY CODE	94052090
-----------------------	----------

* Components drawn in relative scale. Refer to CAD files for accurate drawings.

Cast Pendant - Round



Philippe Malouin | 2019

Cast is a large modular pendant lighting system made from fibreglass. With the option of combining pre-cast straight and corner pieces, this pendant light can exist in many varieties of form and size.

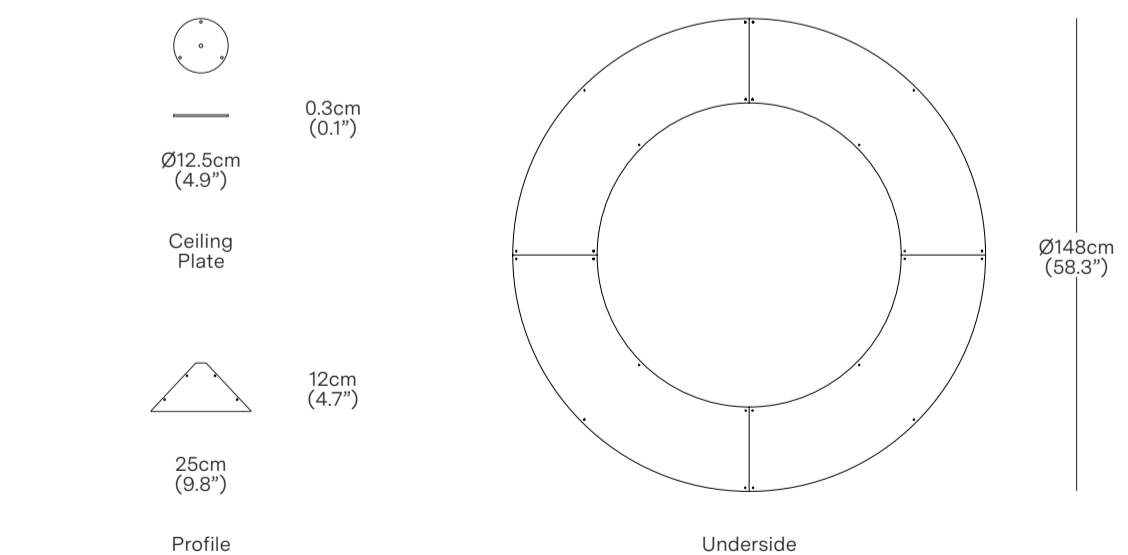
Cast is durable, lightweight and manufactured from specially formulated “clean” resins to deliver advanced transparency and an optically superior experience. Combining the depth and texture of fibre reinforced polymers with a warm LED light source, Cast is a bold and confident statement piece.

MATERIALS Fibre Glass, Resin	CODE CAS002	PRODUCT Cast Pendant - Round	PRICE €14520
CEILING PLATE Matt Black (qty 4)			
PRODUCT ENVIRONMENT Indoor Use Only			
CONTRACT USE Yes			
CERTIFICATION CE			
WARRANTY 3 years			
COUNTRY OF ORIGIN New Zealand			

LIGHT SOURCE Integrated LED	FINISHES fibre glass	PRODUCT WEIGHT 11.6 kg (25.6 lbs)
VOLTAGE 24V		
POWER USAGE 87W		
LUMENS 5040lm		
COLOUR TEMP 2800k		
CRI 95		
LIFESPAN 50,000 Hrs		
CABLE Min 30 cm (12 in) - Max 200 cm (78 in)		
DIMMING Dimmable as standard and comes with a Phase Cut Dimmable Driver that is to be installed into the ceiling cavity. *Alternative dimmer/drivers, pg 36		

PACKAGED DIMENSIONS		
L x W x H	Cubage	Weight
Box 1		
160 x 160 x 21 cm	0.54 m3	30 kg
63 x 63 x 8.3 in	19.1 ft3	66.2 lbs

COMMODITY CODE 94052090



* Components drawn in relative scale. Refer to CAD files for accurate drawings.

Cast Pendant - Oblong



Philippe Malouin | 2019

Cast is a large modular pendant lighting system made from fibreglass. With the option of combining pre-cast straight and corner pieces, this pendant light can exist in many varieties of form and size.

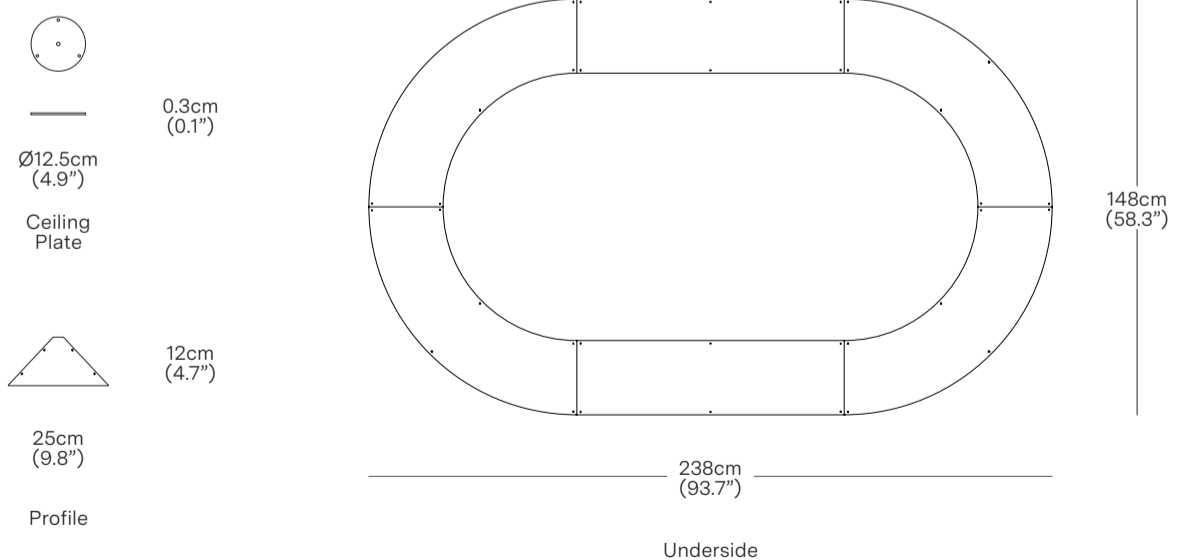
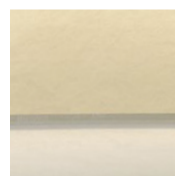
Cast is durable, lightweight and manufactured from specially formulated "clean" resins to deliver advanced transparency and an optically superior experience. Combining the depth and texture of fibre reinforced polymers with a warm LED light source, Cast is a bold and confident statement piece.

MATERIALS Fibre Glass, Resin
CEILING PLATE Matt Black (qty 4)
PRODUCT ENVIRONMENT Indoor Use Only
CONTRACT USE Yes
CERTIFICATION CE
WARRANTY 3 years
COUNTRY OF ORIGIN New Zealand

CODE CAS003	PRODUCT Cast Pendant - Oblong	PRICE €21780
-----------------------	---	------------------------

LIGHT SOURCE Integrated LED
VOLTAGE 24V
POWER USAGE 130W
LUMENS 7560lm
COLOUR TEMP 2800k
CRI 95
LIFESPAN 50,000 Hrs
CABLE Min 30 cm (12 in) - Max 200 cm (78 in)
DIMMING Dimmable as standard and comes with a Phase Cut Dimmable Driver that is to be installed into the ceiling cavity. *Alternative dimmer/drivers, pg 36

FINISHES fibre glass	PRODUCT WEIGHT 15.4 kg (34 lbs)
--------------------------------	---



PACKAGED DIMENSIONS		
L x W x H	Cubage	Weight
Box 1		
160 x 260 x 21 cm	0.87 m3	70 kg
63 x 102.4 x 8.3 in	30.7 ft3	154.4 lbs

COMMODITY CODE	94052090
-----------------------	----------

* Components drawn in relative scale. Refer to CAD files for accurate drawings.

Cast Pendant Components

Philippe Malouin | 2019

Cast is a large modular pendant lighting system made from fibreglass. With the option of combining pre-cast straight and corner pieces, this pendant light can exist in many varieties of form and size.

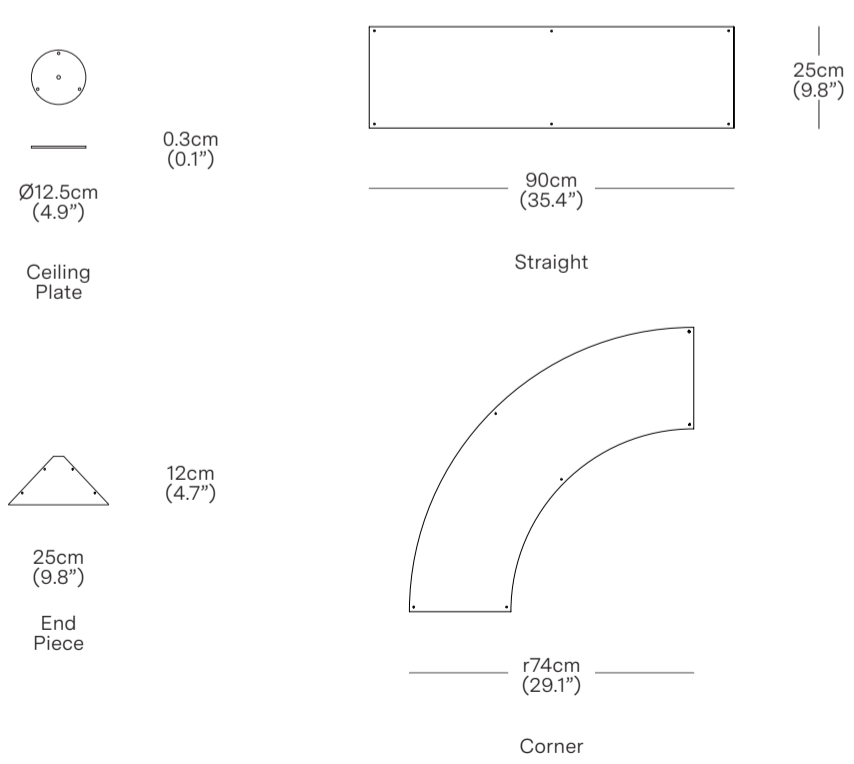
Cast is durable, lightweight and manufactured from specially formulated “clean” resins to deliver advanced transparency and an optically superior experience. Combining the depth and texture of fibre reinforced polymers with a warm LED light source, Cast is a bold and confident statement piece.



MATERIALS Fibre Glass, Resin	CODE CAS01C	PRODUCT Cast Pendant - Corner Component	PRICE €3630
CEILING PLATE Matt Black (qty dependent on configuration)	CAS01S	Cast Pendant - Straight Component	€3630
PRODUCT ENVIRONMENT Indoor Use Only			
CONTRACT USE Yes			
CERTIFICATION CE			
WARRANTY 3 years			
COUNTRY OF ORIGIN New Zealand			

LIGHT SOURCE Integrated LED	FINISHES fibre glass	PRODUCT WEIGHT Corner: 2.9 kg (6.4 lbs) Straight: 2.5 kg (5.5 lbs)
VOLTAGE 24V		
POWER USAGE 21.6W		
LUMENS 1260lm		
COLOUR TEMP 2800k		
CRI 95		
LIFESPAN 50,000 Hrs		
CABLE Min 30 cm (12 in) - Max 200 cm (78 in)		
DIMMING Dimmable as standard and comes with a Phase Cut Dimmable Driver that is to be installed into the ceiling cavity. *Alternative dimmer/drivers, pg 36		

PACKAGED DIMENSIONS		
L x W x H	Cubage	Weight
Corner Component		
90 x 90 x 21 cm	0.17 m3	15 kg
35.4 x 35.4 x 8.3 in	6 ft3	33.1 lbs
Straight Component		
100 x 30 x 21 cm	0.06 m3	15 kg
39.4 x 11.8 x 8.3 in	2.1 ft3	33.1 lbs
COMMODITY CODE	94052090	



* Components drawn in relative scale. Refer to CAD files for accurate drawings.

Circus 250 Pendant - Black



Resident Studio | 2021

Circus is a remarkable system of interconnected rings which can be arranged in sequence to create striking vertical decoration. Each ring projects an elegantly diffused warm LED light source outwards around a 360 degree plane.

A revolutionary plug and play system allows for power sharing between rings and a large range of variations to suit spaces of various shapes and sizes. Circus is a theatrical and truly flexible system, ideal for both commercial and residential environments.

MATERIALS
Aluminium, Acrylic
CEILING ROSE
Matt Black Aluminium
PRODUCT ENVIRONMENT
Indoor Use Only
CONTRACT USE
Yes
CERTIFICATION
CE
WARRANTY
3 years
COUNTRY OF ORIGIN
New Zealand

CODE	PRODUCT	PRICE
CIR012B	Circus 250 Pendant, 2 Rings Black	€2376
CIR013B	Circus 250 Pendant, 3 Rings Black	€3168
CIR014B	Circus 250 Pendant, 4 Rings Black	€3960
CIR015B	Circus 250 Pendant, 5 Rings Black	€4752
CIR016B	Circus 250 Pendant, 6 Rings Black	€5676
CIR017B	Circus 250 Pendant, 7 Rings Black	€6468
CIR018B	Circus 250 Pendant, 8 Rings Black	€7260
CIR019B	Circus 250 Pendant, 9 Rings Black	€8052
CIR020B	Circus 250 Pendant, 10 Rings Black	€8844
CIR021B	Circus 250 Pendant, 11 Rings Black	€9636

LIGHT SOURCE
Integrated LED
VOLTAGE
24V
POWER USAGE
19.2W Per Ring
LUMENS
2304lm Per Ring
COLOUR TEMP
3000k
CRI
95
LIFESPAN
50,000 Hrs
CABLE
Min 30 cm (12 in) - Max 500 cm (196.9in)
DIMMING
2-9 Rings is dimmable as standard with a 0-10V receiver. 10-11 Rings is not dimmable as standard.
*Alternative dimmer/drivers, pg 36

FINISHES

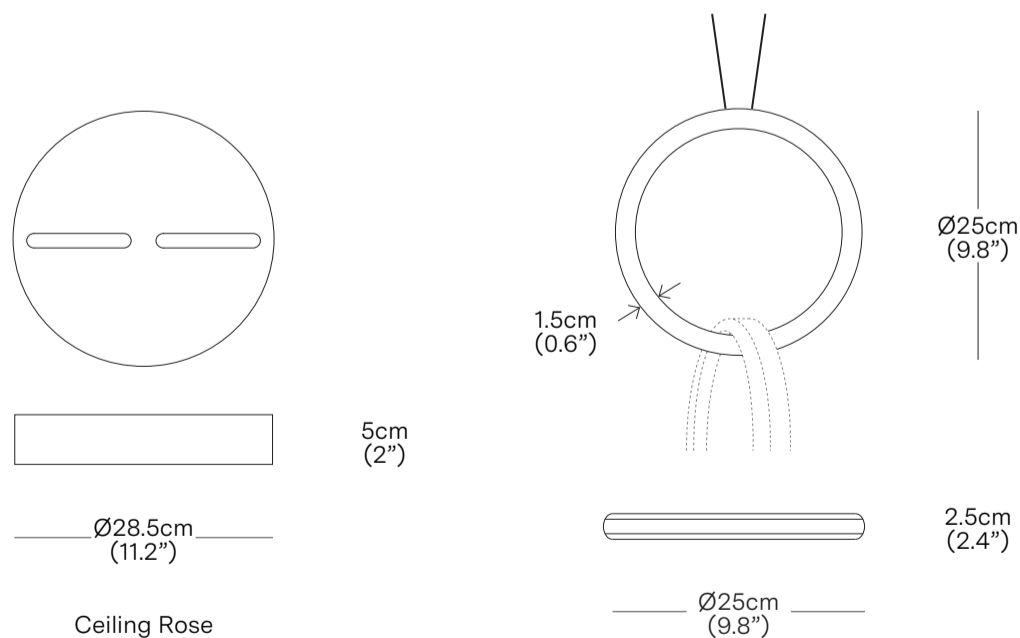
black



PRODUCT WEIGHT

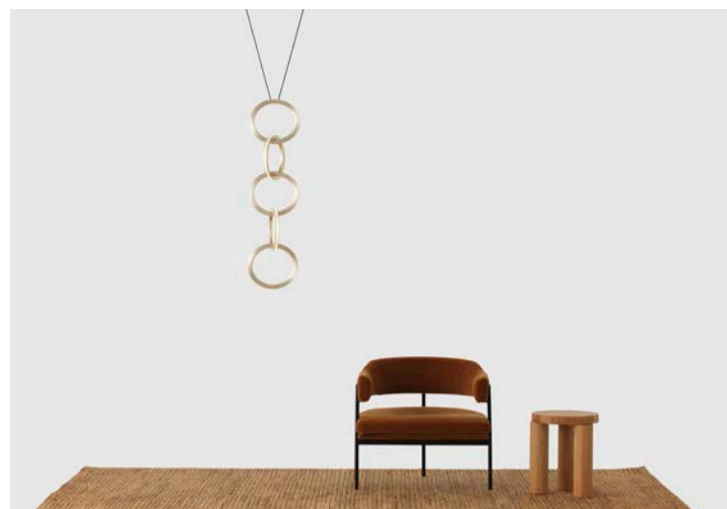
2 Rings: 3.5 kg (7.7 lbs)
11 Rings: 9.3 kg (20.5 lbs)

PACKAGED DIMENSIONS		
L x W x H	Cubage	Weight
2 Rings		
62 x 55 x 19 cm	0.06 m3	5.6 kg
24.4 x 21.7 x 7.5 in	2.1 ft3	12.3 lbs
11 Rings		
62 x 55 x 108.5 cm	0.37 m3	14.9 kg
24.4 x 21.7 x 42.7 in	13.1 ft3	32.9 lbs
COMMODITY CODE	94052090	



* Components drawn in relative scale. Refer to CAD files for accurate drawings.

Circus 250 Pendant - Brass



Resident Studio | 2018

Circus is a remarkable system of interconnected rings which can be arranged in sequence to create striking vertical decoration. Each ring projects an elegantly diffused warm LED light source outwards around a 360 degree plane.

A revolutionary plug and play system allows for power sharing between rings and a large range of variations to suit spaces of various shapes and sizes. Circus is a theatrical and truly flexible system, ideal for both commercial and residential environments.

MATERIALS

Brass, Acrylic

CEILING ROSE

Matt Black Aluminium

PRODUCT ENVIRONMENT

Indoor Use Only

CONTRACT USE

Yes

CERTIFICATION

CE

WARRANTY

3 years

COUNTRY OF ORIGIN

New Zealand

CODE	PRODUCT	PRICE
CIR012BR	Circus 250 Pendant, 2 Rings Brass	€2904
CIR013BR	Circus 250 Pendant, 3 Rings Brass	€3960
CIR014BR	Circus 250 Pendant, 4 Rings Brass	€5016
CIR015BR	Circus 250 Pendant, 5 Rings Brass	€5940
CIR016BR	Circus 250 Pendant, 6 Rings Brass	€6996
CIR017BR	Circus 250 Pendant, 7 Rings Brass	€8052
CIR018BR	Circus 250 Pendant, 8 Rings Brass	€9108
CIR019BR	Circus 250 Pendant, 9 Rings Brass	€10032
CIR020BR	Circus 250 Pendant, 10 Rings Brass	€11088
CIR021BR	Circus 250 Pendant, 11 Rings Brass	€12144

LIGHT SOURCE

Integrated LED

VOLTAGE

24V

POWER USAGE

19.2W Per Ring

LUMENS

2304lm Per Ring

COLOUR TEMP

3000k

CRI

95

LIFESPAN

50,000 Hrs

CABLE

Min 30 cm (12 in) - Max 500 cm (196.9in)

DIMMING

2-9 Rings is dimmable as standard with a 0-10V receiver. 10-11 Rings is not dimmable as standard.

*Alternative dimmer/drivers, pg 36

FINISHES

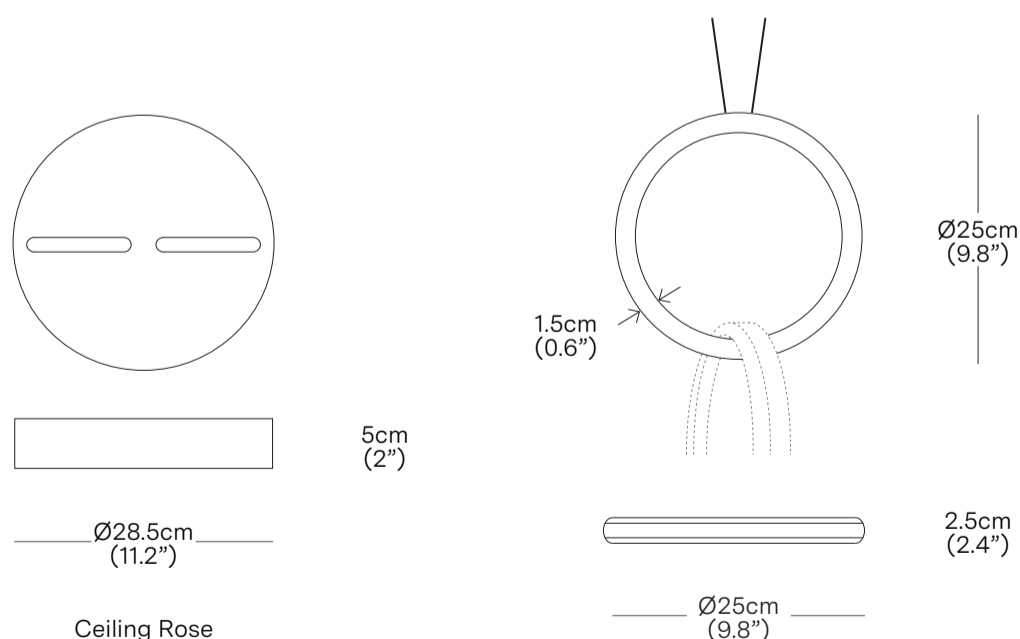
brass



PRODUCT WEIGHT

2 Rings: 3.5 kg (7.7 lbs)

11 Rings: 9.8 kg (21.6 lbs)

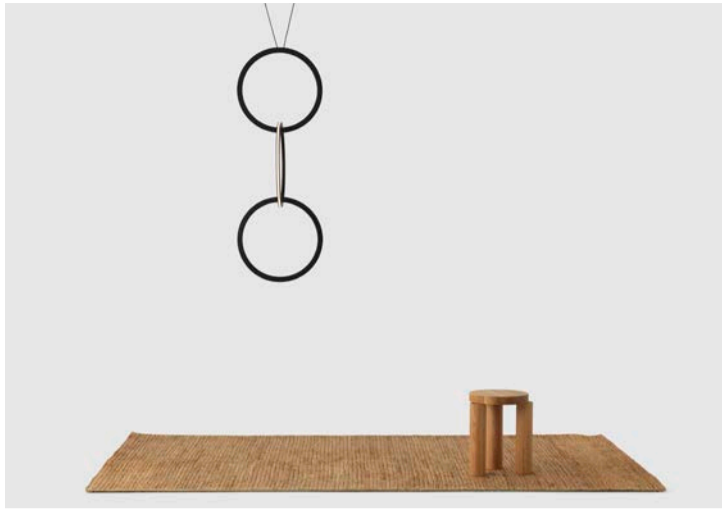


PACKAGED DIMENSIONS

L x W x H	Cubage	Weight
2 Rings		
62 x 55 x 19 cm	0.06 m ³	6.1 kg
24.4 x 21.7 x 7.5 in	2.1 ft ³	13.5 lbs
11 Rings		
62 x 55 x 108.5 cm	0.37 m ³	15.4 kg
24.4 x 21.7 x 42.7 in	13.1 ft ³	34 lbs
COMMODITY CODE	94052090	

* Components drawn in relative scale. Refer to CAD files for accurate drawings.

Circus 500 Pendant - Black



Resident Studio | 2021

Circus is a remarkable system of interconnected rings which can be arranged in sequence to create striking vertical decoration. Each ring projects an elegantly diffused warm LED light source outwards around a 360 degree plane.

A revolutionary plug and play system allows for power sharing between rings and a large range of variations to suit spaces of various shapes and sizes. Circus is a theatrical and truly flexible system, ideal for both commercial and residential environments.

MATERIALS
Aluminium, Acrylic
CEILING ROSE
Matt Black Aluminium
PRODUCT ENVIRONMENT
Indoor Use Only
CONTRACT USE
Yes
CERTIFICATION
CE
WARRANTY
3 years
COUNTRY OF ORIGIN
New Zealand

CODE	PRODUCT	PRICE
CIR022B	Circus 500 Pendant, 2 Rings Black	€4224
CIR023B	Circus 500 Pendant, 3 Rings Black	€6072
CIR024B	Circus 500 Pendant, 4 Rings Black	€7920
CIR025B	Circus 500 Pendant, 5 Rings Black	€9636
CIR026B	Circus 500 Pendant, 6 Rings Black	€11484

LIGHT SOURCE
Integrated LED
VOLTAGE
24V
POWER USAGE
38.4W Per Ring
LUMENS
4608lm Per Ring
COLOUR TEMP
3000k
CRI
95
LIFESPAN
50,000 Hrs
CABLE
Min 30 cm (12 in) - Max 500 cm (196.9 in)
DIMMING
2-3 Rings is dimmable as standard with a 0-10V receiver. 5-6 Rings is not dimmable as standard.
*Alternative dimmer/drivers, pg 36

FINISHES

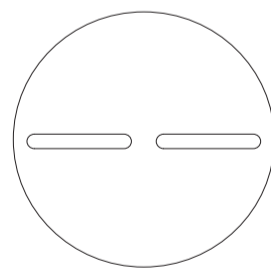
black



PRODUCT WEIGHT

2 Rings: 6.2 kg (13.7 lbs)
6 Rings: 15.4 kg (34 lbs)

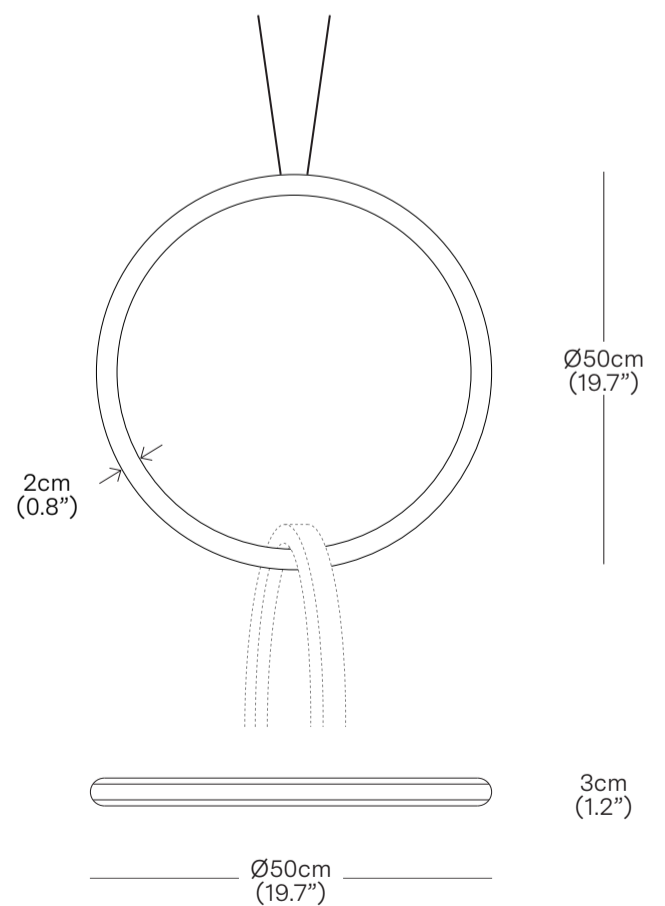
PACKAGED DIMENSIONS		
L x W x H	Cubage	Weight
2 Rings		
62 x 55 x 9.5 cm	0.03 m3	9.5 kg
24.4 x 21.7 x 3.7 in	1.1 ft3	20.9 lbs
6 Rings		
62 x 55 x 57 cm	0.19 m3	22.7 kg
24.4 x 21.7 x 22.4 in	6.7 ft3	50.1 lbs
COMMODITY CODE	94052090	



Ø28.5cm
(11.2")

Ceiling Rose

5cm
(2")



* Components drawn in relative scale. Refer to CAD files for accurate drawings.

Circus 500 Pendant - Brass



Resident Studio | 2017

Circus is a remarkable system of interconnected rings which can be arranged in sequence to create striking vertical decoration. Each ring projects an elegantly diffused warm LED light source outwards around a 360 degree plane.

A revolutionary plug and play system allows for power sharing between rings and a large range of variations to suit spaces of various shapes and sizes. Circus is a theatrical and truly flexible system, ideal for both commercial and residential environments.

MATERIALS
Brass, Acrylic
CEILING ROSE
Matt Black Aluminium
PRODUCT ENVIRONMENT
Indoor Use Only
CONTRACT USE
Yes
CERTIFICATION
CE
WARRANTY
3 years
COUNTRY OF ORIGIN
New Zealand

CODE	PRODUCT	PRICE
CIR022BR	Circus 500 Pendant, 2 Rings Brass	€5280
CIR023BR	Circus 500 Pendant, 3 Rings Brass	€7524
CIR024BR	Circus 500 Pendant, 4 Rings Brass	€9768
CIR025BR	Circus 500 Pendant, 5 Rings Brass	€12012
CIR026BR	Circus 500 Pendant, 6 Rings Brass	€14388

LIGHT SOURCE
Integrated LED
VOLTAGE
24V
POWER USAGE
38.4W Per Ring
LUMENS
4608lm Per Ring
COLOUR TEMP
3000k
CRI
95
LIFESPAN
50,000 Hrs
CABLE
Min 30 cm (12 in) - Max 500 cm (196.9 in)
DIMMING
2-3 Rings is dimmable as standard with a 0-10V receiver. 5-6 Rings is not dimmable as standard.
*Alternative dimmer/drivers, pg 36

FINISHES

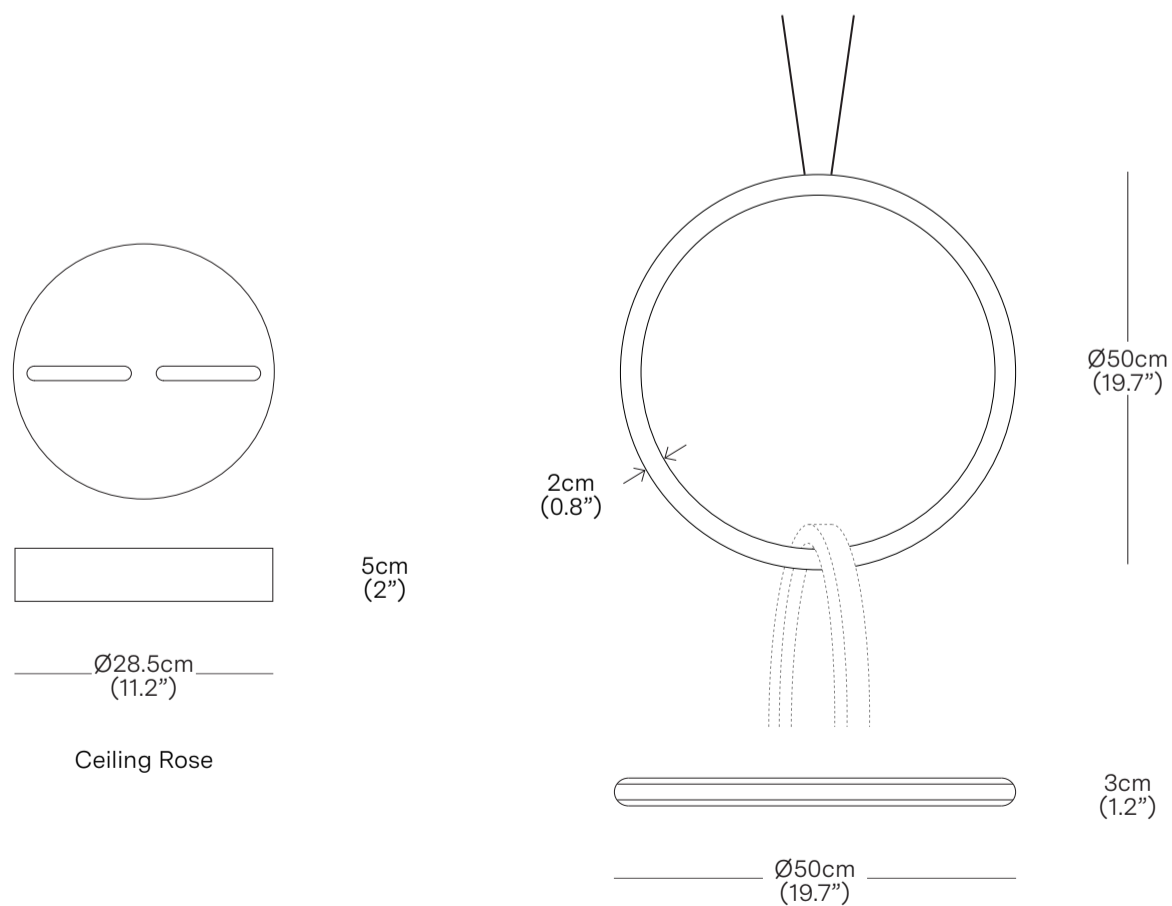
brass



PRODUCT WEIGHT

2 Rings: 6.7 kg (14.8 lbs)
6 Rings: 15.9 kg (35.1 lbs)

PACKAGED DIMENSIONS		
L x W x H	Cubage	Weight
2 Rings		
62 x 55 x 9.5 cm	0.03 m3	10 kg
24.4 x 21.7 x 3.7 in	1.1 ft3	22.1 lbs
6 Rings		
62 x 55 x 57 cm	0.19 m3	23.2 kg
24.4 x 21.7 x 22.4 in	6.7 ft3	51.2 lbs
COMMODITY CODE	94052090	



* Components drawn in relative scale. Refer to CAD files for accurate drawings.

Circus 750 Pendant - Black



Resident Studio | 2021

Circus is a remarkable system of interconnected rings which can be arranged in sequence to create striking vertical decoration. Each ring projects an elegantly diffused warm LED light source outwards around a 360 degree plane.

A revolutionary plug and play system allows for power sharing between rings and a large range of variations to suit spaces of various shapes and sizes. Circus is a theatrical and truly flexible system, ideal for both commercial and residential environments.

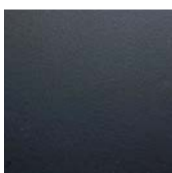
MATERIALS
Aluminium, Acrylic
CEILING ROSE
Matt Black Aluminium
PRODUCT ENVIRONMENT
Indoor Use Only
CONTRACT USE
Yes
CERTIFICATION
CE
WARRANTY
3 years
COUNTRY OF ORIGIN
New Zealand

CODE	PRODUCT	PRICE
CIR032B	Circus 750 Pendant, 2 Rings Black	€5148
CIR033B	Circus 750 Pendant, 3 Rings Black	€7788
CIR034B	Circus 750 Pendant, 4 Rings Black	€10428

LIGHT SOURCE
Integrated LED
VOLTAGE
24V
POWER USAGE
57.6W Per Ring
LUMENS
6912lm Per Ring
COLOUR TEMP
3000k
CRI
95
LIFESPAN
50,000 Hrs
CABLE
Min 30 cm (12 in) - Max 500 cm (196.9 in)
DIMMING
2-3 Rings is dimmable as standard with a 0-10V receiver. 4 Rings is not dimmable as standard.
*Alternative dimmer/drivers, pg 36

FINISHES

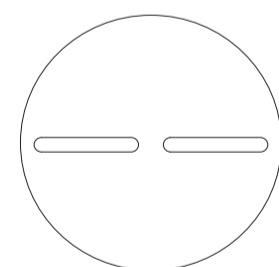
black



PRODUCT WEIGHT

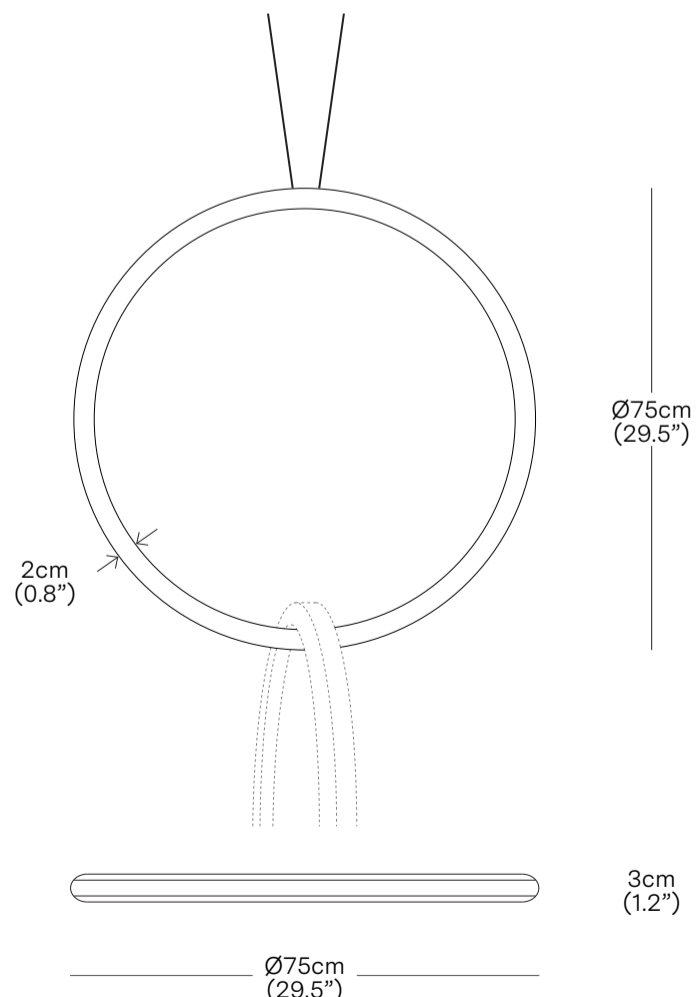
2 Rings: 9 kg (19.8 lbs)
4 Rings: 16.4 kg (36.2 lbs)

PACKAGED DIMENSIONS		
L x W x H	Cubage	Weight
2 Rings		
97 x 87 x 10 cm	0.08 m3	13.2 kg
38.2 x 34.3 x 3.9 in	2.8 ft3	29.1 lbs
4 Rings		
97 x 87 x 30 cm	0.25 m3	26.2 kg
38.2 x 34.3 x 11.8 in	8.8 ft3	57.8 lbs
COMMODITY CODE	94052090	



Ø28.5cm (11.2")

Ceiling Rose



* Components drawn in relative scale. Refer to CAD files for accurate drawings.

Circus 750 Pendant - Brass



Resident Studio | 2017

Circus is a remarkable system of interconnected rings which can be arranged in sequence to create striking vertical decoration. Each ring projects an elegantly diffused warm LED light source outwards around a 360 degree plane.

A revolutionary plug and play system allows for power sharing between rings and a large range of variations to suit spaces of various shapes and sizes. Circus is a theatrical and truly flexible system, ideal for both commercial and residential environments.

MATERIALS	Brass, Acrylic
CEILING ROSE	Matt Black Aluminium
PRODUCT ENVIRONMENT	Indoor Use Only
CONTRACT USE	Yes
CERTIFICATION	CE
WARRANTY	3 years
COUNTRY OF ORIGIN	New Zealand

CODE	PRODUCT	PRICE
CIR032BR	Circus 750 Pendant, 2 Rings Brass	€6336
CIR033BR	Circus 750 Pendant, 3 Rings Brass	€9768
CIR034BR	Circus 750 Pendant, 4 Rings Brass	€13068

LIGHT SOURCE	Integrated LED
VOLTAGE	24V
POWER USAGE	240W
LUMENS	6912lm Per Ring
COLOUR TEMP	3000k
CRI	95
LIFESPAN	50,000 Hrs
CABLE	Min 30 cm (12 in) - Max 500 cm (196.9 in)
DIMMING	2-3 Rings is dimmable as standard with a 0-10V receiver. 4 Rings is not dimmable as standard. *Alternative dimmer/drivers, pg 36

FINISHES

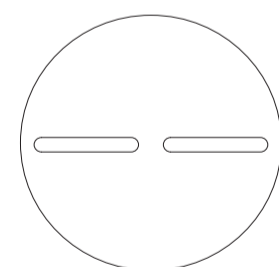
brass



PRODUCT WEIGHT

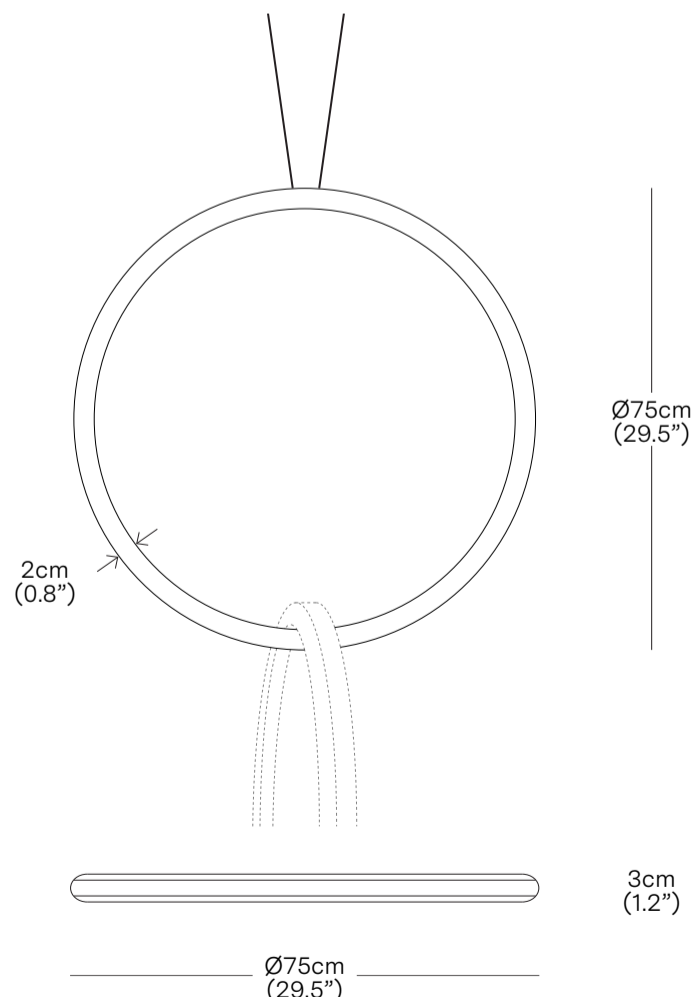
2 Rings: 9.5 kg (20.9 lbs)
4 Rings: 16.9 kg (37.3 lbs)

PACKAGED DIMENSIONS		
L x W x H	Cubage	Weight
2 Rings		
97 x 87 x 10 cm	0.08 m3	13.7 kg
38.2 x 34.3 x 3.9 in	2.8 ft3	30.2 lbs
4 Rings		
97 x 87 x 30 cm	0.25 m3	26.7 kg
38.2 x 34.3 x 11.8 in	8.8 ft3	58.9 lbs
COMMODITY CODE	94052090	



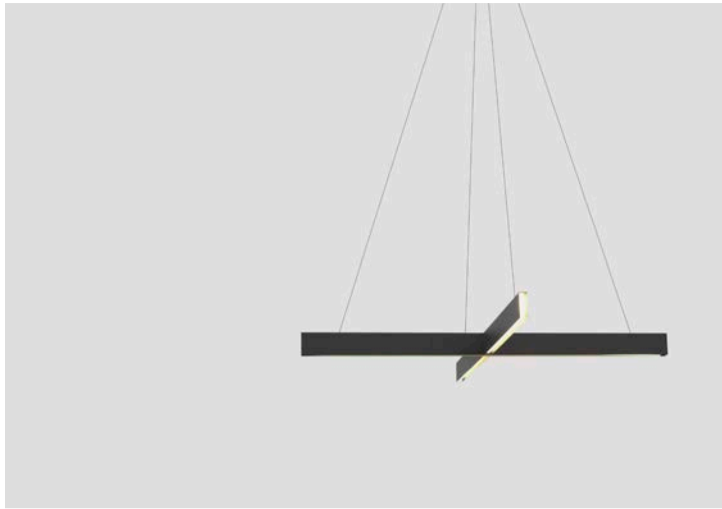
Ø28.5cm
(11.2")

Ceiling Rose



* Components drawn in relative scale. Refer to CAD files for accurate drawings.

Cross Pendant



Resident Studio | 2013

The Cross Pendant is a member of Resident's signature 'Geometric Family' that brings the beauty of mathematical precision into innovative and functional feature lighting for both the home and commercial environments.

The pendant is suspended from discreet slim line wires, with a high quality LED light source that is elegantly diffused through recessed frosted acrylic.

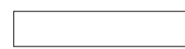
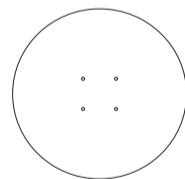
Cross works well as a single pendant, displayed in multiples or with other members of the geometric lighting family.

MATERIALS
Aluminium, Acrylic
CEILING ROSE
Matt Black Aluminium
PRODUCT ENVIRONMENT
Indoor Use Only
CONTRACT USE
Yes
CERTIFICATION
CE, cUL, UL
WARRANTY
3 years
COUNTRY OF ORIGIN
New Zealand

CODE	PRODUCT	PRICE
CRO001B	Cross Pendant - Black	€3128

LIGHT SOURCE
Integrated LED
VOLTAGE
24V
POWER USAGE
45W
LUMENS
2755lm
COLOUR TEMP
2700k
CRI
95
LIFESPAN
50,000 Hrs
CABLE
Min 30 cm (12 in) - Max 200 cm (78 in)
DIMMING
Non-dimmable as standard and comes with a 60W (non-dimmable) driver.
*Alternative dimmer/drivers, pg 36

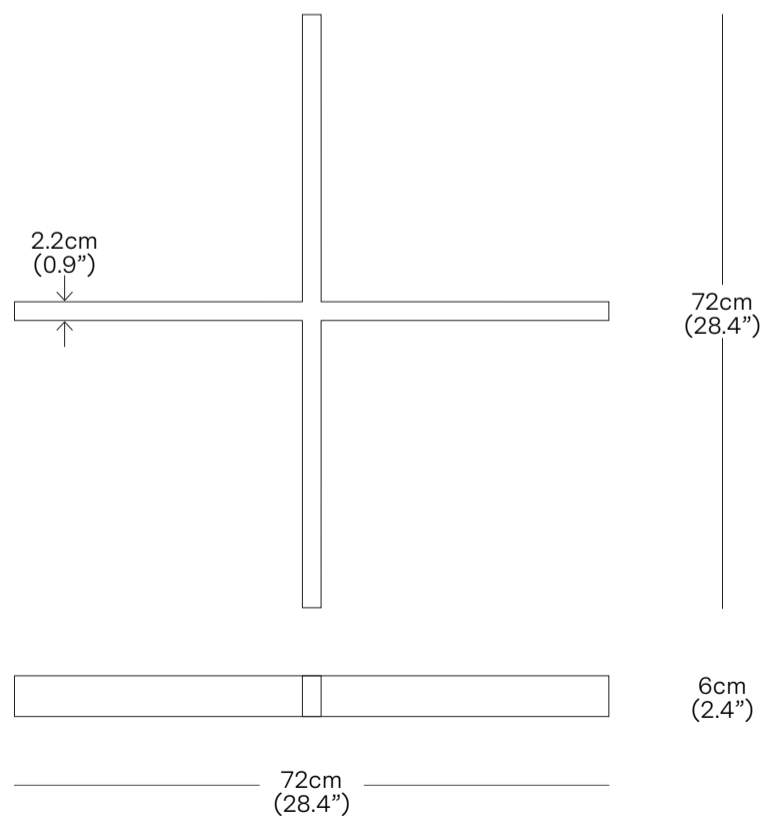
FINISHES	PRODUCT WEIGHT
black	3.3 kg (7.3 lbs)



Ø20.5cm (8.1")

Ceiling Rose

5cm (2")



PACKAGED DIMENSIONS		
L x W x H	Cubage	Weight
Box 1		
97 x 86 x 10 cm	0.08 m3	6.3 kg
38.2 x 33.9 x 3.9 in	2.8 ft3	13.9 lbs
COMMODITY CODE	94052090	

* Components drawn in relative scale. Refer to CAD files for accurate drawings.

Foundry Floor Light



Cheshire Architects | 2014

Foundry is an elegant and graphic floor light, standing 1.9 meters high and outlining a rectangular volume in space.

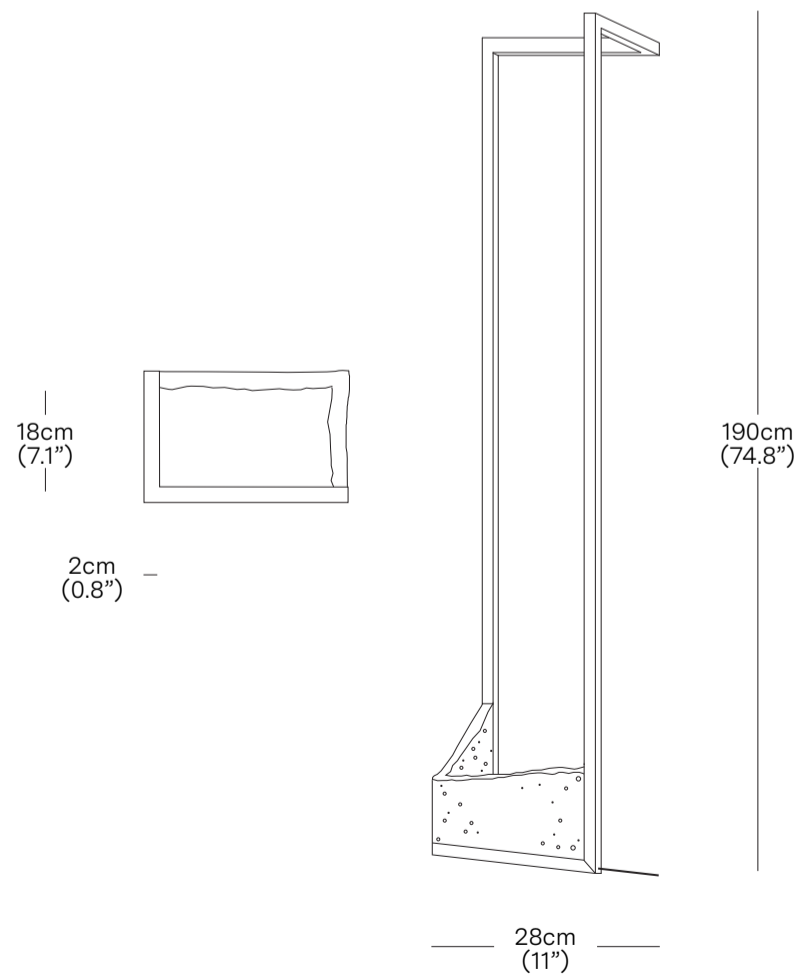
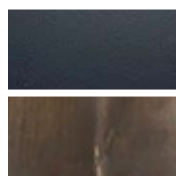
The Foundry Light is grounded by a partially polished solid bronze counterweight, which cantilevers the opposing height of the lamp. Integrated with a high quality LED light source that is elegantly diffused through frosted acrylic, Foundry confidently projects volumes of refined sophistication.

MATERIALS
Bronze, Aluminium, Acrylic
PRODUCT ENVIRONMENT
Indoor Use Only
CONTRACT USE
Yes
CERTIFICATION
CE
WARRANTY
3 years
COUNTRY OF ORIGIN
New Zealand

CODE	PRODUCT	PRICE
FOU001	Foundry Floor Light	€3762

LIGHT SOURCE
Integrated LED
VOLTAGE
24V
POWER USAGE
10W
LUMENS
668lm
COLOUR TEMP
3000
CRI
95
LIFESPAN
50,000 Hrs
CABLE
250 cm (98.4 in)
DIMMING
Non-dimmable as standard and comes with a 12W 24V (non-dimmable) driver.

FINISHES	PRODUCT WEIGHT
black/bronze	12 kg (26.5 lbs)



* Components drawn in relative scale. Refer to CAD files for accurate drawings.

PACKAGED DIMENSIONS		
L x W x H	Cubage	Weight
Box 1		
227.5 x 45.5 x 41.5 cm	0.43 m3	15.1 kg
89.6 x 17.9 x 16.3 in	15.2 ft3	33.3 lbs
COMMODITY CODE	94052090	

Fulcrum Table Light



Cheshire Architects | 2019

The Fulcrum Lamp is the modern re-expression of an archetype, with a free formed silhouette and a pivotal shade that allows the lamp to take on new form from every angle.

Fulcrum's shade can be rotated with the gentle sweep of a finger. Raising the light output from a soft glow to full brightness as the shade pivots through a seamless transition of cantilevered rotations, it is composed of a Japanese paper shade and either a sand-cast silicon bronze or cork base.

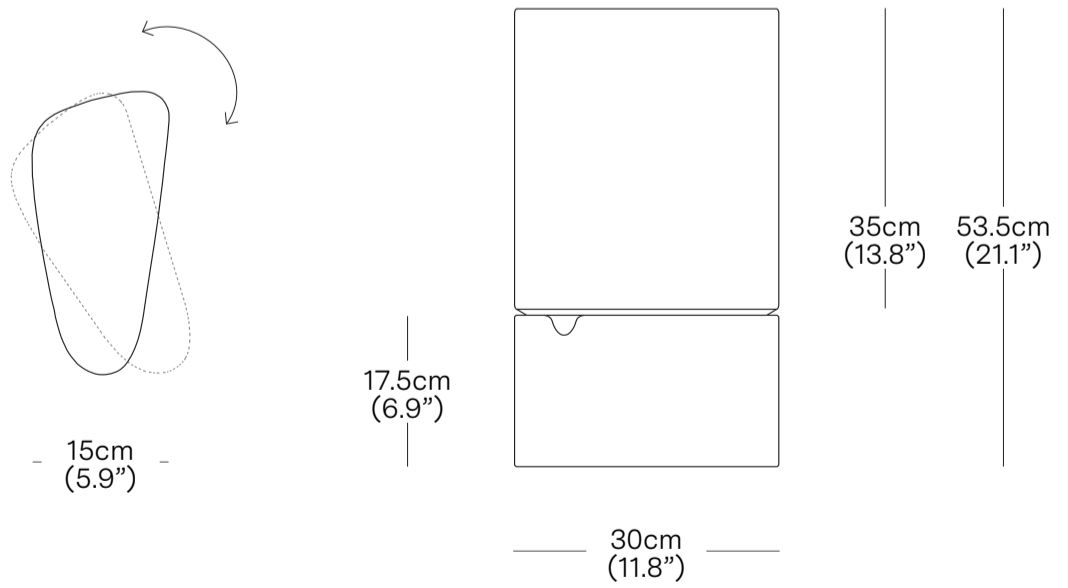
MATERIALS
Bronze or Cork, Paper
PRODUCT ENVIRONMENT
Indoor Use Only
CONTRACT USE
Yes
CERTIFICATION
CE
WARRANTY
3 years
COUNTRY OF ORIGIN
New Zealand

CODE	PRODUCT	PRICE
FUL001	Fulcrum Table Light - Bronze & Paper	€7075
FUL002	Fulcrum Table Light - Cork & Paper	€5676

LIGHT SOURCE
E27 LED Bulb
VOLTAGE
220-240V
POWER USAGE
5W (40W equiv)
LUMENS
470lm
COLOUR TEMP
2700k
CRI
90
LIFESPAN
15,000 Hrs
CABLE
280 cm (110.2in)
DIMMING
Integrated dimming system, activated by turning the shade and comes standard with a dimmable LED bulb.

FINISHES	PRODUCT WEIGHT
bronze cork	Bronze 12 kg (26.5 lbs)
	Cork: 2.6 kg (5.7 lbs)

PACKAGED DIMENSIONS		
L x W x H	Cubage	Weight
Bronze		
50 x 26 x 22 cm	0.03 m3	17.5 kg
19.7 x 10.2 x 8.7 in	1.1 ft3	38.6 lbs
Cork		
50 x 26 x 22 cm	0.03 m3	7.5 kg
19.7 x 10.2 x 8.7 in	1.1 ft3	16.5 lbs
COMMODITY CODE	94052090	



* Components drawn in relative scale. Refer to CAD files for accurate drawings.

Ghost Pendant



Resident Studio | 2022

The Ghost Pendant is a minimalist pendant light made from two pure borosilicate glass tubes. In a combination of technology and materiality, a warm LED light source shines invisibly through the glass to spectacularly illuminate the lower edges. The result is a delicate visual presence with a powerful light source for the space below.

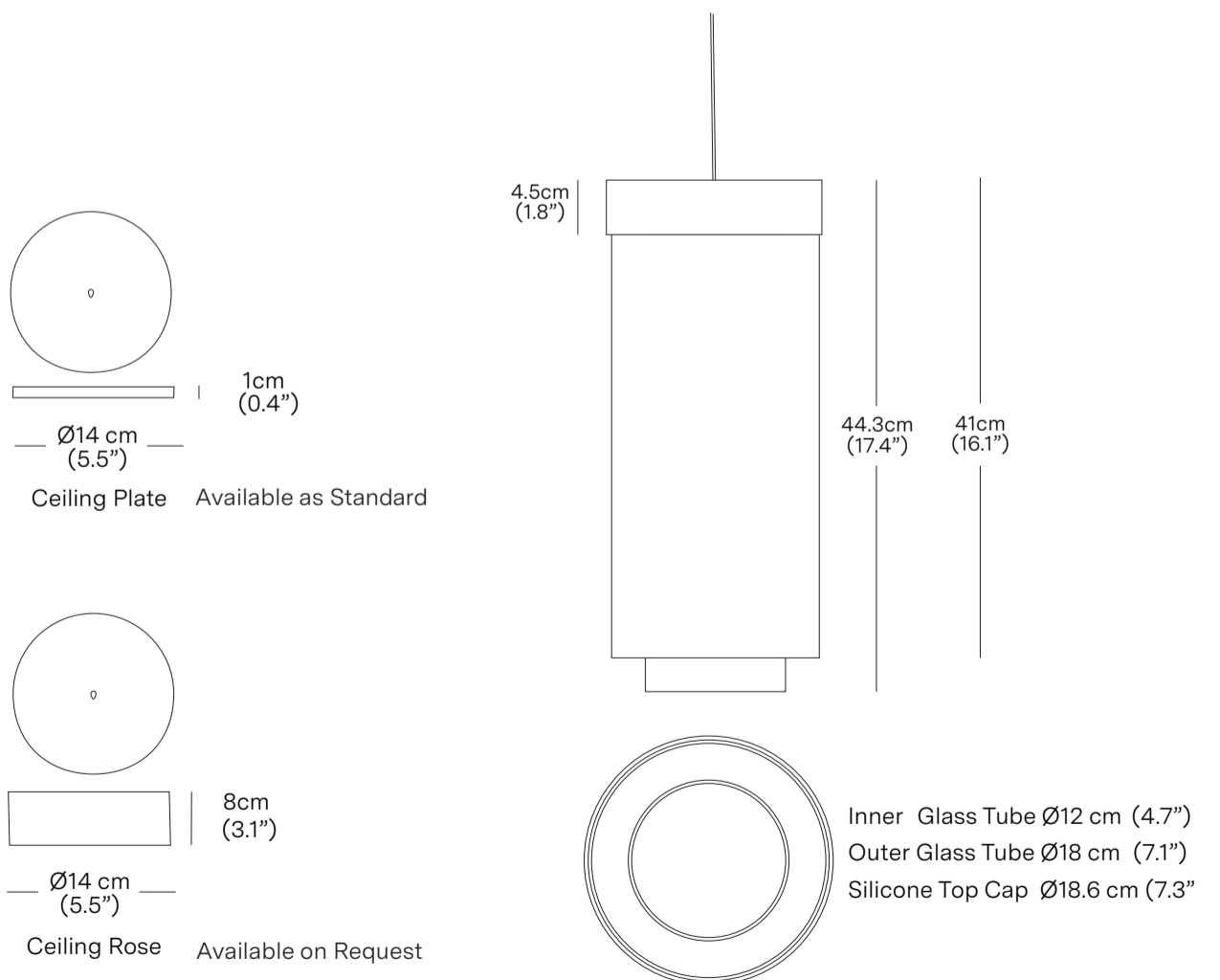
MATERIALS Borosilicate Glass, Aluminium, Silicone
CEILING ROSE Matt Black Aluminium
PRODUCT ENVIRONMENT Indoor Use Only
CONTRACT USE Yes
CERTIFICATION CE, RCM, ETL
WARRANTY 3 years
COUNTRY OF ORIGIN Czech Republic
*Alternative dimmer/drivers, pg 36

CODE	PRODUCT	
GHO001	Ghost Pendant	€1500

LIGHT SOURCE Integrated LED
VOLTAGE 24V
POWER USAGE 25W
LUMENS 500lm
COLOUR TEMP 3000k
CRI 95
LIFESPAN 50,000 Hrs
CABLE Min 30 cm (12 in) - Max 300 cm (118 in)
DIMMING The Ghost Pendant is dimmable as standard and comes with an XLG constant current driver.

PRODUCT WEIGHT
6.5 kg (14.3 lbs)

PACKAGED DIMENSIONS		
L x W x H	Cubage	Weight
Box 1		
22 x 22 x 57 cm	0.03m3	8 kg
8.7 x 8.7 x 22.4 in	0.97 ft3	17.6 lbs
COMMODITY CODE 94052090		



* Components drawn in relative scale. Refer to CAD files for accurate drawings.

Ghost Pendant Clusters



GHO010 - Ghost Cluster 3 Pendants

€5100

Ceiling Plate - Black Aluminium
Diameter: 55 cm (21.7 in)
Height: 5.5 cm (2.1 in)



GHO011 - Ghost Cluster 5 Pendants

€8100

Ceiling Plate - Black Aluminium
Diameter: 55 cm (21.7 in)
Height: 5.5 cm (2.1 in)



GHO012 - Ghost Cluster 7 Pendants

€11,100

Ceiling Plate - Black Aluminium
Diameter: 55 cm (21.7 in)
Height: 5.5 cm (2.1 in)



GHO013 - Ghost Cluster 19 Pendants

€29700

Ceiling Plate - Black Aluminium
Diameter: 110 cm (43.3 in)
Height: 5.5 cm (2.1 in)



GHO015 - Ghost Cluster 3 Pendants

€5100

Ceiling Plate - Black Aluminium
Length: 100 cm (39.4 in)
Width: 14 cm (5.5 in)
Height: 5.5 cm (2.1 in)

CEILING PLATES

SCP001 - Standard Ceiling Plate Round
(3-7 pendants)

€600

Black Aluminium
Diameter: 55 cm (21.7 in)
Height: 5.5 cm (2.1 in)

SCP002 - Standard Ceiling Plate Round
(19 pendants)

€1140

Black Aluminium
Diameter: 110 cm (43.3 in)
Height: 5.5 cm (2.1 in)

SCP003 - Standard Ceiling Plate Linear
(3 pendants)

€600

Black Aluminium
Length: 100 cm (39.4 in)
Width: 14 cm (5.5 in)
Height: 5.5 cm (2.1 in)

* Components drawn in relative scale. Refer to CAD files for accurate drawings.

Ghost Floor Light



Resident Studio | 2022

The Ghost Floor Light is a minimal floor lamp made from two pure borosilicate glass tubes. In a collision of technology and materiality, a warm LED light source projects invisibly through the glass, to spectacularly illuminate the top edges. The result is a delicate visual presence, with a strong source of light for the space above.

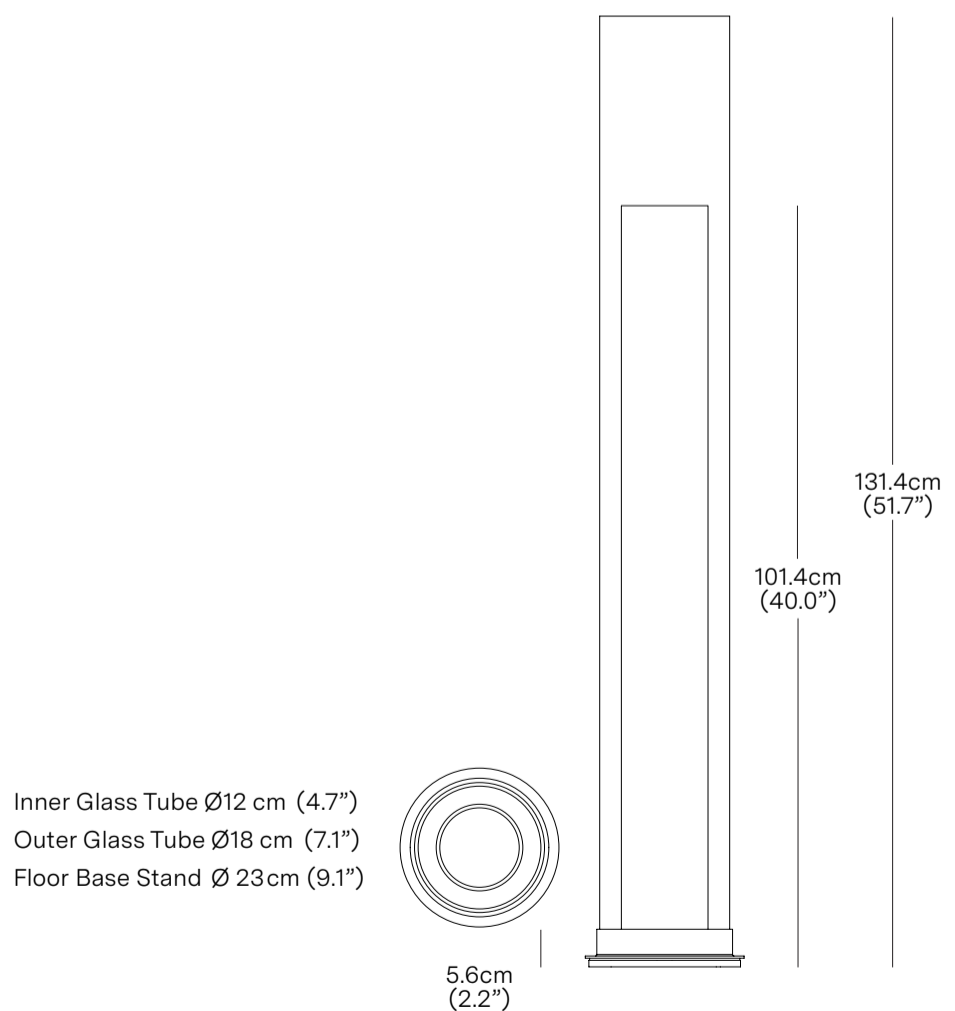
MATERIALS Borosilicate Glass, Aluminium, Steel, Silicone
PRODUCT ENVIRONMENT Indoor Use Only
CONTRACT USE Yes
CERTIFICATION CEL
WARRANTY 3 years
COUNTRY OF ORIGIN Czech Republic

CODE GHO002	PRODUCT Ghost Floor Light	PRICE €2700
-----------------------	-------------------------------------	-----------------------

LIGHT SOURCE Integrated LED
VOLTAGE 24V
POWER USAGE 25W
LUMENS 500lm
COLOUR TEMP 3000k
CRI 95
LIFESPAN 50,000 Hrs
CABLE 300 cm (118 in) with an externaly housed driver
DIMMING Non-dimmable as standard.

PRODUCT WEIGHT
19.5 kg (43 lbs)

PACKAGED DIMENSIONS		
L x W x H	Cubage	Weight
Box 1		
27 x 27 x 150 cm	0.10 m3	22 kg
10.6 x 10.6 x 59.1 in	3.6 ft3	48.5 lbs
COMMODITY CODE	94052090	



* Components drawn in relative scale. Refer to CAD files for accurate drawings.

Ghost Table Light

New



Resident Studio | 2024

The Ghost Table Light is a minimal table lamp made from two pure borosilicate glass tubes. In a collision of technology and materiality, a warm LED light source projects invisibly through the glass, to spectacularly illuminate the top edges. The result is a delicate visual presence, with a strong source of light for the space above.

MATERIALS	Borosilicate Glass, Aluminium, Steel, Silicone
PRODUCT ENVIRONMENT	Indoor Use Only
CONTRACT USE	Yes
CERTIFICATION	CE, RCM, ETL
WARRANTY	3 years
COUNTRY OF ORIGIN	Czech Republic

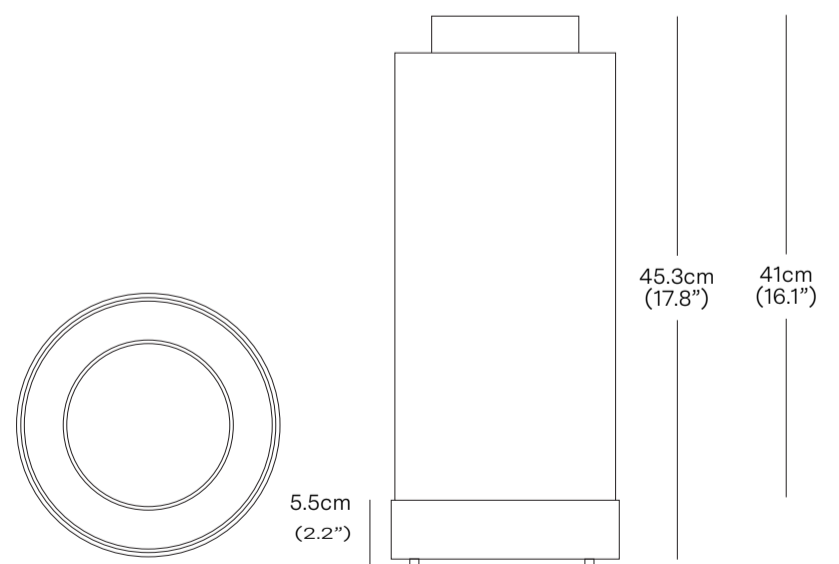
CODE	PRODUCT	PRICE
GHO003	Ghost Table Light	€1560

LIGHT SOURCE	Integrated LED
VOLTAGE	24V
POWER USAGE	25W
LUMENS	500lm
COLOUR TEMP	3000k
CRI	95
LIFESPAN	50,000 Hrs
CABLE	300 cm (118 in) with an externaly housed driver
DIMMING	Non-dimmable as standard.

PRODUCT WEIGHT
6.5 kg (14.3 lbs)

PACKAGED DIMENSIONS		
L x W x H	Cubage	Weight
Box 1		
22 x 22 x 57 cm	0.03m3	8 kg
8.7 x 8.7 x 22.4 in	0.97 ft3	17.6 lbs
COMMODITY CODE	94052090	

Inner Glass Tube Ø12 cm (4.7")
Outer Glass Tube Ø18 cm (7.1")



* Components drawn in relative scale. Refer to CAD files for accurate drawings.

Hex 500 Pendant



Resident Studio | 2013

The Hex 500 Pendant is a member of Residents signature 'Geometric Family' that brings the beauty of mathematical precision into innovative and functional feature lighting for both the home and commercial environments.

The pendant is suspended from discreet slim line wires, with a high quality LED light source that is elegantly diffused through recessed frosted acrylic.

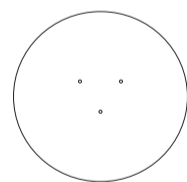
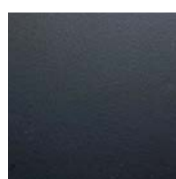
Hex 500 works well as a single pendant, displayed in multiples or with other members of the geometric lighting family.

MATERIALS
Aluminium, Acrylic
CEILING ROSE
Matt Black Aluminium
PRODUCT ENVIRONMENT
Indoor Use Only
CONTRACT USE
Yes
CERTIFICATION
CE, cUL, UL
WARRANTY
3 years
COUNTRY OF ORIGIN
New Zealand

CODE	PRODUCT	PRICE
HEX001B	Hex 500 Pendant - Black	€2310

LIGHT SOURCE
Integrated LED
VOLTAGE
24V
POWER USAGE
30W
LUMENS
2362lm
COLOUR TEMP
2700k
CRI
95
LIFESPAN
50,000
CABLE
Min 30 cm (12 in) - Max 200 cm (78 in)
DIMMING
Non-dimmable as standard and comes with a 60W (non-dimmable) driver.
*Alternative dimmer/drivers, pg 36

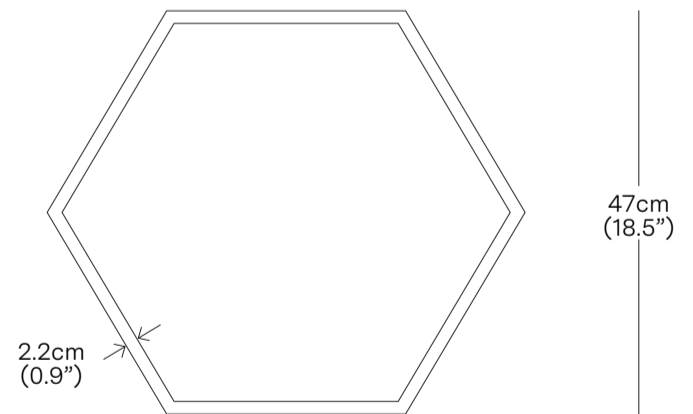
FINISHES	PRODUCT WEIGHT
black	2.7 kg (6 lbs)



Ø20.5cm
(8.1")

Ceiling Rose

5cm
(2")



55cm
(21.7")

47cm
(18.5")

6cm
(2.4")

PACKAGED DIMENSIONS		
L x W x H	Cubage	Weight
Box 1		
62 x 56 x 10 cm	0.03 m3	3.7 kg
24.4 x 22 x 3.9 in	1.1 ft3	8.2 lbs
COMMODITY CODE	94052090	

* Components drawn in relative scale. Refer to CAD files for accurate drawings.

Hex 750 Pendant



Resident Studio | 2014

The Hex 750 Pendant is a member of Residents signature 'Geometric Family' that brings the beauty of mathematical precision into innovative and functional feature lighting for both the home and commercial environments.

The pendant is suspended from discreet slim line wires, with a high quality LED light source that is elegantly diffused through recessed frosted acrylic.

Hex 750 works well as a single pendant, displayed in multiples or with other members of the geometric lighting family.

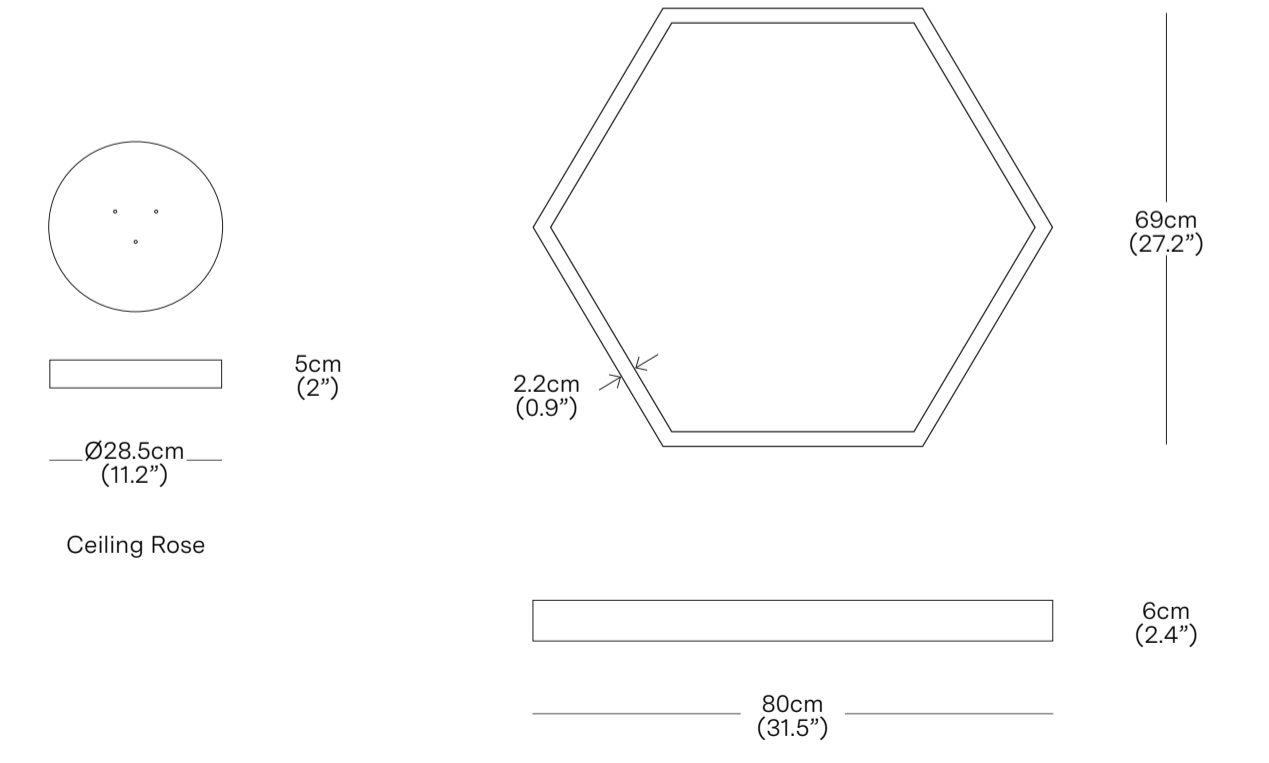
MATERIALS
Aluminium or Brass, Acrylic
CEILING ROSE
Matt Black Aluminium
PRODUCT ENVIRONMENT
Indoor Use Only
CONTRACT USE
Yes
CERTIFICATION
CE, cUL, UL
WARRANTY
3 years
COUNTRY OF ORIGIN
New Zealand

CODE	PRODUCT	PRICE
HEX002B	Hex 750 Pendant - Black	€3036
HEX002BR	Hex 750 Pendant - Brass	€4752

LIGHT SOURCE
Integrated LED
VOLTAGE
24V
POWER USAGE
58W
LUMENS
3543lm
COLOUR TEMP
2700k
CRI
95
LIFESPAN
50,000
CABLE
Min 30 cm (12 in) - Max 200 cm (78 in)
DIMMING
Non-dimmable as standard and comes with a 100W (non-dimmable) driver.
*Alternative dimmer/drivers, pg 36

FINISHES	PRODUCT WEIGHT
black brass	Black: 4.1 kg (9 lbs)
 	Brass: 6 kg (13.2 lbs)

PACKAGED DIMENSIONS		
L x W x H	Cubage	Weight
Black		
99 x 87 x 10 cm	0.09 m3	7 kg
39 x 34.3 x 3.9 in	3.2 ft3	15.4 lbs
Brass		
99 x 87 x 10 cm	0.09 m3	9.4 kg
39 x 34.3 x 3.9 in	3.2 ft3	20.7 lbs
COMMODITY CODE	94052090	



* Components drawn in relative scale. Refer to CAD files for accurate drawings.

Hex 1000 Pendant



Resident Studio | 2020

The Hex 1000 Pendant is a member of Residents signature 'Geometric Family' that brings the beauty of mathematical precision into innovative and functional feature lighting for both the home and commercial environments.

The pendant is suspended from discreet slim line wires, with a high quality LED light source that is elegantly diffused through recessed frosted acrylic.

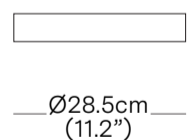
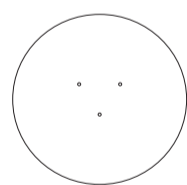
Hex 1000 works well as a single pendant, displayed in multiples or with other members of the geometric lighting family.

MATERIALS
Aluminium or Brass, Acrylic
CEILING ROSE
Matt Black Aluminium
PRODUCT ENVIRONMENT
Indoor Use Only
CONTRACT USE
Yes
CERTIFICATION
CE
WARRANTY
3 years
COUNTRY OF ORIGIN
New Zealand

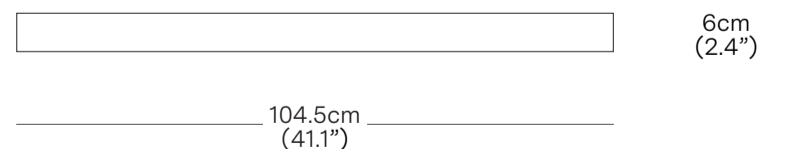
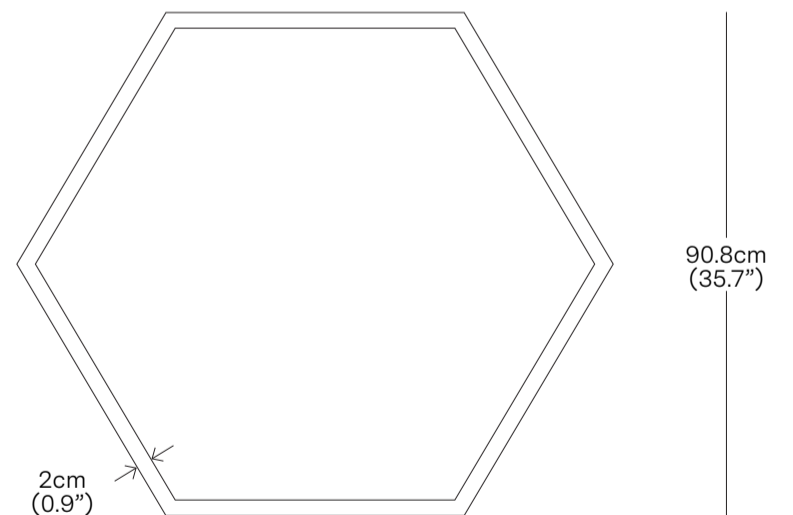
CODE	PRODUCT	PRICE
HEX003B	Hex 1000 Pendant - Black	€6171
HEX003BR	Hex 1000 Pendant - Brass	€10956

LIGHT SOURCE
Integrated LED
VOLTAGE
24V
POWER USAGE
90W
LUMENS
4725lm
COLOUR TEMP
2700k
CRI
95
LIFESPAN
50,000
CABLE
Min 30 cm (12 in) - Max 200 cm (78")
DIMMING
Non-dimmable as standard and comes with a 100W (non-dimmable) driver.
*Alternative dimmer/drivers, pg 36

FINISHES	PRODUCT WEIGHT
black brass	Black: 7 kg (15.4 lbs)
 	Brass: 11.5 kg (25.4 lbs)



Ceiling Rose



PACKAGED DIMENSIONS		
L x W x H	Cubage	Weight
Black		
122 x 114 x 11 cm	0.15 m3	12.5 kg
48 x 44.9 x 4.3 in	5.3 ft3	27.6 lbs
Brass		
122 x 114 x 11 cm	0.15 m3	16 kg
48 x 44.9 x 4.3 in	5.3 ft3	35.3 lbs
COMMODITY CODE	94052090	

* Components drawn in relative scale. Refer to CAD files for accurate drawings.

Oud Lamp



Cheshire Architects | 2012

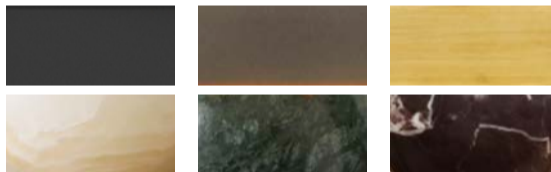
Oud is an extraordinary desk lamp. Its single armature follows a continuous and unbalanced line, concealing all the mechanisms of a warm integrated LED light source. A sphere of polished marble rests on the lower leg, its diameter fitted to the palm. A quarter turn operates the internal switch.

MATERIALS	Brass or Stainless Steel, Marble
PRODUCT ENVIRONMENT	Indoor Use Only
CONTRACT USE	Yes
CERTIFICATION	CE
WARRANTY	3 years
COUNTRY OF ORIGIN	New Zealand

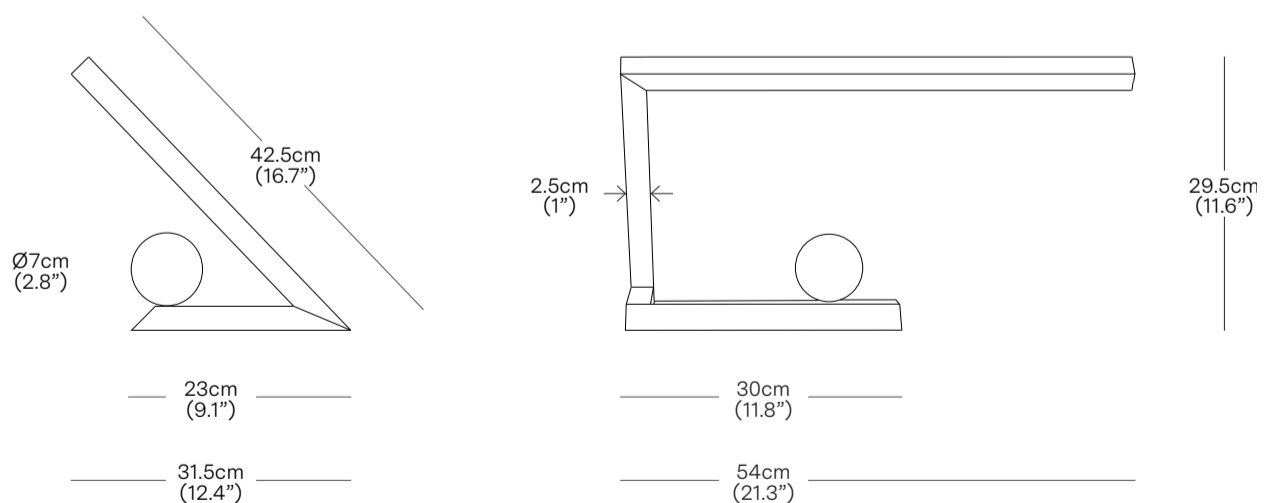
CODE	PRODUCT	PRICE
OUD001B	Oud Lamp - Black	€5056
OUD001S	Oud Lamp - Sandblasted Steel	€5056
OUD001BR	Oud Lamp - Brass	€5056

LIGHT SOURCE	Integrated LED
VOLTAGE	24V
POWER USAGE	5W
LUMENS	280lm
COLOUR TEMP	2800k
CRI	90
LIFESPAN	50,000
CABLE	187 cm (73.6 in)
DIMMING	Non-dimmable as standard and has an intergrated on/off swithc activated by turning the marble ball.

FINISHES
black & onyx steel & verde brass & rossa



PRODUCT WEIGHT
Black/Stainless:
2.6 kg (5.7 lbs)
Brass:
2.8 kg (6.2 lbs)



PACKAGED DIMENSIONS		
L x W x H	Cubage	Weight
Black, Stainless		
58 x 25 x 58 cm	0.08 m3	4.5 kg
22.8 x 9.8 x 22.8 in	2.8 ft3	9.9 lbs
Brass		
58 x 25 x 58 cm	0.08 m3	4.7 kg
22.8 x 9.8 x 22.8 in	2.8 ft3	10.4 lbs
COMMODITY CODE	94052090	

* Components drawn in relative scale. Refer to CAD files for accurate drawings.

Parison Pendant



Cheshire Architects | 2014

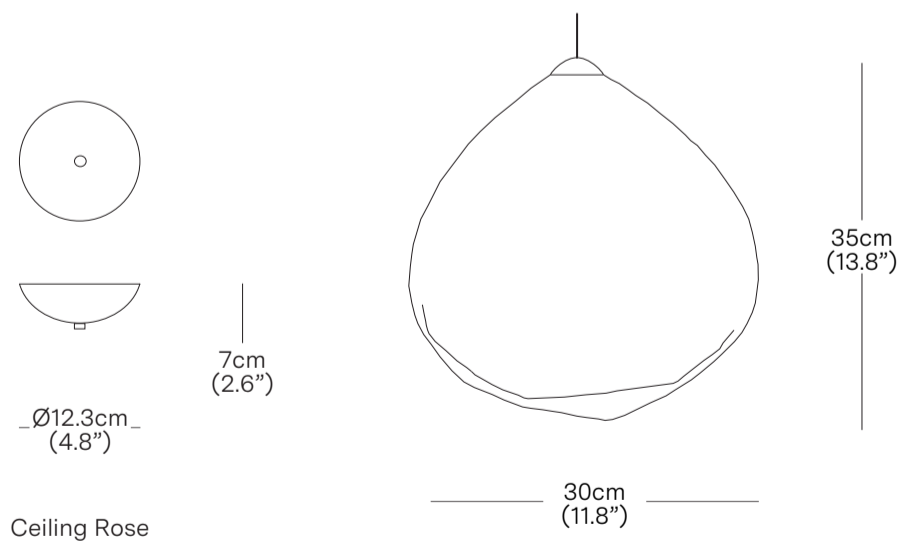
Parison is a mouth blown feature pendant, using a mixture of both coloured and clear glass, opaque at the top, to transparent at the base. The underside contains slanted facets, creating a beautiful contradiction between the fluid and jagged surfaces.

MATERIALS
Glass
CEILING ROSE
Matt Black Aluminium
PRODUCT ENVIRONMENT
Indoor Use Only
CONTRACT USE
Yes
CERTIFICATION
CE, cUL, UL
WARRANTY
3 years
COUNTRY OF ORIGIN
Czech Republic

CODE	PRODUCT	PRICE
PAR001B	Parison Pendant - Black	€1313
PAR001W	Parison Pendant - White	€1313

LIGHT SOURCE
E27 LED Bulb
VOLTAGE
220-240V
POWER USAGE
6W (40W equiv)
LUMENS
470lm
COLOUR TEMP
2700k
CRI
80
LIFESPAN
15,000 Hrs
CABLE
Min 30 cm (12 in) - Max 300 cm (118.1 in)
DIMMING
Dimmable and comes standard with a dimmable LED bulb.

FINISHES	PRODUCT WEIGHT
black white	3.6 kg (7.9 lbs)



PACKAGED DIMENSIONS		
L x W x H	Cubage	Weight
Box 1		
43 x 44 x 45 cm	0.09 m3	5.6 kg
16.9 x 17.3 x 17.7 in	3.2 ft3	12.3 lbs
COMMODITY CODE	94052090	

* Components drawn in relative scale. Refer to CAD files for accurate drawings.

Phase Pendant Small

New



Estudio Persona | 2024

The Phase Pendant Small is an exercise in creating harmony in the contrast between shadow and luminosity.

Drawing inspiration from the lunar phases, this compact crescent pendant is suspended discretely from two slimline wires.

The dark bronze body is accompanied by a warm LED lit acrylic diffuser, enhanced with a subtle linen textured appearance.

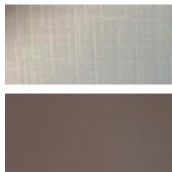
MATERIALS
Powdercoated Aluminium, Acrylic
CEILING ROSE
Dark Bronze Aluminium
PRODUCT ENVIRONMENT
Indoor Use Only
CONTRACT USE
Yes
CERTIFICATION
CE, RCM (UL Pending)
WARRANTY
3 years
COUNTRY OF ORIGIN
New Zealand

CODE	PRODUCT	PRICE
PHA001DB	Phase Pendant Small - Dark Bronze	€1074

LIGHT SOURCE
Integrated LED
VOLTAGE
24V
POWER USAGE
6W
LUMENS
336lu
COLOUR TEMP
2700k
CRI
95
LIFESPAN
50,000
CABLE
Min 5 cm (2 in) - Max 200 cm (78")
DIMMING
Dimmable as standard and comes with a 30W Phase Cut Dimmable Driver, to be installed into the ceiling rose or ceiling cavity. *Alternative dimmer/drivers, pg 36

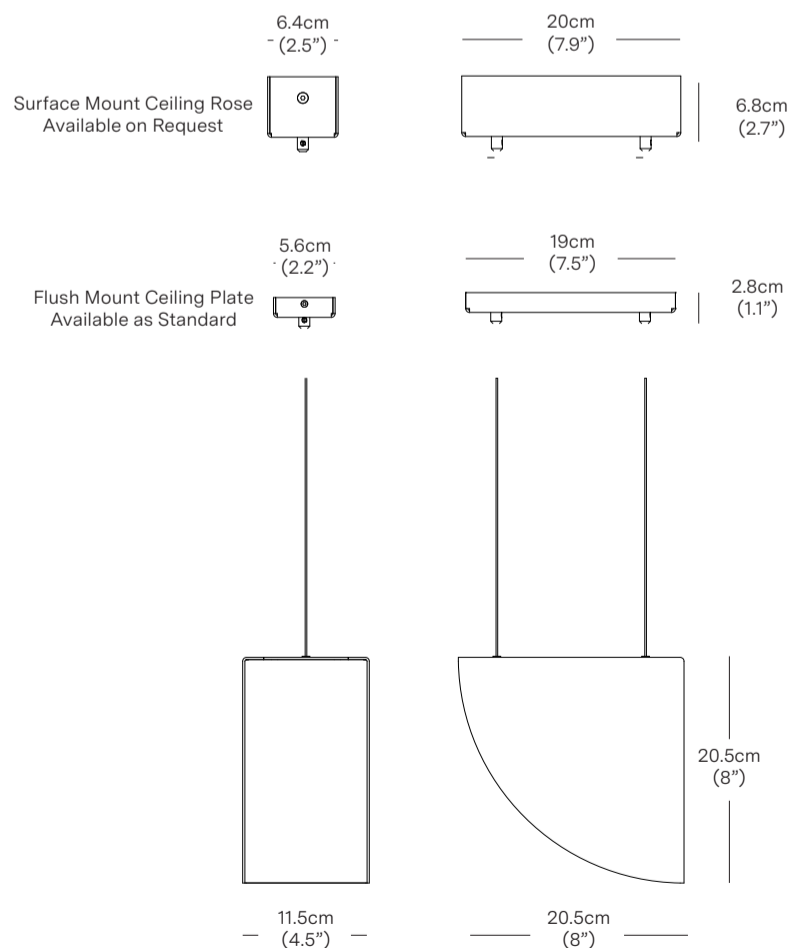
FINISHES

dark bronze /
frosted acrylic



PRODUCT WEIGHT

1.5 kg (3.3 lbs)



* Components drawn in relative scale. Refer to CAD files for accurate drawings.

PACKAGED DIMENSIONS		
L x W x H	Cubage	Weight
Box 1		
43.5 x 35 x 27 cm	0.4 m3	4.5 kg
17.1 x 13.8 x 10.6 in	1.5 ft3	9.9 lbs
COMMODITY CODE	94052090	

Phase Pendant Large

New



Estudio Persona | 2024

The Phase Pendant Large is an exercise in creating harmony in the contrast between shadow and luminosity.

Drawing inspiration from the lunar phases, this voluminous crescent pendant is suspended discretely from two slimline wires.

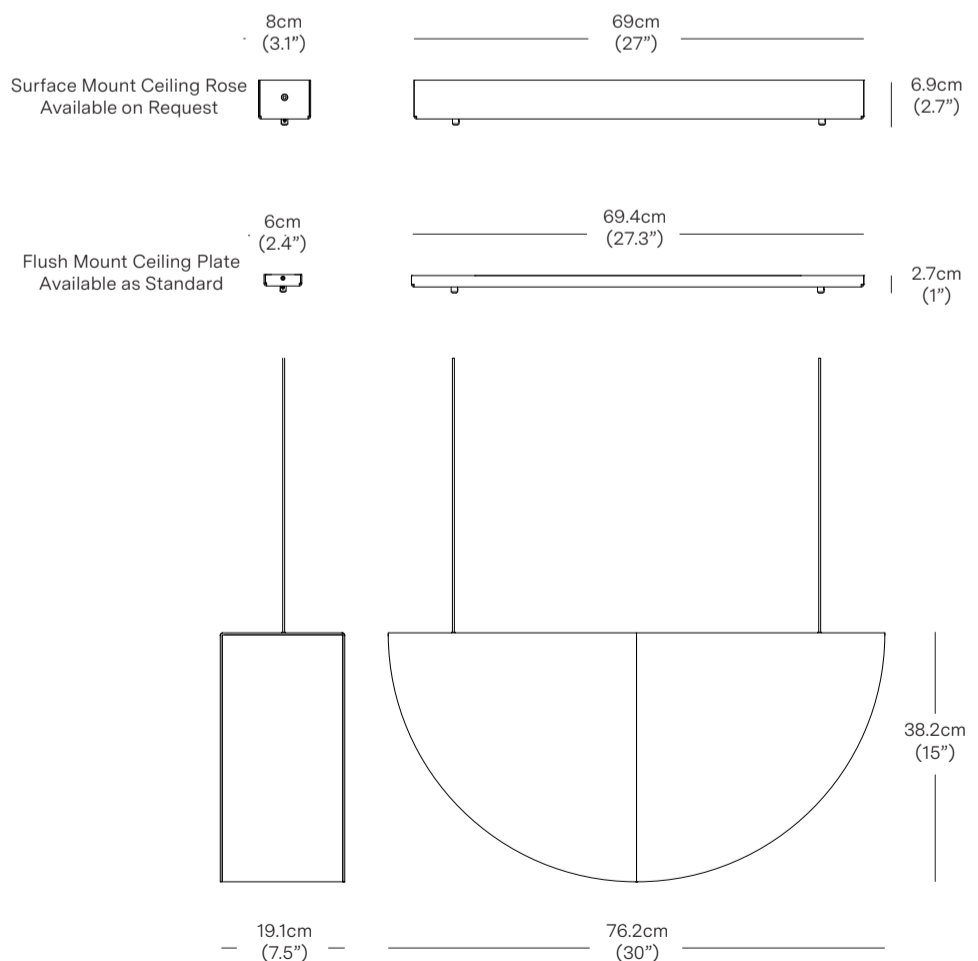
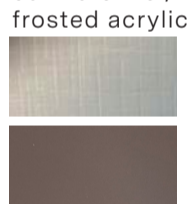
The dark bronze body is accompanied by a warm LED lit acrylic diffuser, enhanced with a subtle linen textured appearance.

MATERIALS
Powdercoated Aluminium, Acrylic
CEILING ROSE
Dark Bronze Aluminium
PRODUCT ENVIRONMENT
Indoor Use Only
CONTRACT USE
Yes
CERTIFICATION
CE, RCM (UL Pending)
WARRANTY
3 years
COUNTRY OF ORIGIN
New Zealand

CODE	PRODUCT	PRICE
PHA002DB	Phase Pendant Large - Dark Bronze	€5400

LIGHT SOURCE
Integrated LED
VOLTAGE
24V
POWER USAGE
52.5W
LUMENS
2940lu
COLOUR TEMP
2700k
CRI
95
LIFESPAN
50,000
CABLE
Min 5 cm (2 in) - Max 200 cm (78")
DIMMING
Dimmable as standard and comes with a 100W Phase Cut Dimmable Driver, to be installed into the ceiling rose or ceiling cavity.
*Alternative dimmer/drivers, pg 36

FINISHES	PRODUCT WEIGHT
dark bronze / frosted acrylic	6 kg (13.2 lbs)



* Components drawn in relative scale. Refer to CAD files for accurate drawings.

PACKAGED DIMENSIONS		
L x W x H	Cubage	Weight
Box 1		
93.5 x 70.5 x 41.5 cm	0.27 m3	17.2 kg
36.8 x 27.8 x 16.3 in	9.7 ft3	37.9 lbs
COMMODITY CODE	94052090	

Phase Table Light

New



Estudio Persona | 2024

The Phase Table Light is an exercise in creating harmony in the contrast between shadow and luminosity.

Drawing inspiration from the lunar phases, this compact Table Light is designed to bring a distinctive shape to the surface it sits upon.

The dark bronze or white body is accompanied by a warm LED lit acrylic diffuser, enhanced with a subtle linen textured appearance.

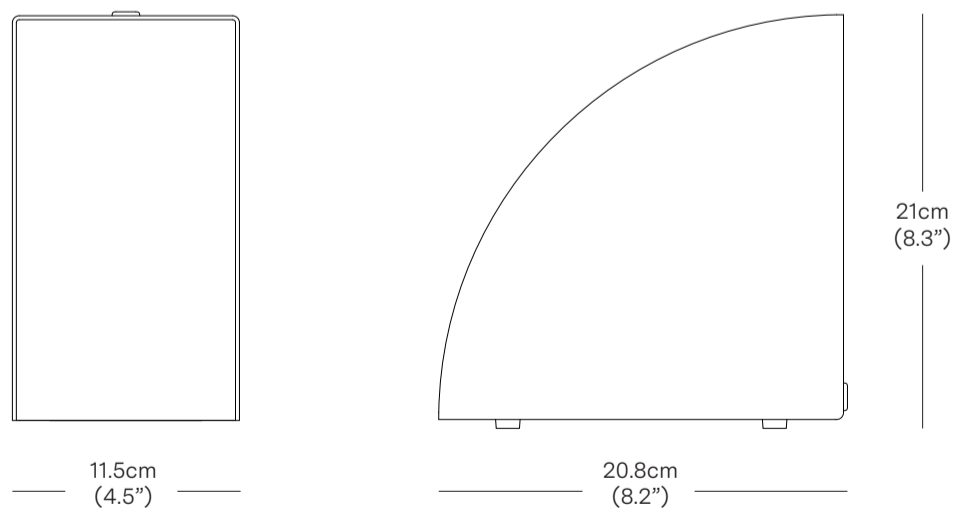
MATERIALS
Powdercoated Aluminium, Acrylic
CEILING ROSE
Dark Bronze Aluminium
PRODUCT ENVIRONMENT
Indoor Use Only
CONTRACT USE
Yes
CERTIFICATION
CE, RCM (UL Pending)
WARRANTY
3 years
COUNTRY OF ORIGIN
New Zealand

CODE	PRODUCT	PRICE
PHA003DB	Phase Table Light - Dark Bronze	€972
PHA003W	Phase Table Light - White	€972

LIGHT SOURCE
Integrated LED
VOLTAGE
24V
POWER USAGE
6W
LUMENS
336lm
COLOUR TEMP
2700k
CRI
95
LIFESPAN
50,000
CABLE
205 cm (80.7 in)
DIMMING
Dimmable as standard and comes with a 24W plug in driver, universal plug and touch dimming switch.

FINISHES	PRODUCT WEIGHT						
<table> <tr> <td>dark bronze / frosted acrylic</td> <td>white / frosted acrylic</td> </tr> <tr> <td></td> <td></td> </tr> <tr> <td></td> <td></td> </tr> </table>	dark bronze / frosted acrylic	white / frosted acrylic					7 kg (3.3 lbs)
dark bronze / frosted acrylic	white / frosted acrylic						

PACKAGED DIMENSIONS		
L x W x H	Cubage	Weight
Box 1		
43.5 x 35 x 27 cm	0.4 m3	4.5 kg
17.1 x 13.8 x 10.6 in	1.5 ft3	9.9 lbs
COMMODITY CODE	94052090	



* Components drawn in relative scale. Refer to CAD files for accurate drawings.

Phase Wall Sconce



Estudio Persona | 2024

The Phase Wall Sconce is an exercise in creating harmony in the contrast between shadow and luminosity.

Drawing inspiration from the lunar phases, this compact Wall Sconce is designed to bring a distinctive shape to the surface it sits upon.

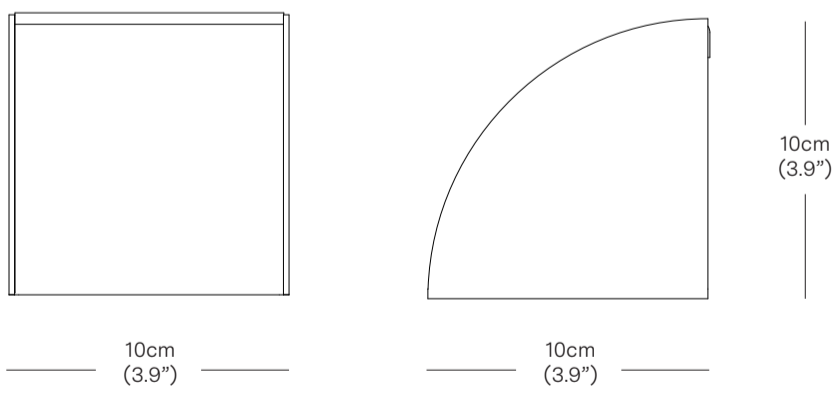
The dark bronze or white body is accompanied by a warm LED lit acrylic diffuser, enhanced with a subtle linen textured appearance.

MATERIALS
Powdercoated Aluminium, Acrylic
CEILING ROSE
Dark Bronze Aluminium
PRODUCT ENVIRONMENT
Indoor Use Only
CONTRACT USE
Yes
CERTIFICATION
CE, RCM (UL Pending)
WARRANTY
3 years
COUNTRY OF ORIGIN
New Zealand

CODE	PRODUCT	PRICE
PHA001DB	Phase Wall Sconce - Dark Bronze	€720
PHA001W	Phase Wall Sconce - White	€720

LIGHT SOURCE
Integrated LED
VOLTAGE
5V
POWER USAGE
3W
LUMENS
168lu
COLOUR TEMP
2700k
CRI
95
LIFESPAN
50,000
MOUNTING
Includes mounting screws for timber wall frame
DIMMING
Dimmable as standard and comes with a 20W Phase Cut Dimmable Driver, to be installed into the ceiling or wall cavity. *Alternative dimmer/drivers, pg 36

FINISHES	PRODUCT WEIGHT						
<table border="0"> <tr> <td>dark bronze / frosted acrylic</td> <td>white / frosted acrylic</td> </tr> <tr> <td></td> <td></td> </tr> <tr> <td></td> <td></td> </tr> </table>	dark bronze / frosted acrylic	white / frosted acrylic					0.5 kg (1.1 lbs)
dark bronze / frosted acrylic	white / frosted acrylic						



PACKAGED DIMENSIONS		
L x W x H	Cubage	Weight
Box 1		
22.5 x 23.5 x 19.5 cm	0.01 m3	1.8 kg
10 x 9.3 x 7.7 in	0.4 ft3	4.0 lbs
COMMODITY CODE	94052090	

* Components drawn in relative scale. Refer to CAD files for accurate drawings.

Spar Floor Light



Jamie McLellan | 2011

Resident's first product to launch and now an iconic recognised design staple, Spar is a large cantilevered floor light that takes inspiration from the mast arrangements of classic sailing boats.

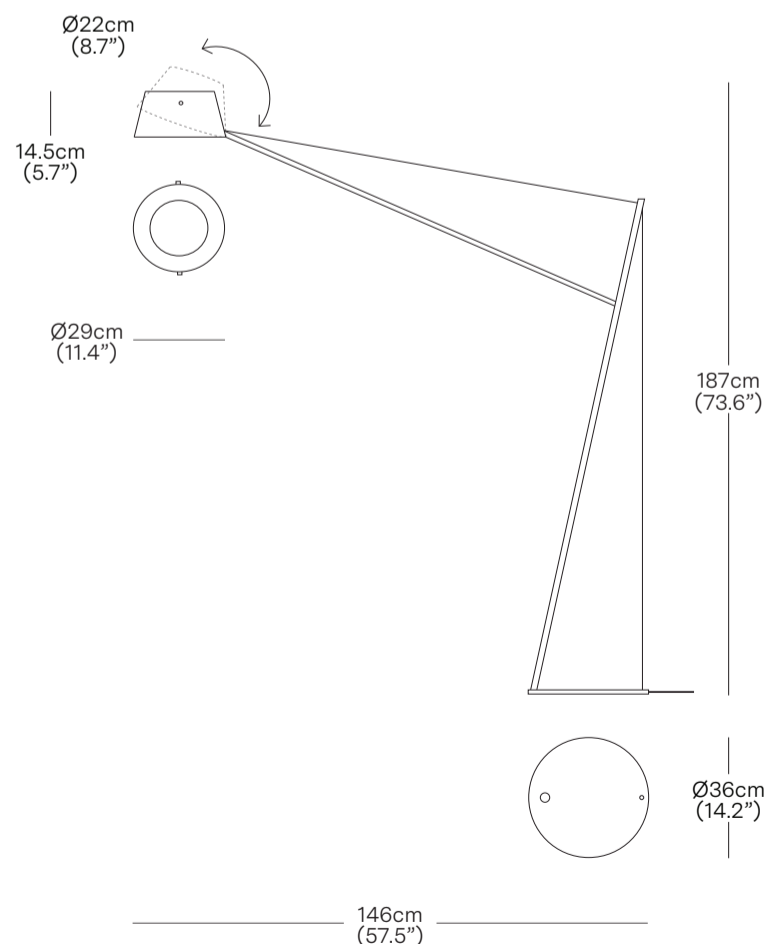
With a simple two-dimensional silhouette that relies on a tensioned electrical cable for support, it has a spun aluminium shade that rotates 360 degrees allowing for the light-source to be directed accordingly.

MATERIALS
Aluminium, Steel
PRODUCT ENVIRONMENT
Indoor Use Only
CONTRACT USE
Yes
CERTIFICATION
CE, RCM
WARRANTY
3 years
COUNTRY OF ORIGIN
China

CODE	PRODUCT	PRICE
SPF001B	Spar Light - Black	€1835
SPF001R	Spar Light - Red	€1835

LIGHT SOURCE
E27 LED Bulb
VOLTAGE
220-240V
POWER USAGE
6W (40W equiv)
LUMENS
470lm
COLOUR TEMP
2700k
CRI
90
LIFESPAN
15,000 Hrs
CABLE
155 cm (61 in)
DIMMING
Non-dimmable and comes with a prewired in line on/off switch.

FINISHES	PRODUCT WEIGHT
black red	12.2 kg (26.9 lbs)



* Components drawn in relative scale. Refer to CAD files for accurate drawings.

PACKAGED DIMENSIONS		
L x W x H	Cubage	Weight
Base & Shade		
23 x 45 x 44cm	0.05 m3	10.2 kg
9.1 x 17.7 x 17.3 in	1.77 ft3	22.5 lbs
Arm		
10 x 154 x 4.5cm	0.01 m3	3.9 kg
3.9 x 60.6 x 1.77 in	0.35 ft3	8.6 lbs
COMMODITY CODE	94052090	

Tri Pendant



Resident Studio | 2024

The Tri Pendant is a member of Residents signature 'Geometric Family' that brings the beauty of mathematical precision into innovative and functional feature lighting into both the home and commercial environments.

The pendant is suspended from discrete slim line wires, with a high quality LED light source that is elegantly diffused through recessed frosted acrylic.

Tri works well as a single pendant, displayed in multiples or with other members of the geometric lighting family.

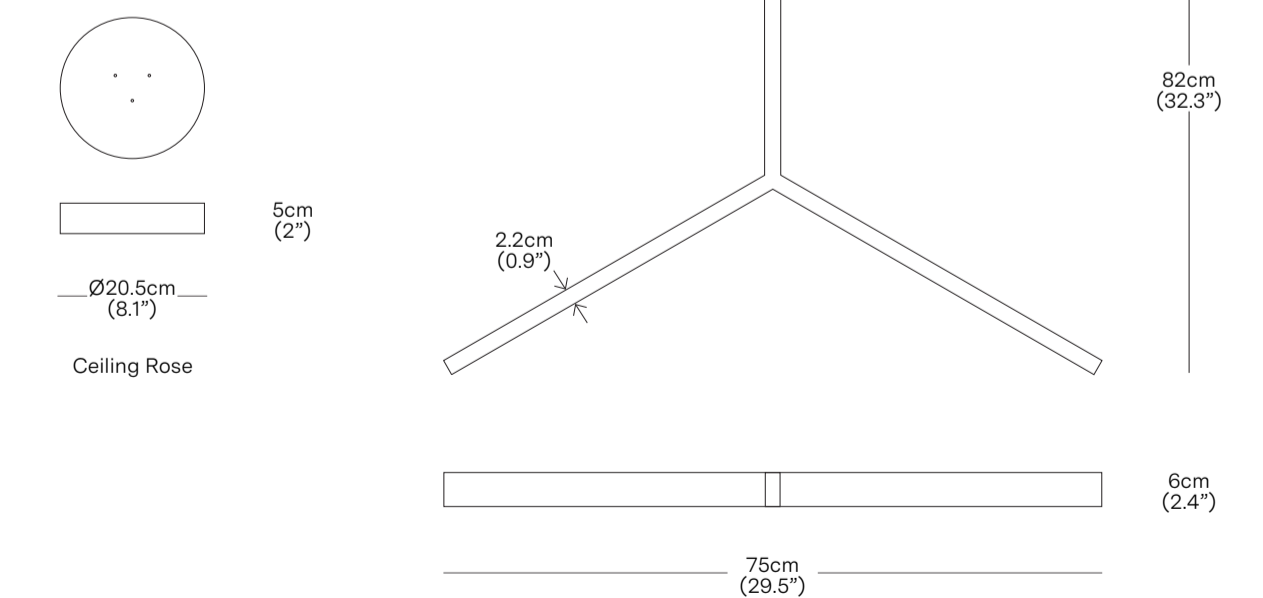
MATERIALS
Aluminium or Brass
CEILING ROSE
Matt Black Aluminium
PRODUCT ENVIRONMENT
Indoor Use Only
CONTRACT USE
Yes
CERTIFICATION
CE, cUL, UL
WARRANTY
3 years
COUNTRY OF ORIGIN
New Zealand

CODE	PRODUCT	PRICE
TRI001B	Tri Pendant - Black	€2534
TRI001BR	Tri Pendant - Brass	€3452

LIGHT SOURCE
Integrated LED
VOLTAGE
24V
POWER USAGE
30W
LUMENS
2047lm
COLOUR TEMP
2700k
CRI
95
LIFESPAN
50,000
CABLE
Min 30 cm (12 in) - Max 200 cm (78 in)
DIMMING
Non-dimmable as standard and comes with a 60W (non-dimmable) driver.
*Alternative dimmer/drivers, pg 36

FINISHES	PRODUCT WEIGHT
black brass	Black: 2.7 kg (6 lbs)
 	Brass: 3.6 kg (7.9 lbs)

PACKAGED DIMENSIONS		
L x W x H	Cubage	Weight
Black		
99 x 87 x 10 cm	0.09 m3	5.3 kg
39 x 34.3 x 3.9 in	3.2 ft3	11.7 lbs
Brass		
99 x 87 x 10 cm	0.09 m3	6.4 kg
39 x 34.3 x 3.9 in	3.2 ft3	14.1 lbs
COMMODITY CODE	94052090	



* Components drawn in relative scale. Refer to CAD files for accurate drawings.

Additional LED Compatible Dimmers & Dimmable Drivers

CODE	TYPE	PRODUCT COMPATABILITY	DIMMER COMPATABILITY	VOLTAGE	LOCATION	PRICE
DIMMERS						
DIM001	Dimmer with Remote	<ul style="list-style-type: none"> Hex 500 & 700 Cross & Tri Cast Light Straight 	Standard Geometric / Circus Drivers	120-277v		€115
DIM002	Dimmer with Wall Switch	<ul style="list-style-type: none"> Hex 500 & 750 Cross & Tri Circus 250, 500, 750 Cast Light Series 	Standard Geometric / Circus Drivers	120-277v		€115
DRIVERS						
DRI25	40W / 0-10V Dimmable Driver (PWM)	<ul style="list-style-type: none"> Phase Small, Phase Sconce 	DC Dimming	120-277v	Remote	€95
DRI06	60W / 0-10V Dimmable Driver (PWM)	<ul style="list-style-type: none"> Hex 500 Cross & Tri Cast Light Straight Circus 250, 2-3 Rings 	DC Dimming	120-277v	Ceiling Rose / Junction Box *Remote for Cast	€115
DRI07	90W / 0-10V Dimmable Driver (PWM)	<ul style="list-style-type: none"> Hex 750 Circus 250, 4 Rings Circus 500, 2 Rings Phase Large 	DC Dimming	120-277v	Ceiling Rose / Junction Box *Remote for Phase	€115
DRI08	120W / 0-10V Dimmable Driver (PWM)	<ul style="list-style-type: none"> Hex 1000 Cast Light Round Circus 250, 5-6 Rings Circus 500, 3 Rings Circus 750, 2 Rings 	DC Dimming	120-277v	Ceiling Rose / Junction Box *Remote for Cast	€130
DRI09	60W Dimmable Phase Cut Driver	<ul style="list-style-type: none"> Hex 500 Cross, Tri, V Wall Light Cast Light Straight Circus 250, 2-3 Rings 	Universal AC Dimming or Triac Dimming	120-277v	Ceiling Rose / Junction Box *Remote for Cast	€80
DRI10	100W Dimmable Phase Cut Driver	<ul style="list-style-type: none"> Hex 750 Cast Light Round Circus 250, 4 & 5 Rings Circus 500, 2 Rings 	Universal AC Dimming or Triac Dimming	120-277v	Ceiling Rose / Junction Box *Remote for Cast	€130
DRI19	150W Dimmable Driver Phase Cut	<ul style="list-style-type: none"> Hex 1000 Cast Light Oblong Circus 250, 6-7 Rings Circus 500, 3 Rings Circus 750, 2 Rings 	Universal AC Dimming or Triac Dimming	120-277v	Ceiling Rose / Junction Box *Remote for Cast	€180
DRI17	300W Dimmable Driver Phase Cut	<ul style="list-style-type: none"> Circus 250, 8-11 Rings Circus 500, 4-6 Rings Circus 750, 3-4 Rings 	Universal AC Dimming or Triac Dimming	120-277v	Remote	€250
DRI22	25W Dimmable Dali Driver	<ul style="list-style-type: none"> Ghost 	Dali Systems	120-277v	Ceiling Rose / Junction Box	€115
DRI26	60W Dimmable Dali Driver	<ul style="list-style-type: none"> Phase Small, Phase Sconce 	Dali Systems	120-277v	Remote	€115
DRI13	75W Dimmable Dali Driver	<ul style="list-style-type: none"> Hex 500 & 750 Cross & Tri Cast Light Straight & Round Circus 250, 2-3 Rings 	Dali Systems	120-277v	Remote	€115
DRI27	100W Dimmable Dali Driver	<ul style="list-style-type: none"> Phase Large 	Dali Systems	120-277v	Remote	€190
DRI14	150W Dimmable Dali Driver	<ul style="list-style-type: none"> Hex 1000 Cast Light Oblong Circus 250, 6-7 Rings Circus 500, 3 Rings Circus 750, 2 Rings 	Dali Systems	120-277v	Remote	€260

Ghost Pendant comes standard with 25W (Dimmable) driver
 Hex 500, Cross, Tri come standard with 60W (non Dimmable) driver
 Hex 750 comes standard with 100W (non Dimmable) driver
 Hex 1000 comes standard with 150W (non Dimmable) driver
 Phase Wall Sconce comes standard with 20W (Phase Cut) Dimmable driver
 Phase Table Light comes standard with 24W (Phase Cut) Dimmable driver
 Phase Small Pendant comes standard with 30W (Phase Cut) Dimmable driver
 Phase Large Pendant comes standard with 100W (Phase Cut) Dimmable driver

All above listed dimmers & drivers are a separate purchase, they are a flat ex-tax no discounts to be applied
 Any dimmers & drivers required not listed above will need to be either quoted separately or sourced by the client

FURNITURE



Resident

Jiro Dining Chair - Stackable



John Tree | 2023

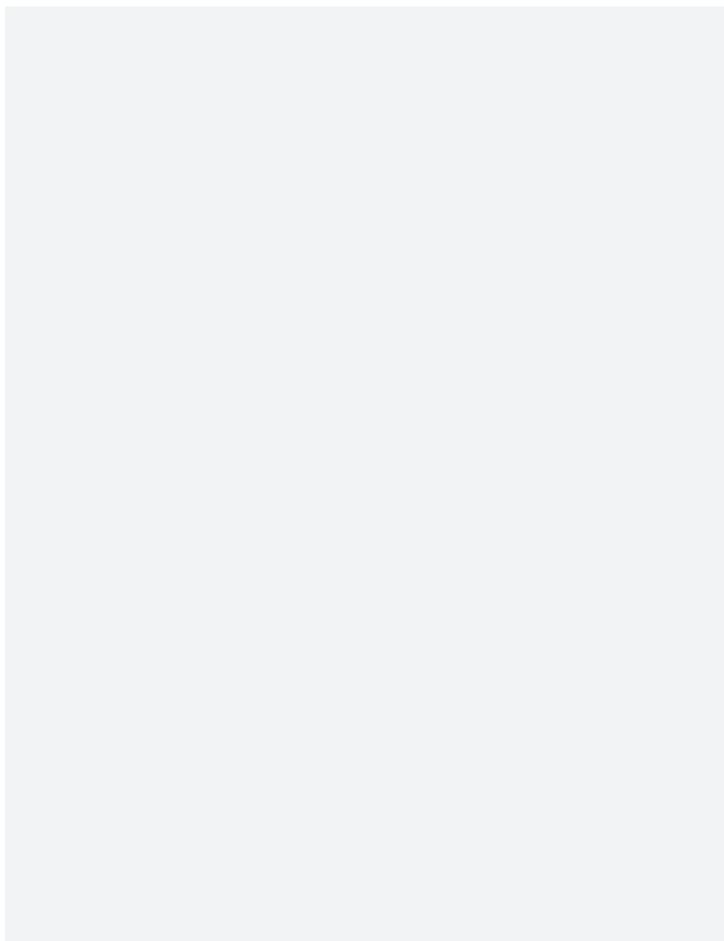
The Jiro Dining Chair is a unique and versatile piece that offers maximum comfort with minimalist design elements. With its signature flexible plywood backrest, this chair offers dynamic and responsive support in all positions.

A hardworking steel base allows for high performance in dining and work spaces across both commercial and residential environments.

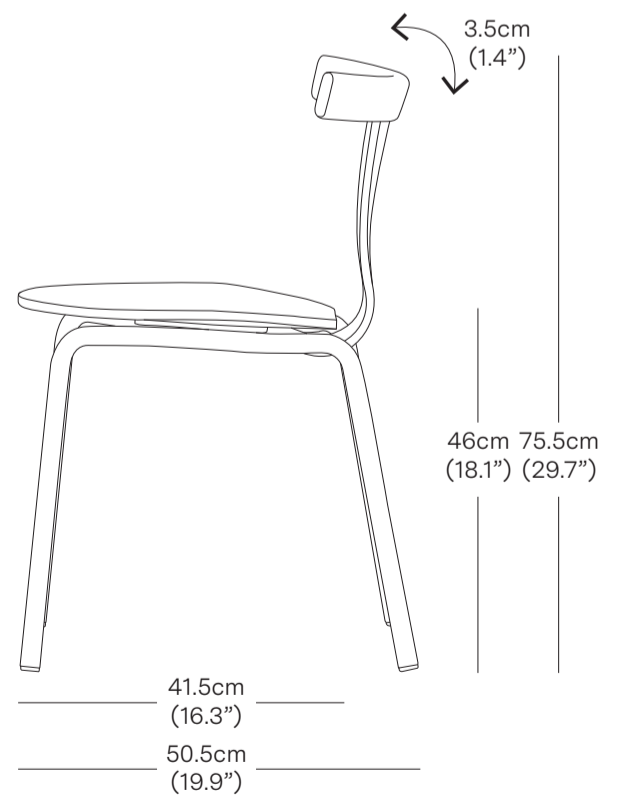
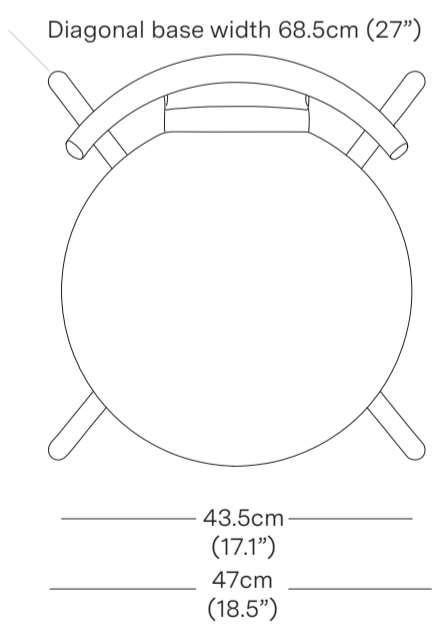
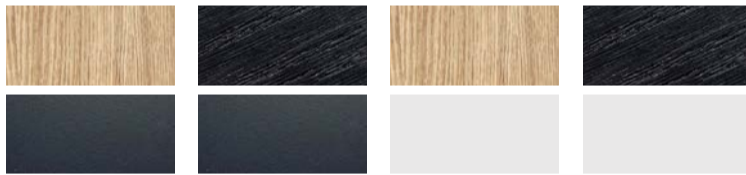
The Jiro Dining Chair stacks up to six units high and comes with a black or white base.

MATERIALS
Aluminium, Oak Veneer
PRODUCT ENVIRONMENT
Indoor Use Only
CONTRACT USE
Yes
CERTIFICATION
FSC Certified Wood
WARRANTY
5 years
COUNTRY OF ORIGIN
Hungary

CODE	PRODUCT	PRICE
JIR004NB	Jiro 4 Leg Chair - Natural - Black Base	€864
JIR004BB	Jiro 4 Leg Chair - Black - Black Base	€864
JIR004NW	Jiro 4 Leg Chair - Natural - White Base	€864
JIR004BW	Jiro 4 Leg Chair - Black - White Base	€864



FINISHES	PRODUCT WEIGHT
natural/black black/black natural/white black/white	6.3kg (13.9 lbs)



PACKAGED DIMENSIONS		
L x W x H	Cubage	Weight
Box 1		
53 x 53 x 80 cm	0.22 m3	8.3 kg
20.9 x 20.9 x 31.5 in	7.9 ft3	18.2 lbs
COMMODITY CODE	94033000	

* Components drawn in relative scale. Refer to CAD files for accurate drawings.

Jiro Dining Chair - Upholstered



John Tree | 2023

The Jiro Dining Chair is a unique and versatile piece that offers maximum comfort with minimalist design elements. With its signature flexible plywood backrest, this chair offers dynamic and responsive support in all positions.

A hardworking steel base allows for high performance in dining and work spaces across both commercial and residential environments.

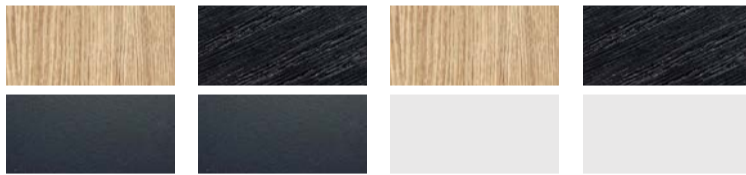
The Jiro 4 Leg Chair stacks up to six units high and comes with a black or white base.

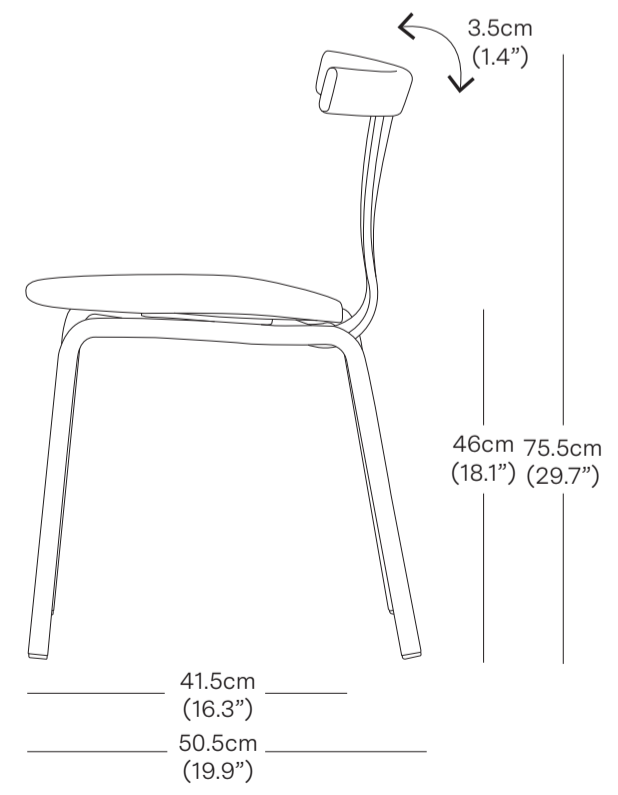
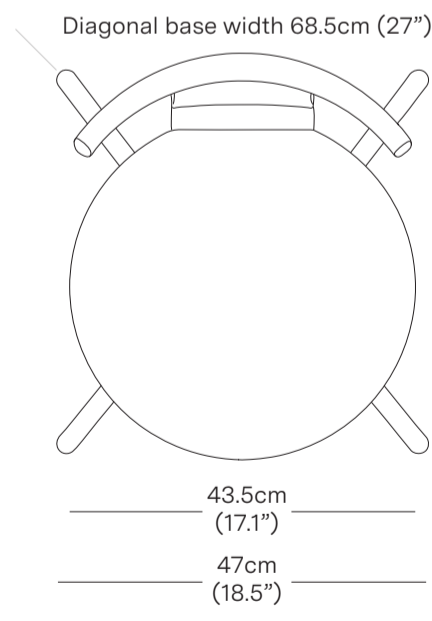
MATERIALS
Aluminium , Oak Veneer, Upholstered Foam Pad
PRODUCT ENVIRONMENT
Indoor Use Only
CONTRACT USE
Yes
CERTIFICATION
CAL 117-2013, BS 5852 Crib 5*, EN 1021-1 EN 1021-5, FSC Certified Wood
WARRANTY
5 years
COUNTRY OF ORIGIN
Hungary

CODE	PRODUCT
JIR004NBU	Jiro 4 Leg Chair - Natural - Black Base
JIR004BBU	Jiro 4 Leg Chair - Black - Black Base
JIR004NWU	Jiro 4 Leg Chair - Natural - White Base
JIR004BWU	Jiro 4 Leg Chair - Black - White Base

CATEGORY	PRODUCT	PRICE
1	Maharam Mode / COM	€ 954
2	Camira Synergy / Mainline Flax	€1020
3	Kvadrat Hallingdal 65 / Sorensen Envy	€1104

UPHOLSTERY USAGE
COM
0.7 m (0.8 yd)
COL
1.2 m2 (12.9 ft2)
UPHOLSTERY DETAILS
Please see page 84-85

FINISHES	PRODUCT WEIGHT
natural/black black/black natural/white black/white	6.3 kg (13.89 lbs)
	



PACKAGED DIMENSIONS		
L x W x H	Cubage	Weight
Box 1		
53 x 53 x 80 cm	0.22 m3	8.3 kg
20.9 x 20.9 x 31.5 in	7.9 ft3	18.2 lbs

COMMODITY CODE	94033000
-----------------------	----------

* Components drawn in relative scale. Refer to CAD files for accurate drawings.

Jiro Bar Stool



John Tree | 2023

The Jiro Swivel Stool is a unique and versatile furniture piece that offers maximum comfort with minimalist design elements.

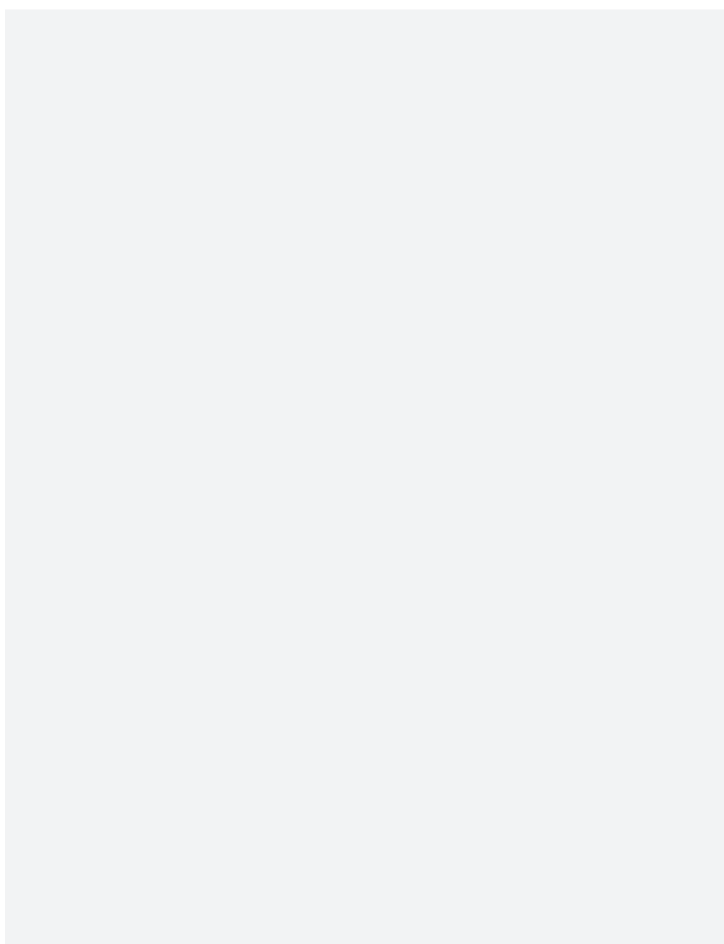
A finely balanced oak seat and back combine with Residents 4-star die-cast base to provide ergonomic, dynamic and responsive support.

The Jiro Swivel Stool comes complete with a 360-degree swivel return mechanism, which ensures a consistent forward-facing orientation.

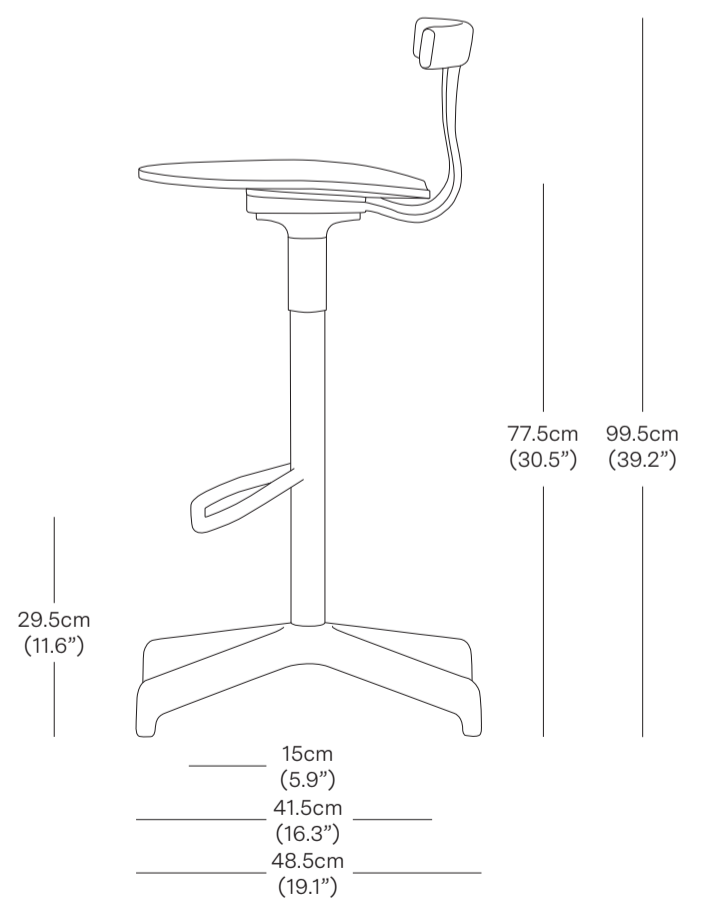
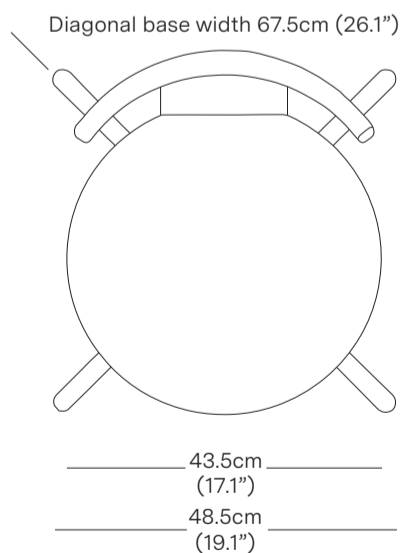
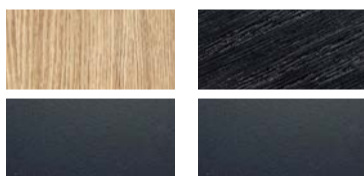
Available in counter and bar heights, Jiro Swivel stools are appropriate as a stool in both home and hospitality environments.

MATERIALS	Aluminium, Oak Veneer
PRODUCT ENVIRONMENT	Indoor Use Only
CONTRACT USE	Yes
CERTIFICATION	FSC Certified Wood
WARRANTY	5 years
COUNTRY OF ORIGIN	Hungary

CODE	PRODUCT	PRICE
JIR003NB	Jiro Bar Stool - Natural - Black Base	€834
JIR003BB	Jiro Bar Stool - Black - Black Base	€834



FINISHES	natural/black black/black	PRODUCT WEIGHT	9.4 kg (20.7lbs)
-----------------	---------------------------	-----------------------	------------------



PACKAGED DIMENSIONS		
L x W x H	Cubage	Weight
Box 1		
53 x 53 x 107 cm	0.30 m ³	11.4kg
20.9 x 20.9 x 42.1 in	10.6 ft ³	25.13 lbs
COMMODITY CODE	94033000	

* Components drawn in relative scale. Refer to CAD files for accurate drawings.

Jiro Bar Stool - Upholstered



John Tree | 2023

The Jiro Swivel Stool is a unique and versatile furniture piece that offers maximum comfort with minimalist design elements.

A finely balanced oak seat and back combine with Residents 4-star die-cast base to provide ergonomic, dynamic and responsive support.

The Jiro Swivel Stool comes complete with a 360-degree swivel return mechanism, which ensures a consistent forward-facing orientation.

Available in counter and bar heights, Jiro Swivel stools are appropriate as a stool in both home and hospitality environments.

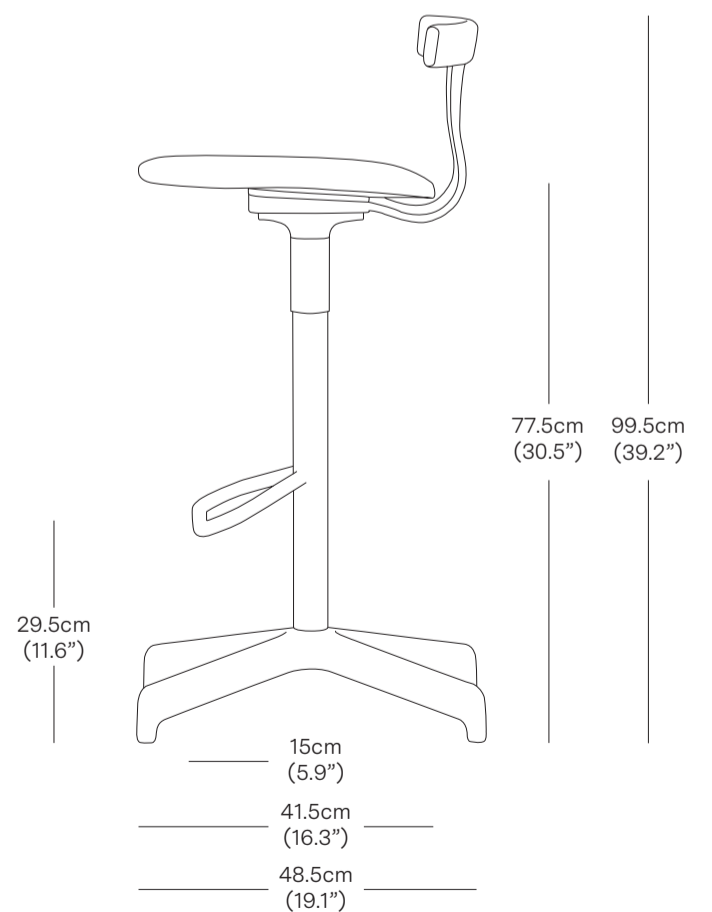
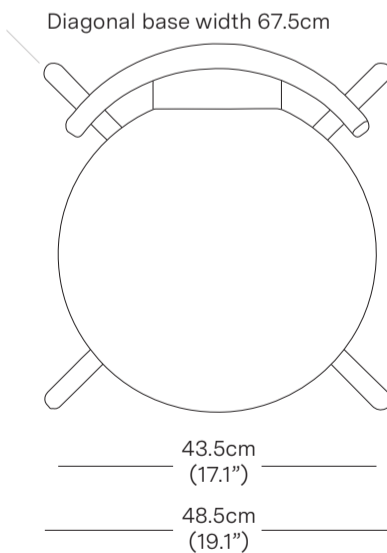
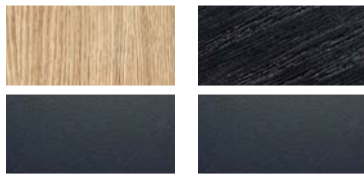
MATERIALS
Aluminium , Oak Veneer, Upholstered Foam Pad
PRODUCT ENVIRONMENT
Indoor Use Only
CONTRACT USE
Yes
CERTIFICATION
CAL 117-2013, BS 5852 Crib 5*, EN 1021-1 EN 1021-5, FSC Certified Wood
WARRANTY
5 years
COUNTRY OF ORIGIN
Hungary

CODE	PRODUCT
JIR003NBU	Jiro Bar Stool - Natural - Black Base
JIR003BBU	Jiro Bar Stool - Black - Black Base

CATEGORY	PRODUCT	PRICE
1	Maharam Mode / COM	€930
2	Camira Synergy / Mainline Flax	€996
3	Kvadrat Hallingdal 65 / Sorensen Envy	€1080

UPHOLSTERY USAGE
COM
0.7 m (0.8 yd)
COL
1.2 m2 (12.9 ft2)
UPHOLSTERY DETAILS
Please see page 84-85

FINISHES	PRODUCT WEIGHT
natural/black black/black	9.4 kg (20.7 lbs)



PACKAGED DIMENSIONS		
L x W x H	Cubage	Weight
Box 1		
53 x 53 x 107 cm	0.30 m3	11.4 kg
20.9 x 20.9 x 42.1 in	11.6 ft3	25.1 lbs
COMMODITY CODE	94033000	

* Components drawn in relative scale. Refer to CAD files for accurate drawings.

Jiro Counter Stool

New



John Tree | 2023

The Jiro Swivel Stool is a unique and versatile furniture piece that offers maximum comfort with minimalist design elements.

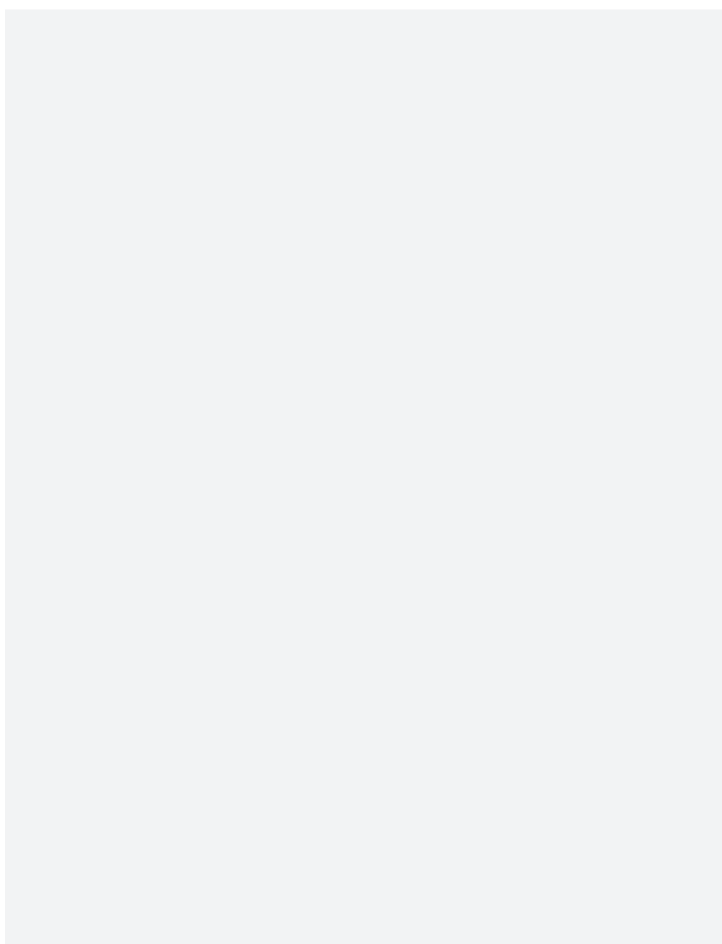
A finely balanced oak seat and back combine with Residents 4-star die-cast base to provide ergonomic, dynamic and responsive support.

The Jiro Swivel Stool comes complete with a 360-degree swivel return mechanism, which ensures a consistent forward-facing orientation.

Available in counter and bar heights, Jiro Swivel stools are appropriate as a stool in both home and hospitality environments.

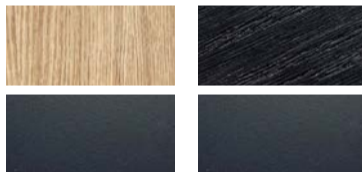
MATERIALS
Aluminium, Oak Veneer
PRODUCT ENVIRONMENT
Indoor Use Only
CONTRACT USE
Yes
CERTIFICATION
FSC Certified Wood
WARRANTY
5 years
COUNTRY OF ORIGIN
Hungary

CODE	PRODUCT	PRICE
JIR002NB	Jiro Counter Stool - Natural - Black Base	€834
JIR002BB	Jiro Counter Stool - Black - Black Base	€834



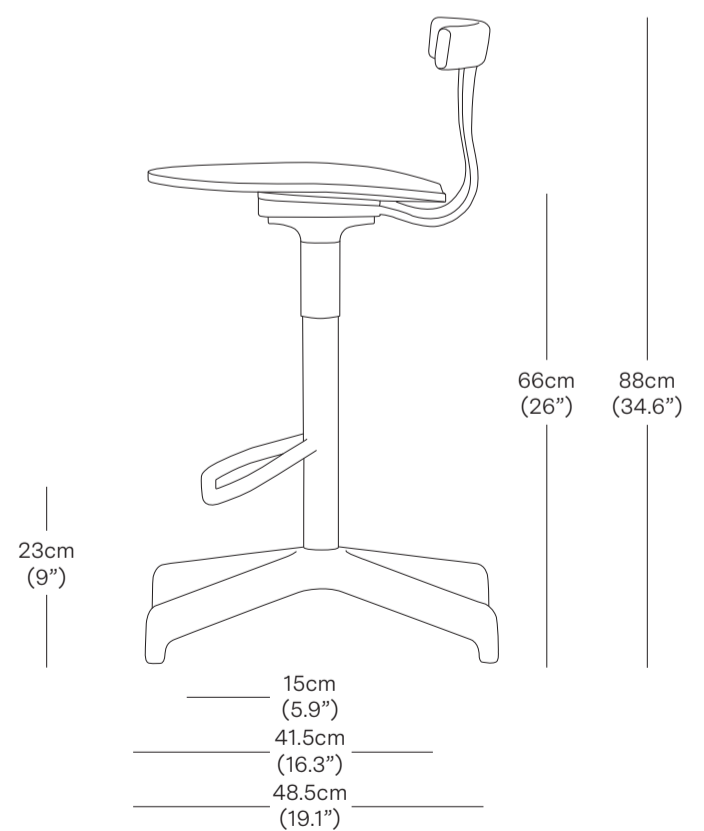
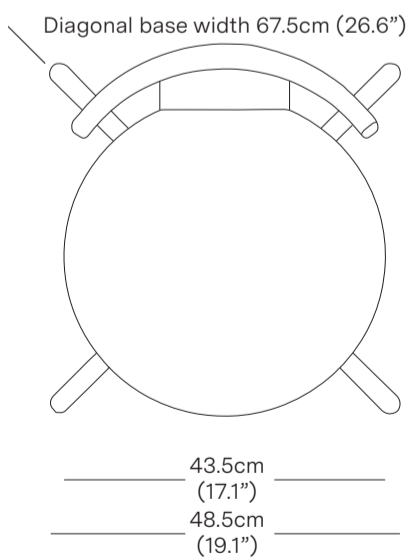
FINISHES

natural/black black/black



PRODUCT WEIGHT

10.3 kg (22.7 lbs)



PACKAGED DIMENSIONS		
L x W x H	Cubage	Weight
Box 1		
53 x 53 x 95 cm	0.27 m ³	12.3 kg
20.9 x 20.9 x 37.4 in	9.4 ft ³	27.1 lbs
COMMODITY CODE	94033000	

* Components drawn in relative scale. Refer to CAD files for accurate drawings.

Resident

Jiro Counter Stool - Upholstered



John Tree | 2023

The Jiro Swivel Stool is a unique and versatile furniture piece that offers maximum comfort with minimalist design elements.

A finely balanced oak seat and back combine with Residents 4-star die-cast base to provide ergonomic, dynamic and responsive support.

The Jiro Swivel Stool comes complete with a 360-degree swivel return mechanism, which ensures a consistent forward-facing orientation.

Available in counter and bar heights, Jiro Swivel stools are appropriate as a stool in both home and hospitality environments.

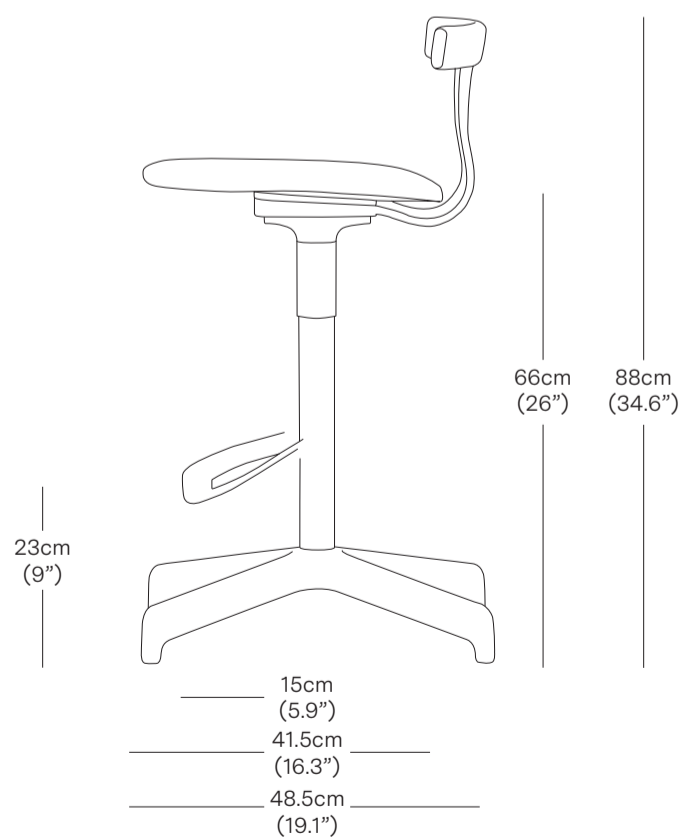
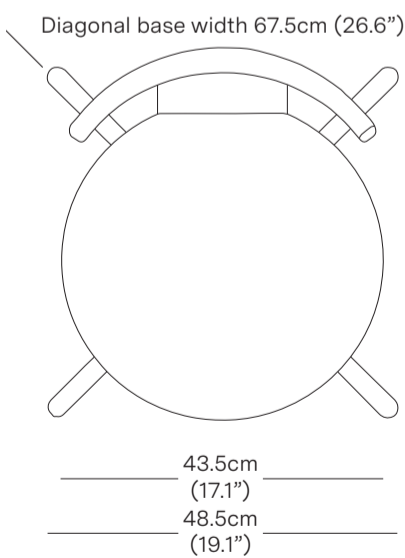
MATERIALS	Aluminium , Oak Veneer, Upholstered Foam Pad
PRODUCT ENVIRONMENT	Indoor Use Only
CONTRACT USE	Yes
CERTIFICATION	CAL 117-2013, BS 5852 Crib 5*, EN 1021-1 EN 1021-5, FSC Certified Wood
WARRANTY	5 years
COUNTRY OF ORIGIN	Hungary

CODE	PRODUCT	
JIR002NBU	Jiro Counter Stool - Natural - Black Base	
JIR002BBU	Jiro Counter Stool - Black - Black Base	
CATEGORY	PRODUCT	PRICE
1	Maharam Mode / COM	€930
2	Camira Synergy / Mainline Flax	€996
3	Kvadrat Hallingdal 65 / Sorensen Envy	€1080

UPHOLSTERY USAGE	COM
	0.7 m (0.8 yd)
COL	1.2 m2 (12.9 ft2)
UPHOLSTERY DETAILS	Please see page 84-85

FINISHES	PRODUCT WEIGHT
natural/black black/black	10.3 kg (22.7 lbs)

PACKAGED DIMENSIONS		
L x W x H	Cubage	Weight
Box 1		
53 x 53 x 95 cm	0.27 m3	12.3kg
20.9 x 20.9 x 37.4 in	9.4 ft3	27.1 lbs
COMMODITY CODE	94033000	



* Components drawn in relative scale. Refer to CAD files for accurate drawings.

Jiro Swivel Chair



John Tree | 2020

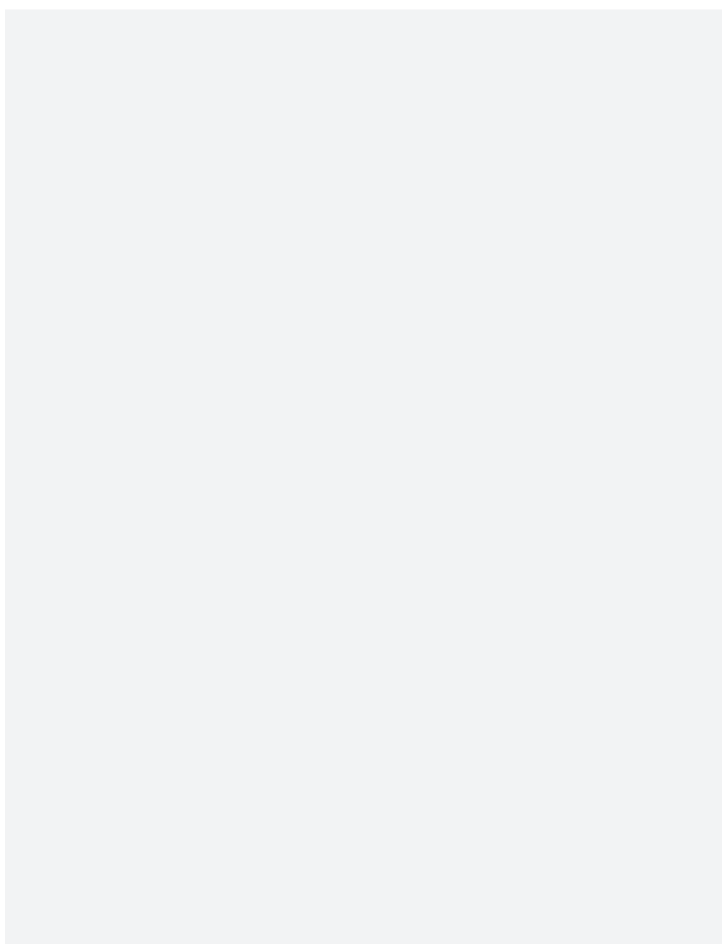
The Jiro Swivel Chair challenges traditional workplace seating by offering maximum comfort with minimalist design elements.

A finely balanced oak construction with a 4 star die-cast base provides ergonomic, dynamic and responsive support in a design that is as comfortable in a home office as it is in the boardroom.

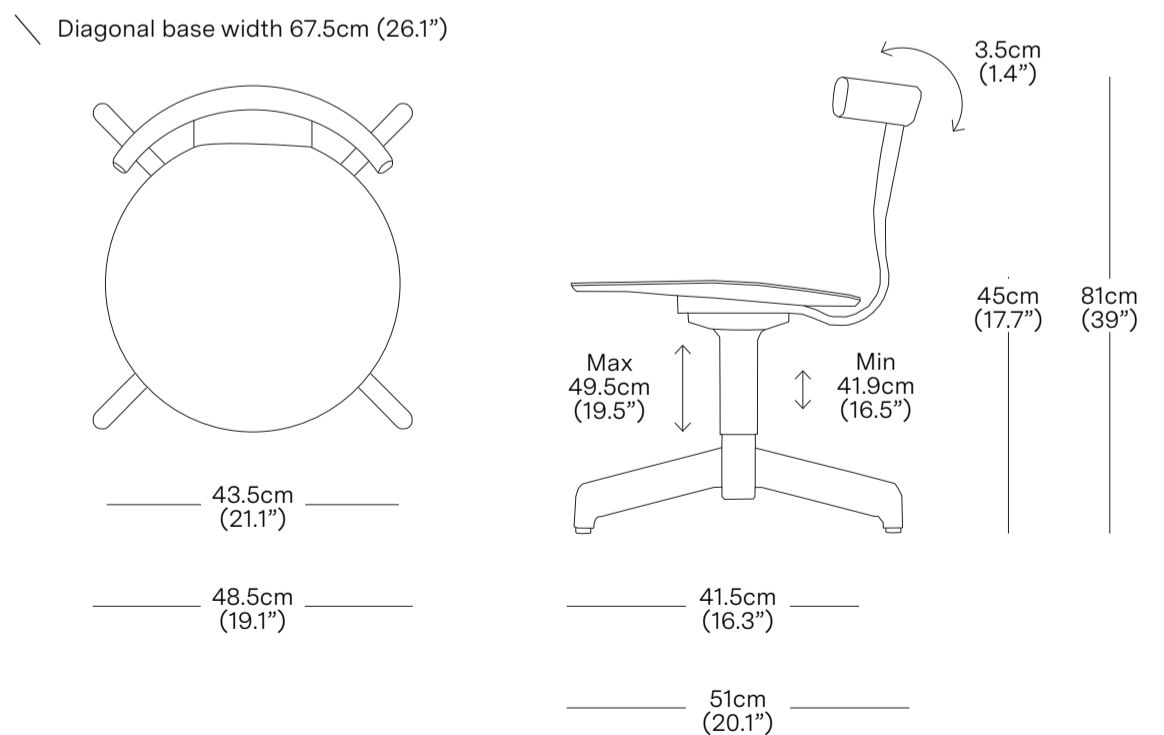
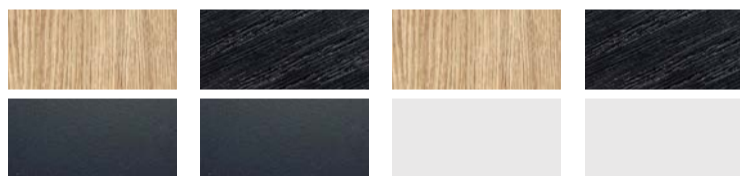
Jiro is offered in a variety of configurations that include: casters, height adjustable gas lift and upholstered seat pads, making Jiro the ultimate seating solution for a variety of dynamic locations.

MATERIALS
Aluminium, Oak Veneer
PRODUCT ENVIRONMENT
Indoor Use Only
CONTRACT USE
Yes
CERTIFICATION
FSC Certified Wood
WARRANTY
5 years
COUNTRY OF ORIGIN
Hungary

CODE	PRODUCT	PRICE
JIR001NB	Jiro Swivel Chair - Natural with Black Base	€780
JIR001BB	Jiro Swivel Chair - Black with Black Base	€780
JIR001NW	Jiro Swivel Chair - Natural with White Base	€780
JIR001BW	Jiro Swivel Chair - Black with White Base	€780



FINISHES	PRODUCT WEIGHT
natural/black black/black natural/white black/white	7.4 kg (16.3 lbs)



PACKAGED DIMENSIONS		
L x W x H	Cubage	Weight
Box 1		
53 x 53 x 80 cm	0.22 m3	9.4 kg
20.9 x 20.9 x 31.5 in	7.9 ft3	20.7 lbs
COMMODITY CODE	94033000	

* Components drawn in relative scale. Refer to CAD files for accurate drawings.

Jiro Swivel Chair with Casters



John Tree | 2020

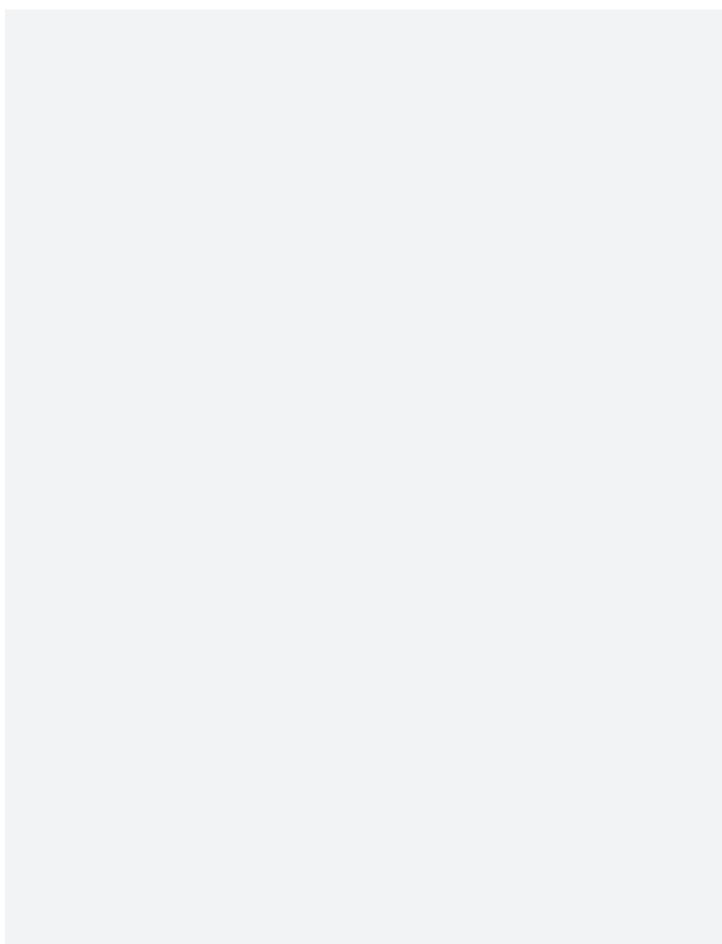
The Jiro Swivel Chair challenges traditional workplace seating by offering maximum comfort with minimalist design elements.

A finely balanced oak construction with a 4 star die-cast base provides ergonomic, dynamic and responsive support in a design that is as comfortable in a home office as it is in the boardroom.

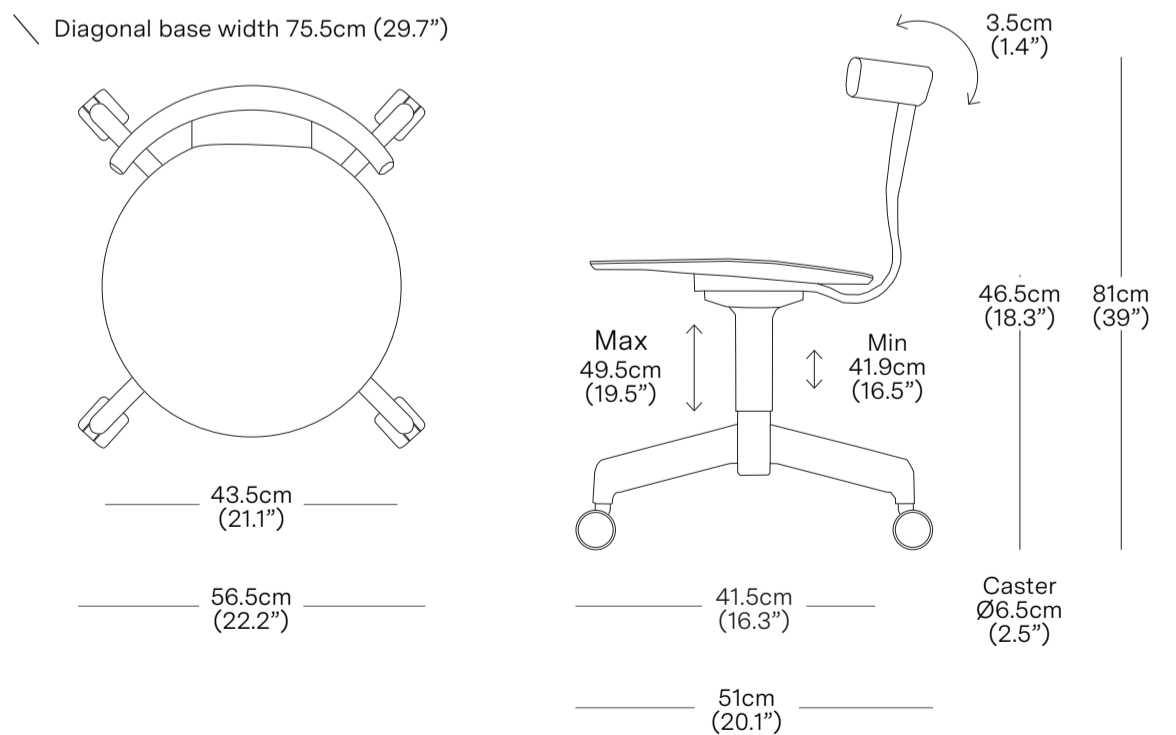
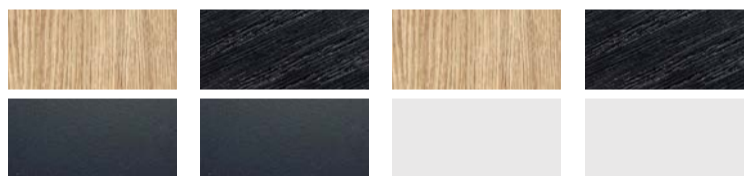
Jiro is offered in a variety of configurations that include: casters, height adjustable gas lift and upholstered seat pads, making Jiro the ultimate seating solution for a variety of dynamic locations.

MATERIALS
Aluminium, Oak Veneer
PRODUCT ENVIRONMENT
Indoor Use Only
CONTRACT USE
Yes
CERTIFICATION
FSC Certified Wood
WARRANTY
5 years
COUNTRY OF ORIGIN
Hungary

CODE	PRODUCT	PRICE
JIR001NBC	Jiro Swivel Chair - Natural with Black Base	€780
JIR001BBC	Jiro Swivel Chair - Black with Black Base	€780
JIR001NWC	Jiro Swivel Chair - Natural with White Base	€780
JIR001BWC	Jiro Swivel Chair - Black with White Base	€780



FINISHES	PRODUCT WEIGHT
natural/black black/black natural/white black/white	8.0 kg (17.6 lbs)



PACKAGED DIMENSIONS		
L x W x H	Cubage	Weight
Box 1		
54 x 53 x 80 cm	0.22 m3	10 kg
20.9 x 20.9 x 31.5 in	7.9 ft3	22.1 lbs
COMMODITY CODE	94033000	

* Components drawn in relative scale. Refer to CAD files for accurate drawings.

Jiro Swivel Chair - Upholstered



John Tree | 2020

The Jiro Swivel Chair challenges traditional workplace seating by offering maximum comfort with minimalist design elements.

A finely balanced oak construction with a 4 star die-cast base provides ergonomic, dynamic and responsive support in a design that is as comfortable in a home office as it is in the boardroom.

Jiro is offered in a variety of configurations that include: casters, height adjustable gas lift and upholstered seat pads, making Jiro the ultimate seating solution for a variety of dynamic locations.

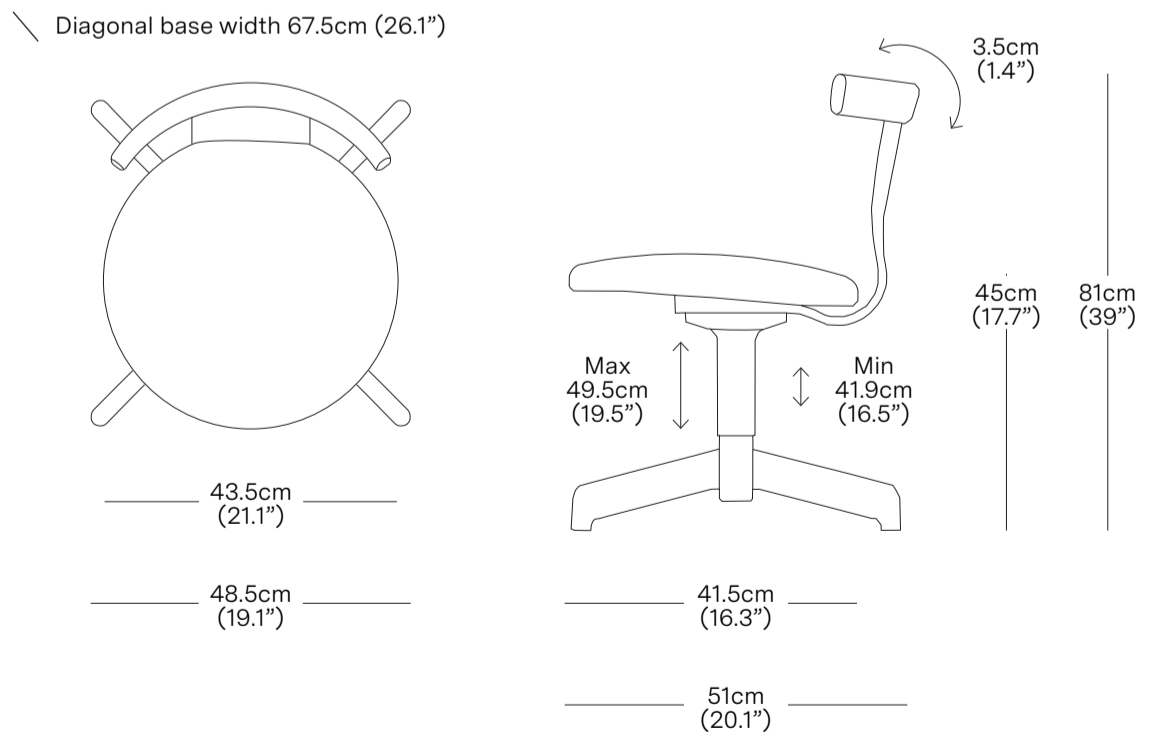
MATERIALS
Aluminium , Oak Veneer, Upholstered Foam Pad
PRODUCT ENVIRONMENT
Indoor Use Only
CONTRACT USE
Yes
CERTIFICATION
CAL 117-2013, BS 5852 Crib 5*, EN 1021-1 EN 1021-5, FSC Certified Wood
WARRANTY
5 years
COUNTRY OF ORIGIN
Hungary

CODE	PRODUCT	
JIR001NBU	Jiro Swivel Chair - Natural with Black Base	
JIR001BWU	Jiro Swivel Chair - Black with Black Base	
JIR001NWU	Jiro Swivel Chair - Natural with White Base	
JIR001BWU	Jiro Swivel Chair - Black with White Base	
CATEGORY	PRODUCT	PRICE
1	Maharam Mode / COM	€900
2	Camira Synergy / Mainline Flax	€996
3	Kvadrat Hallingdal 65 / Sorensen Envy	€1080

UPHOLSTERY USAGE
COM
0.7 m (0.8 yd)
COL
1.2 m2 (12.9 ft2)
UPHOLSTERY DETAILS
Please see page 84-85

FINISHES	PRODUCT WEIGHT
natural/black black/black natural/white black/white	7.4 kg (16.3 lbs)

PACKAGED DIMENSIONS		
L x W x H	Cubage	Weight
Box 1		
53 x 53 x 80 cm	0.22 m3	9.4 kg
20.9 x 20.9 x 31.5 in	7.9 ft3	20.7 lbs
COMMODITY CODE	94033000	



* Components drawn in relative scale. Refer to CAD files for accurate drawings.

Jiro Swivel Chair with Casters - Upholstered

John Tree | 2020

The Jiro Swivel Chair challenges traditional workplace seating by offering maximum comfort with minimalist design elements.

A finely balanced oak construction with a 4 star die-cast base provides ergonomic, dynamic and responsive support in a design that is as comfortable in a home office as it is in the boardroom.

Jiro is offered in a variety of configurations that include: casters, height adjustable gas lift and upholstered seat pads, making Jiro the ultimate seating solution for a variety of dynamic locations.



MATERIALS

Aluminium , Oak Veneer, Upholstered Foam Pad

PRODUCT ENVIRONMENT

Indoor Use Only

CONTRACT USE

Yes

CERTIFICATION

CAL 117-2013, BS 5852 Crib 5*, EN 1021-1 EN 1021-5, FSC Certified Wood

WARRANTY

5 years

COUNTRY OF ORIGIN

Hungary

CODE

JIR001NBCU

PRODUCT

Jiro Swivel Chair - Natural with Black Base

JIR001BBCU

Jiro Swivel Chair - Black with Black Base

JIR001NWCU

Jiro Swivel Chair - Natural with White Base

JIR001BWCU

Jiro Swivel Chair - Black with White Base

CATEGORY

1

Maharam Mode / COM

PRICE

€900

2

Camira Synergy / Mainline Flax

€996

3

Kvadrat Hallingdal 65 / Sorensen Envy

€1080

UPHOLSTERY USAGE

COM

0.7 m (0.8 yd)

COL

1.2 m² (12.9 ft²)

UPHOLSTERY DETAILS

Please see page 84-85

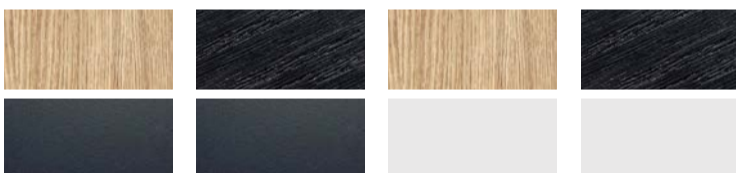
FINISHES

natural/black

black/black

natural/white

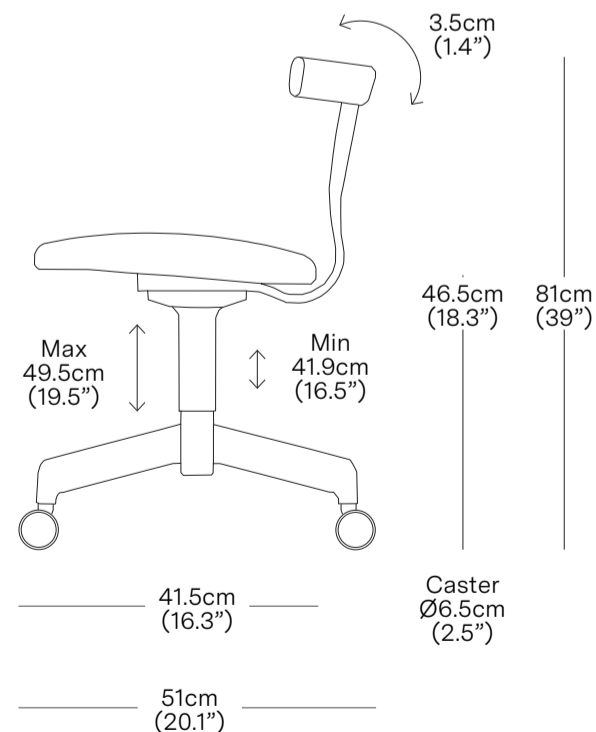
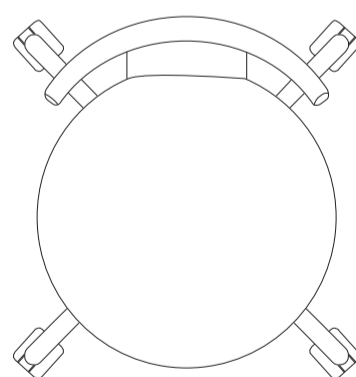
black/white



PRODUCT WEIGHT

8.0 kg (17.6 lbs)

Diagonal base width 75.5cm (29.7")



PACKAGED DIMENSIONS

L x W x H

Cubage

Weight

Box 1

53 x 53 x 80 cm

0.22 m³

10.1 kg

20.9 x 20.9 x 31.5 in

7.9 ft³

22.3 lbs

COMMODITY CODE

94033000

* Components drawn in relative scale. Refer to CAD files for accurate drawings.

Resident

Odin Chair - Black

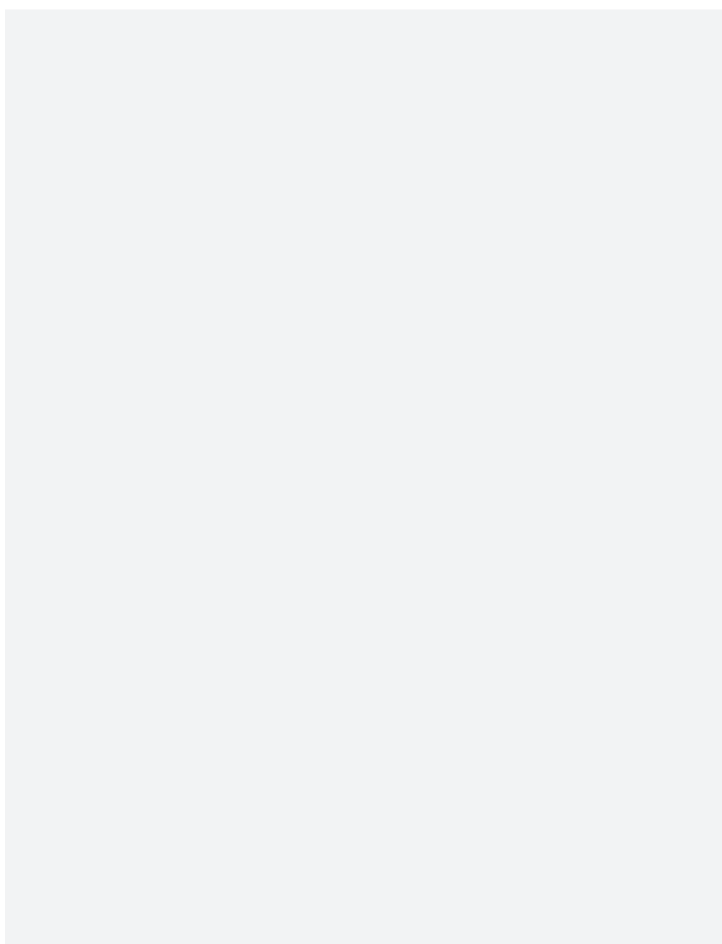


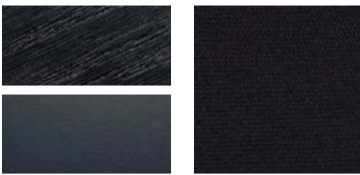
Jamie McLellan | 2016

The Odin Chair started life as a commission for a series of boutique alpine properties in Niseko, Japan. Simultaneously humble and striking, the Odin chair was designed to cross-reference Nordic and Japanese cultures. There is a structural harmony in the combination of the die-cast aluminium legs that cradle the solid ash seat and curved backrest.

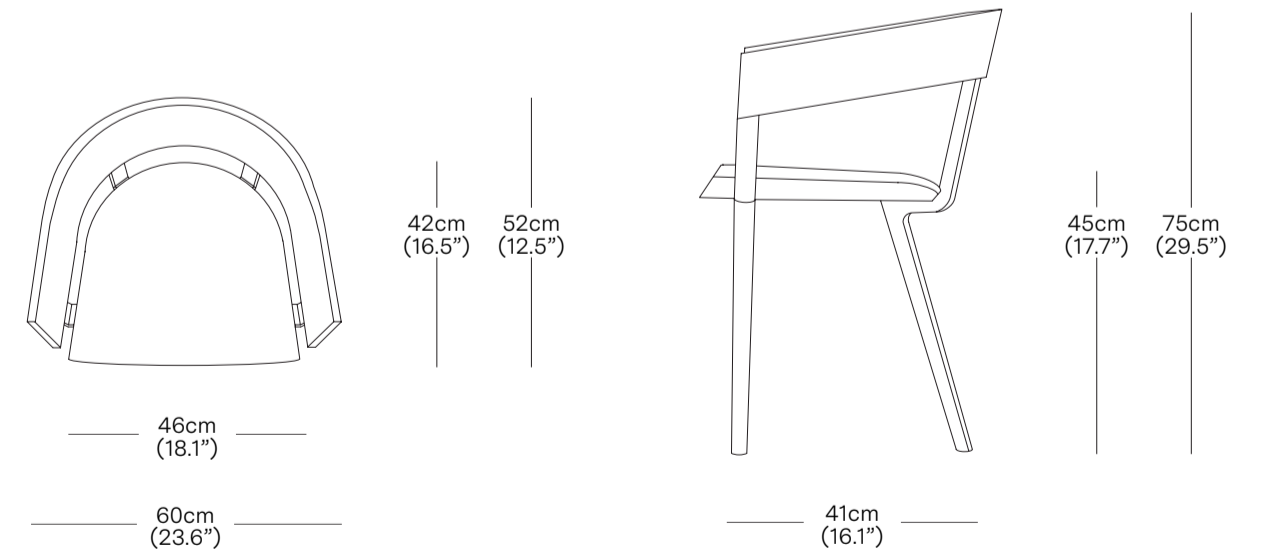
MATERIALS
Ash Veneer, Cast Aluminium, Upholstered Ply
PRODUCT ENVIRONMENT
Indoor Use Only
CONTRACT USE
Yes
CERTIFICATION
FSC Certified Wood
WARRANTY
3 years
COUNTRY OF ORIGIN
Sweden

CODE	PRODUCT	PRICE
ODN001B	Odin Chair - Black	€1188
ODN001BU	Odin Chair Upholstered - Black	€1500



FINISHES	PRODUCT WEIGHT
black ash upholstery onyx 029	9.3 kg (20.5 lbs)
	

PACKAGED DIMENSIONS		
L x W x H	Cubage	Weight
Box 1		
59 x 64 x 80 cm	0.30 m3	9.7 kg
23.2 x 25.2 x 31.5 in	10.7 ft3	21.4 lbs
COMMODITY CODE	94036010	



* Components drawn in relative scale. Refer to CAD files for accurate drawings.

Odin Chair - Natural

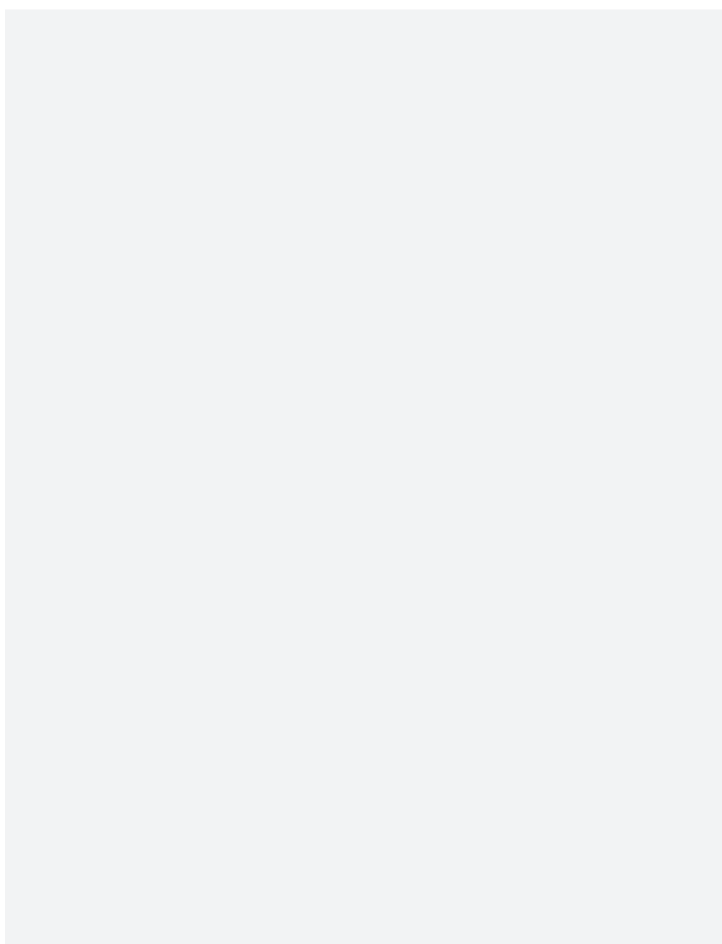


Jamie McLellan | 2016

The Odin Chair started life as a commission for a series of boutique alpine properties in Niseko, Japan. Simultaneously humble and striking, the Odin chair was designed to cross-reference Nordic and Japanese cultures. There is a structural harmony in the combination of the die-cast aluminium legs that cradle the solid ash seat and curved backrest.

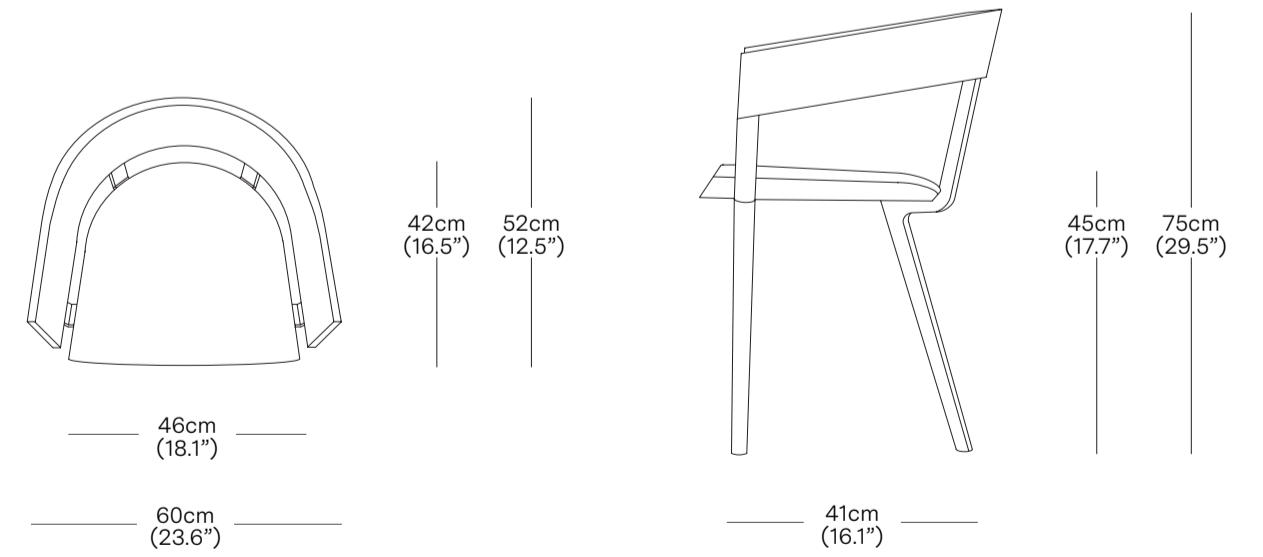
MATERIALS	Ash Veneer, Cast Aluminium, Upholstered Ply
PRODUCT ENVIRONMENT	Indoor Use Only
CONTRACT USE	Yes
CERTIFICATION	FSC Certified Wood
WARRANTY	3 years
COUNTRY OF ORIGIN	Sweden

CODE	PRODUCT	PRICE
ODN001N	Odin Chair - Natural	€1188
ODN001NU	Odin Chair Upholstered - Natural	€1500



FINISHES	PRODUCT WEIGHT
natural ash upholstery onyx 029	9.3 kg (20.5 lbs)

PACKAGED DIMENSIONS		
L x W x H	Cubage	Weight
Box 1		
59 x 64 x 80 cm	0.30 m3	9.7 kg
23.2 x 25.2 x 31.5 in	10.7 ft3	21.4 lbs
COMMODITY CODE	94036010	



* Components drawn in relative scale. Refer to CAD files for accurate drawings.

Offset Bench

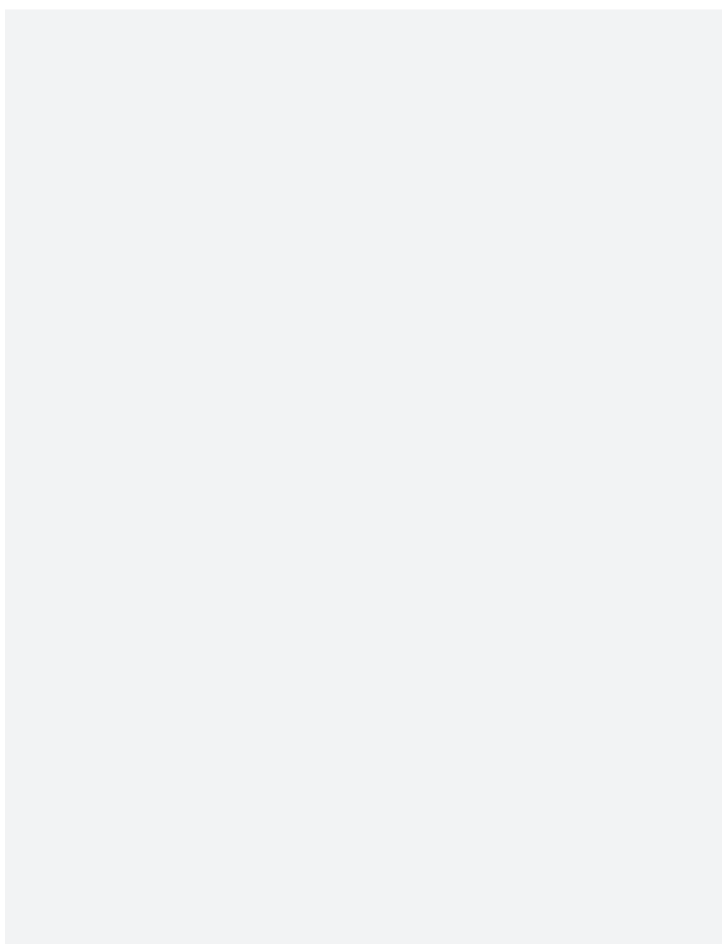


Philippe Malouin | 2021

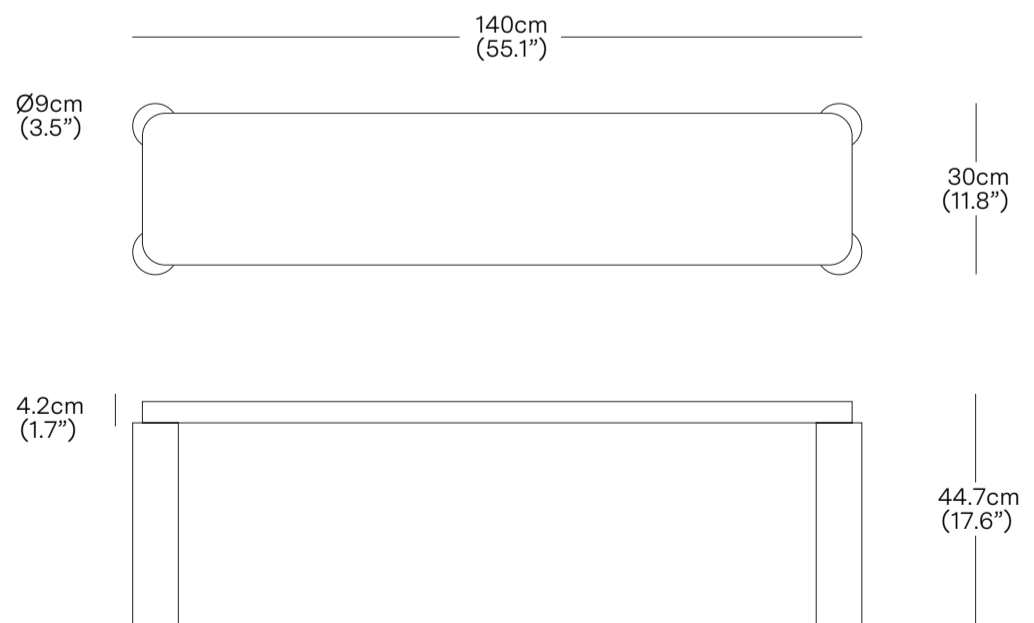
The Offset Bench is a bold and heavy duty furniture piece, which displays the beauty of solid oak in generous proportions. Each Offset leg attaches via an off-centre threaded connector, which enables the legs to locate themselves in an individualised and adjustable position.

MATERIALS	Solid Oak
PRODUCT ENVIRONMENT	Indoor Use Only
CONTRACT USE	Yes
CERTIFICATION	FSC Certified Wood
WARRANTY	3 years
COUNTRY OF ORIGIN	Lithuania

CODE	PRODUCT	PRICE
OFB002N	Offset Bench - Natural	€1860
OFB002U	Offset Bench - Umber	€2040



FINISHES	PRODUCT WEIGHT
natural umber	19.2 kg (42.3 lbs)



PACKAGED DIMENSIONS		
L x W x H	Cubage	Weight
Box 1 (Top)		
150 x 40 x 11 cm	0.06 m3	13.5 kg
59.1 x 15.6 x 4.1 in	2.2 ft3	29.8 lbs
Box 2 (Legs)		
54 x 48 x 16 cm	0.04 m3	8.5 kg
21.1 x 18.9 x 6.3 in	1.5 ft3	18.7 lbs
COMMODITY CODE	94036010	

* Components drawn in relative scale. Refer to CAD files for accurate drawings.

Offset Coffee Table



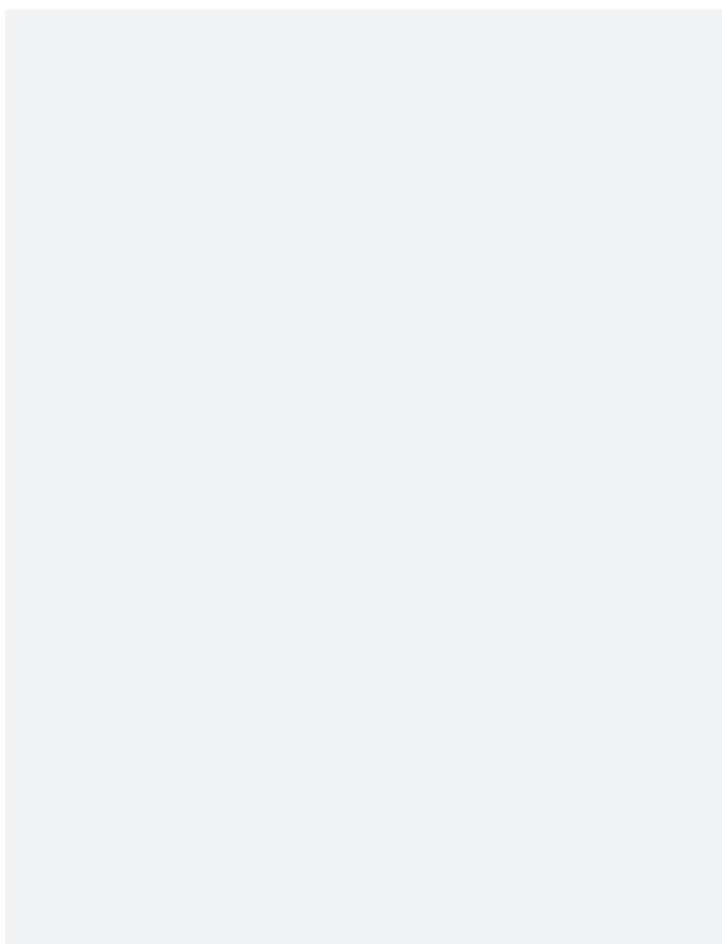
Philippe Malouin | 2017

The Offset Coffee Table is a playful and irregular screw-together furniture piece, which displays the beauty of solid oak in generous proportions. Each Offset leg attaches via an off-centre threaded connector, which enables the legs to be adjusted to an individualised position.

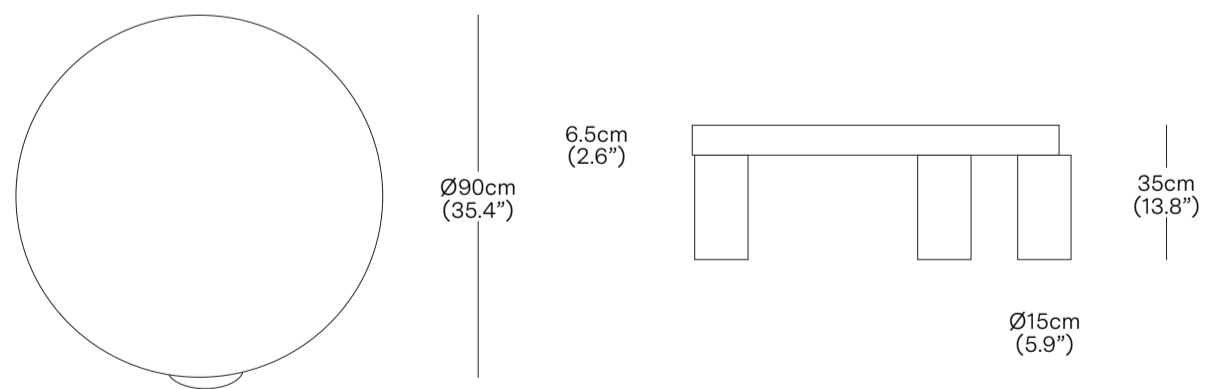
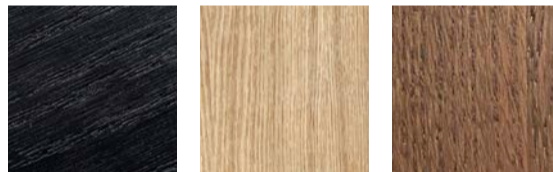
Solid, stable and hardwearing, this is a durably sophisticated piece for everyday use.

MATERIALS	Solid Oak
PRODUCT ENVIRONMENT	Indoor Use Only
CONTRACT USE	Yes
CERTIFICATION	FSC Certified Wood
WARRANTY	3 years
COUNTRY OF ORIGIN	Lithuania

CODE	PRODUCT	PRICE
OFT001B	Offset Coffee Table - Black	€3300
OFT001N	Offset Coffee Table - Natural	€3300
OFT001U	Offset Coffee Table - Umber	€3540



FINISHES	PRODUCT WEIGHT
black natural umber	40.0 kg (88.2 lbs)



PACKAGED DIMENSIONS		
L x W x H	Cubage	Weight
Box 1 (Table Top)		
94 x 94 x 8.5 cm	0.08 m ³	33.4 kg
37 x 37 x 3.3 in	2.65 ft ³	73.6 lbs
Box 2 (Legs)		
51 x 35 x 17 cm	0.03 m ³	11.6 kg
20.1 x 13.8 x 6.7 in	1.07 ft ³	35.8 lbs
COMMODITY CODE	94036010	

* Components drawn in relative scale. Refer to CAD files for accurate drawings.

Offset Dining Table



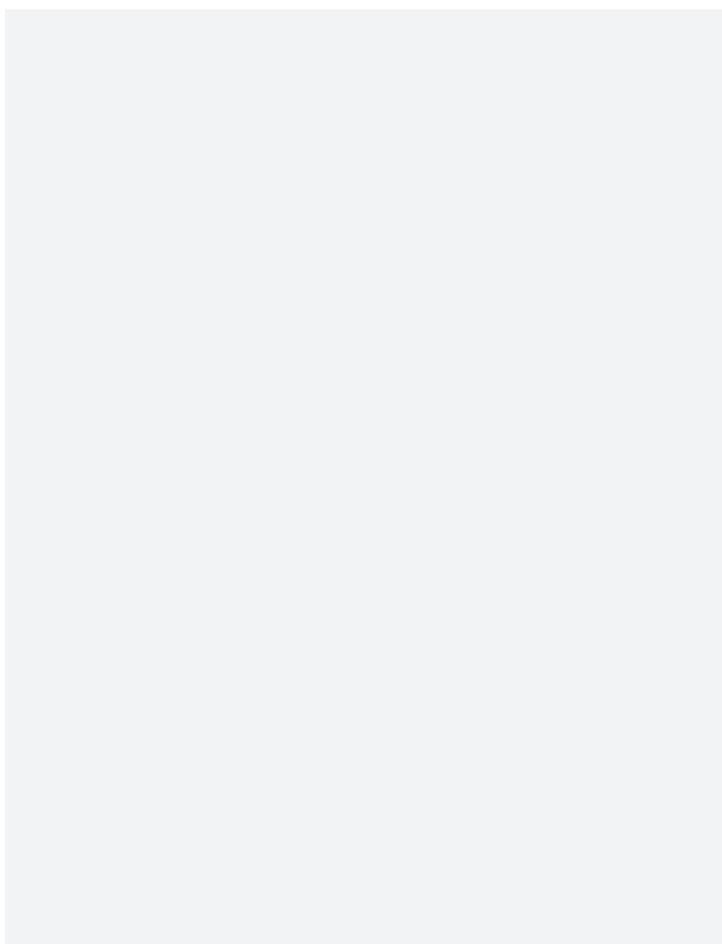
Philippe Malouin | 2018

The Offset Dining Table is a bold and heavy-duty furniture piece, which displays the beauty of solid oak in generous proportions. Each Offset leg attaches via an off-centre threaded connector, which enables the legs to be adjusted to an individualised position.

Solid, stable and hardwearing, this is a durably sophisticated piece for everyday use.

MATERIALS
Solid Oak
PRODUCT ENVIRONMENT
Indoor Use Only
CONTRACT USE
Yes
CERTIFICATION
FSC Certified Wood
WARRANTY
3 years
COUNTRY OF ORIGIN
Lithuania

CODE	PRODUCT
OFD001N	Offset Dining Table - Natural
OFD001U	Offset Dining Table - Umber

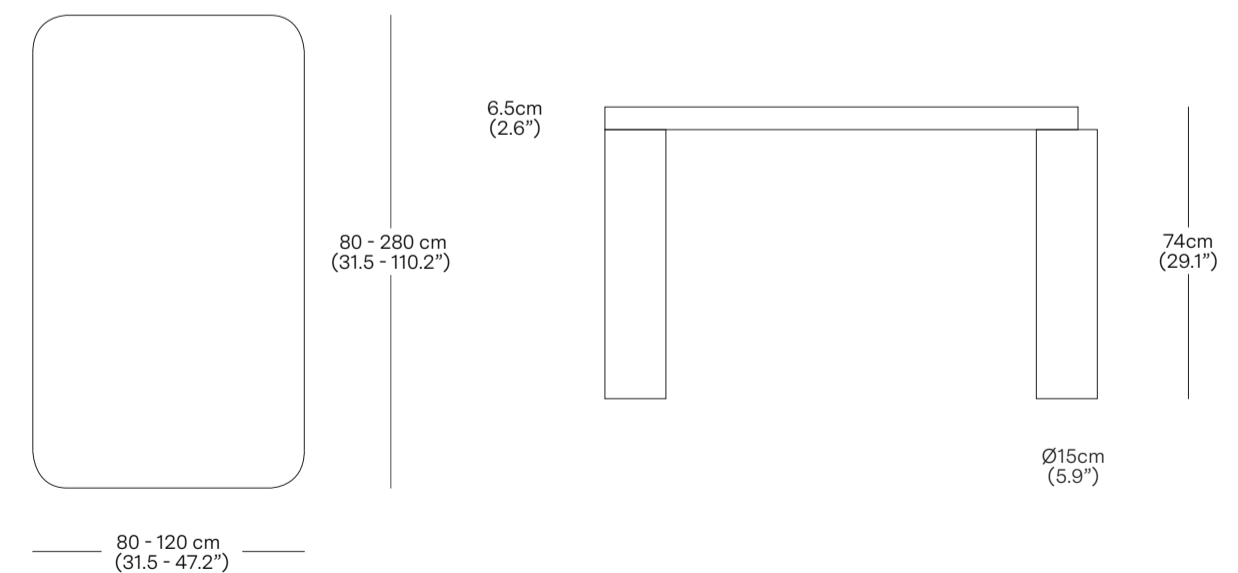


FINISHES

natural umber



PRODUCT WEIGHT



PACKAGED DIMENSIONS		
L x W x H	Cubage	Weight
Box 1 (Legs)		
74 x 40 x 30 cm	0.09 m3	37.0 kg
29.1 x 15.7 x 11.8 in	3.14 ft3	81.6 lbs
Box 2 (Table Top*)		
84 x 164 x 20 cm	0.28 m3	64.0 kg
33.1 x 64.6 x 7.9 in	9.73 ft3	141.1 lbs
COMMODITY CODE	94036010	
<small>*Box dimensions will vary based on table size.</small>		

* Components drawn in relative scale. Refer to CAD files for accurate drawings.

Offset Dining Table

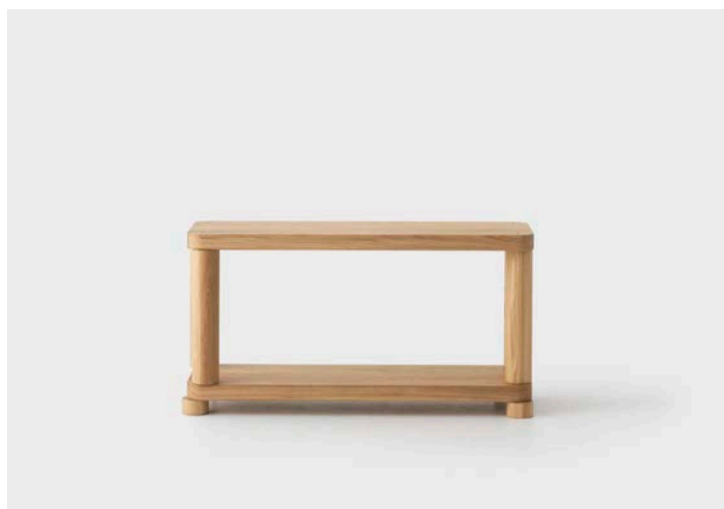
PRICE MATRIX	Natural					Umber				
	80cm, 31.5in	90cm, 35.4in	100cm, 39.4in	110cm, 43.4in	120cm, 47.2in	80cm, 31.5in	90cm, 35.4in	100cm, 39.4in	110cm, 43.4in	120cm, 47.2in
80cm,31.5in	€4350	€4700	€5070	€5430	€5790	€4700	€5080	€5480	€5860	€6250
90cm,35.4in	€4620	€4980	€5340	€5690	€6070	€4990	€5380	€5770	€6150	€6560
100cm,39.4in	€4880	€5250	€5600	€5980	€6330	€5270	€5670	€6050	€6460	€6840
110cm,43.3in	€5170	€5520	€5880	€6240	€6600	€5580	€5960	€6350	€6740	€7130
120cm,47.2in	€5430	€5790	€6150	€6500	€6880	€5860	€6250	€6640	€7020	€7430
130cm,51.2in	€5690	€6070	€6420	€6790	€7140	€6150	€6560	€6930	€7330	€7710
140cm,55.1in	€5980	€6330	€6690	€7050	€7420	€6460	€6840	€7230	€7610	€8010
150cm,59.1in	€6240	€6600	€6970	€7320	€7690	€6740	€7130	€7530	€7910	€8310
160cm,63.0in	€6500	€6880	€7230	€7600	€7950	€7020	€7430	€7810	€8210	€8590
170cm,66.9in	€6800	€7150	€7530	€7880	€8250	€7340	€7720	€8130	€8510	€8910
180cm,70.9in	€7100	€7470	€7830	€8180	€8540	€7670	€8070	€8460	€8830	€9220
190cm,74.8in	€7390	€7750	€8120	€8470	€8830	€7980	€8370	€8770	€9150	€9540
200cm,78.7in	€7690	€8040	€8420	€8770	€9130	€8310	€8680	€9090	€9470	€9860
210cm,82.7in	€7970	€8340	€8690	€9070	€9420	€8610	€9010	€9390	€9800	€10170
220cm,86.6in	€8280	€8640	€8990	€9350	€9720	€8940	€9330	€9710	€10100	€10500
230cm,90.6in	€8570	€8930	€9280	€9640	€10000	€9260	€9640	€10020	€10410	€10800
240cm,94.5in	€8850	€9230	€9580	€9940	€10300	€9560	€9970	€10350	€10740	€11120
250cm,98.4in	€9150	€9500	€9880	€10230	€10590	€9880	€10260	€10670	€11050	€11440
260cm,102.4in	€9440	€9800	€10170	€10530	€10890	€10200	€10580	€10980	€11370	€11760
270cm,106.3in	€9740	€10090	€10450	€10820	€11180	€10520	€10900	€11290	€11690	€12070
280cm,110.2in	€10040	€10390	€10750	€11120	€11480	€10840	€11220	€11610	€12010	€12400

Offset Shelf Small - 1 Tier

Philippe Malouin | 2021

The Offset Shelves are a premium storage and display unit, whose heavy duty silhouette highlights the beauty of solid oak.

The shelves have a unique playful element, with each vertical leg attaching via an adjustable off-centre threaded connector - enabling all legs to sit in an individualized position.



MATERIALS

Solid Oak

PRODUCT ENVIRONMENT

Indoor Use Only

CONTRACT USE

Yes

CERTIFICATION

FSC Certified Wood

WARRANTY

3 years

COUNTRY OF ORIGIN

Lithuania

CODE

OFS002N

OFS002U

PRODUCT

Offset Shelf Small Natural - 1 Tier

Offset Shelf Small Umber - 1 Tier

PRICE

€1860

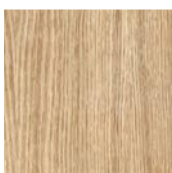
€2100*

*Check for availability of this finish. If out of stock, MOQ x 5 pcs

FINISHES

natural

umber

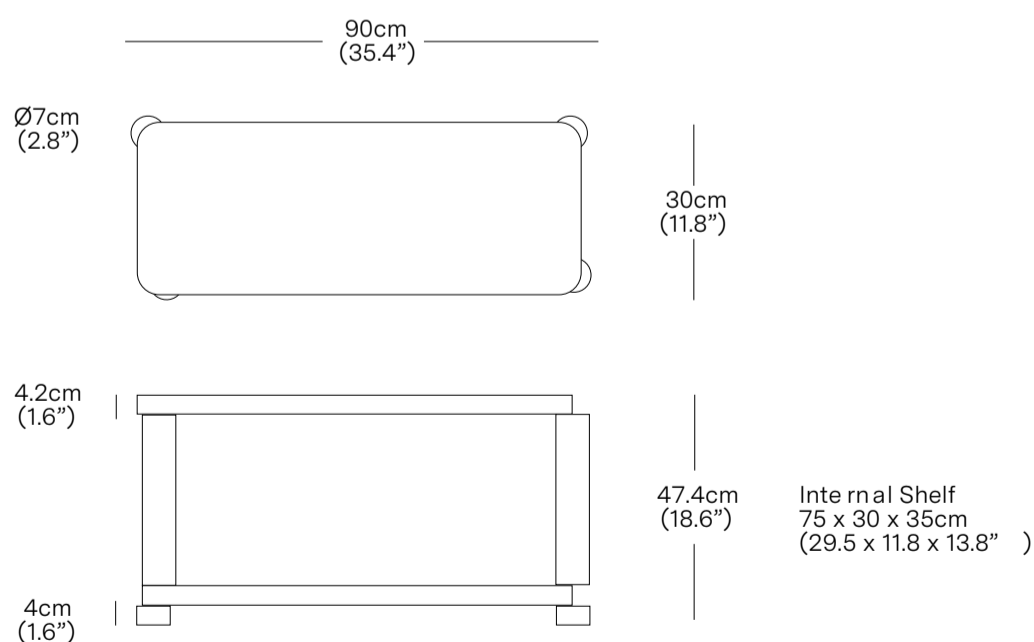


PRODUCT WEIGHT

20 kg (44.1 lbs)

PACKAGED DIMENSIONS

L x W x H	Cubage	Weight
Box 1 (shelves)		
106 x 40 x 21 cm	0.09 m3	18 kg
41.7 x 15.7 x 8.3 in	3.1 ft3	39.7 lbs
Box 2 (Uprights)		
48.5 x 40 x 25 cm	0.05 m3	4.5 kg
19.1 x 15.7 x 9.8 in	1.7 ft3	9.9 lbs
COMMODITY CODE	94036010	



* Components drawn in relative scale. Refer to CAD files for accurate drawings.

Offset Shelf Small - 2 Tier



Philippe Malouin | 2021

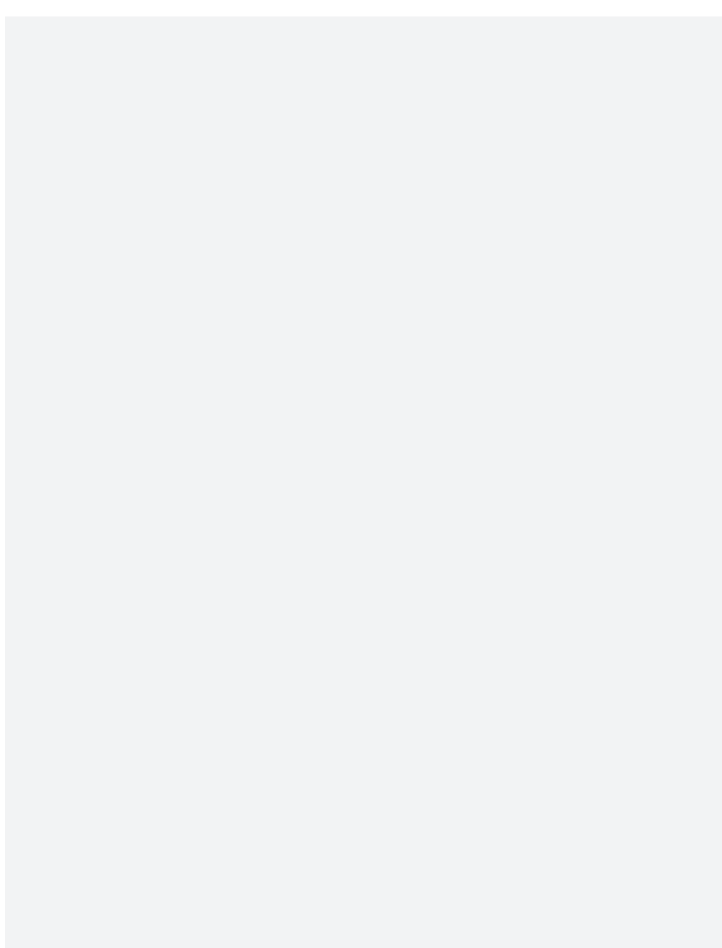
The Offset Shelves are a premium storage and display unit, whose heavy duty silhouette highlights the beauty of solid oak.

The shelves have a unique playful element, with each vertical leg attaching via an adjustable off-centre threaded connector - enabling all legs to sit in an individualized position.

MATERIALS
Solid Oak
PRODUCT ENVIRONMENT
Indoor Use Only
CONTRACT USE
Yes
CERTIFICATION
FSC Certified Wood
WARRANTY
3 years
COUNTRY OF ORIGIN
Lithuania

CODE	PRODUCT	PRICE
OFS003N	Offset Shelf Small Natural - 2 Tiers	€2700
OFS003U	Offset Shelf Small Umber - 2 Tiers	€2940*

*Check for availability of this finish. If out of stock, MOQ x 5 pcs



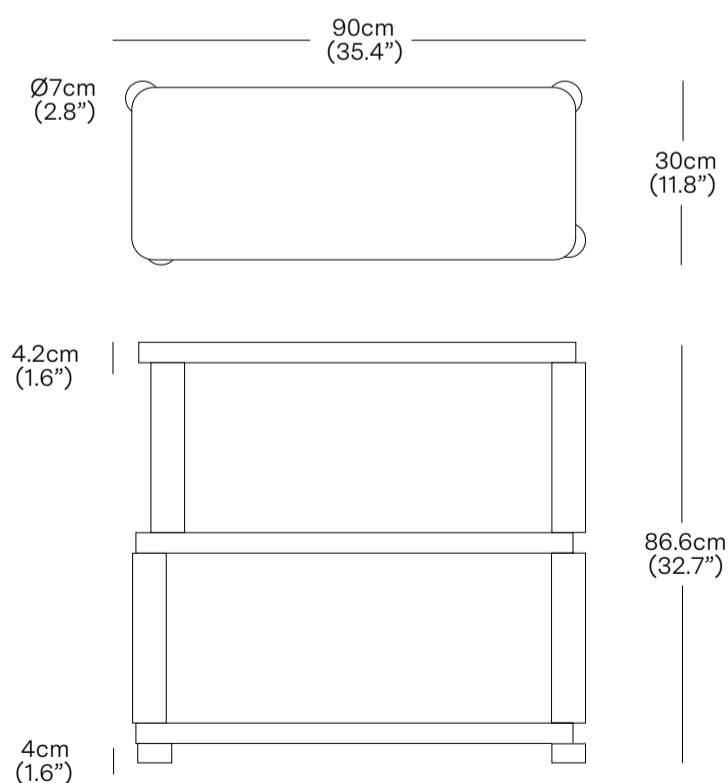
FINISHES

natural umber



PRODUCT WEIGHT

33.1 kg (73.0 lbs)



PACKAGED DIMENSIONS		
L x W x H	Cubage	Weight
Box 1 (shelves)		
100 x 40 x 12 cm	0.05 m3	26 kg
39.4 x 15.7 x 4.7 in	1.7 ft3	57.3 lbs
Box 2 (Uprights)		
53 x 75 x 16 cm	0.06 m3	9 kg
20.9 x 29.5 x 6.3 in	2.2 ft3	19.8 lbs
COMMODITY CODE	94036010	

* Components drawn in relative scale. Refer to CAD files for accurate drawings.

Offset Shelf Large - 1 Tier



Philippe Malouin | 2021

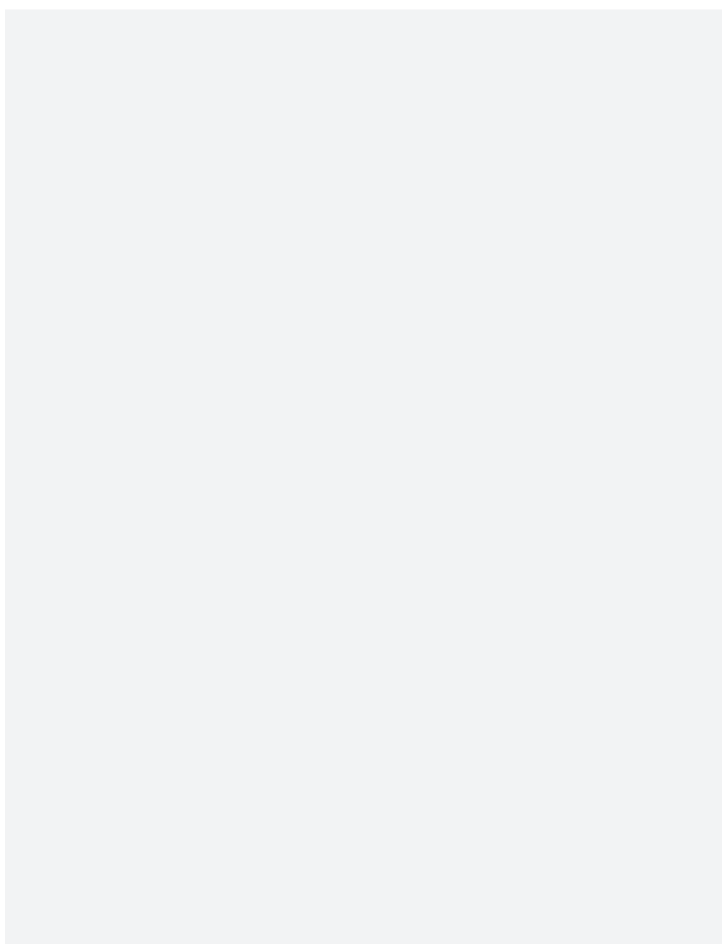
The Offset Shelves are a premium storage and display unit, whose heavy duty silhouette highlights the beauty of solid oak.

The shelves have a unique playful element, with each vertical leg attaching via an adjustable off-centre threaded connector - enabling all legs to sit in an individualized position.

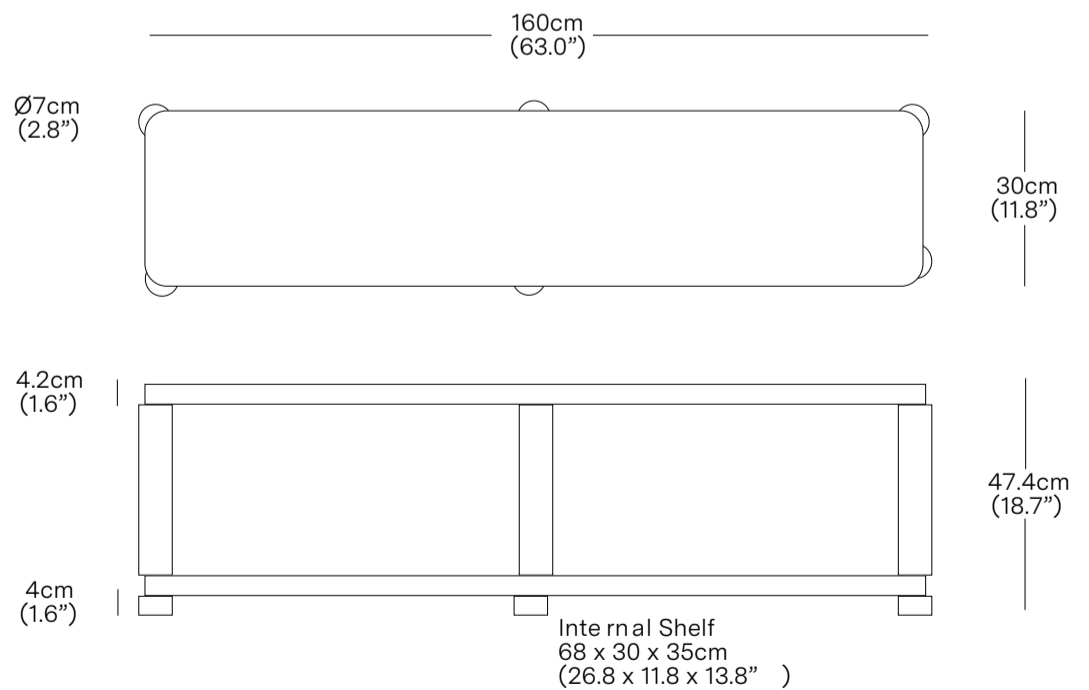
MATERIALS
Solid Oak
PRODUCT ENVIRONMENT
Indoor Use Only
CONTRACT USE
Yes
CERTIFICATION
FSC Certified Wood
WARRANTY
3 years
COUNTRY OF ORIGIN
Lithuania

CODE	PRODUCT	PRICE
OFS004N	Offset Shelf Large Natural - 1 Tier	€3120
OFS004U	Offset Shelf Large Umber - 1 Tier	€3360*

*Check for availability of this finish. If out of stock, MOQ x 5 pcs



FINISHES	PRODUCT WEIGHT
natural umber	34 kg (75.0 lbs)



PACKAGED DIMENSIONS		
L x W x H	Cubage	Weight
Box 1 (shelves)		
200 x 40 x 12 cm	0.1 m3	30 kg
78.7 x 15.7 x 4.7 in	3.4 ft3	66.1 lbs
Box 2 (Uprights)		
53 x 75 x 16 cm	0.06 m3	7 kg
20.9 x 29.5 x 6.3 in	2.2 ft3	15.4 lbs
COMMODITY CODE	94036010	

* Components drawn in relative scale. Refer to CAD files for accurate drawings.

Offset Shelf Large - 2 Tier



Philippe Malouin | 2021

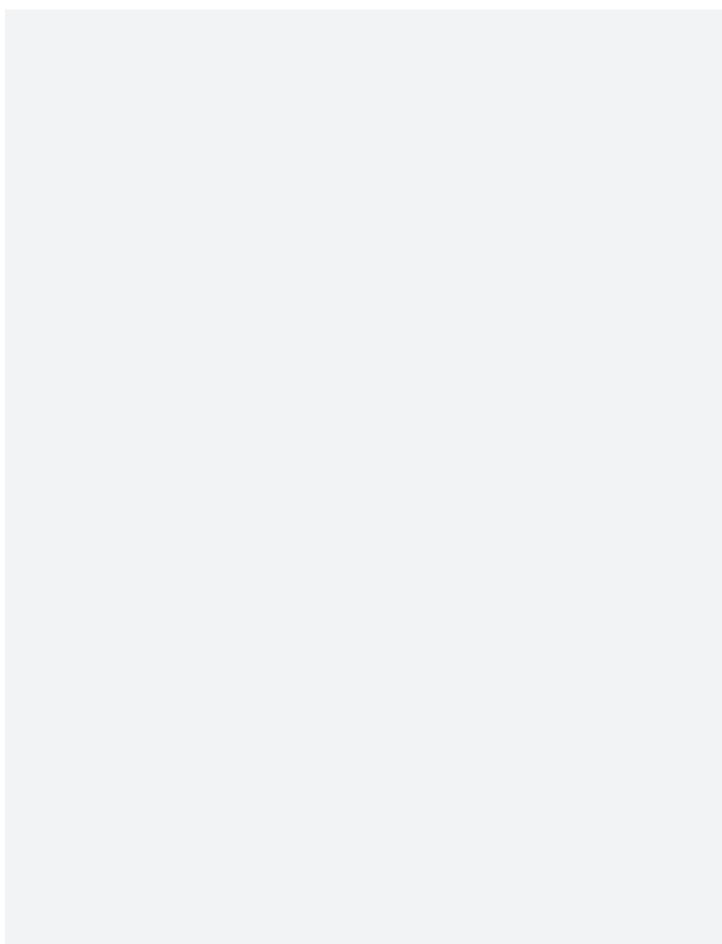
The Offset Shelves are a premium storage and display unit, whose heavy duty silhouette highlights the beauty of solid oak.

The shelves have a unique playful element, with each vertical leg attaching via an adjustable off-centre threaded connector - enabling all legs to sit in an individualized position.

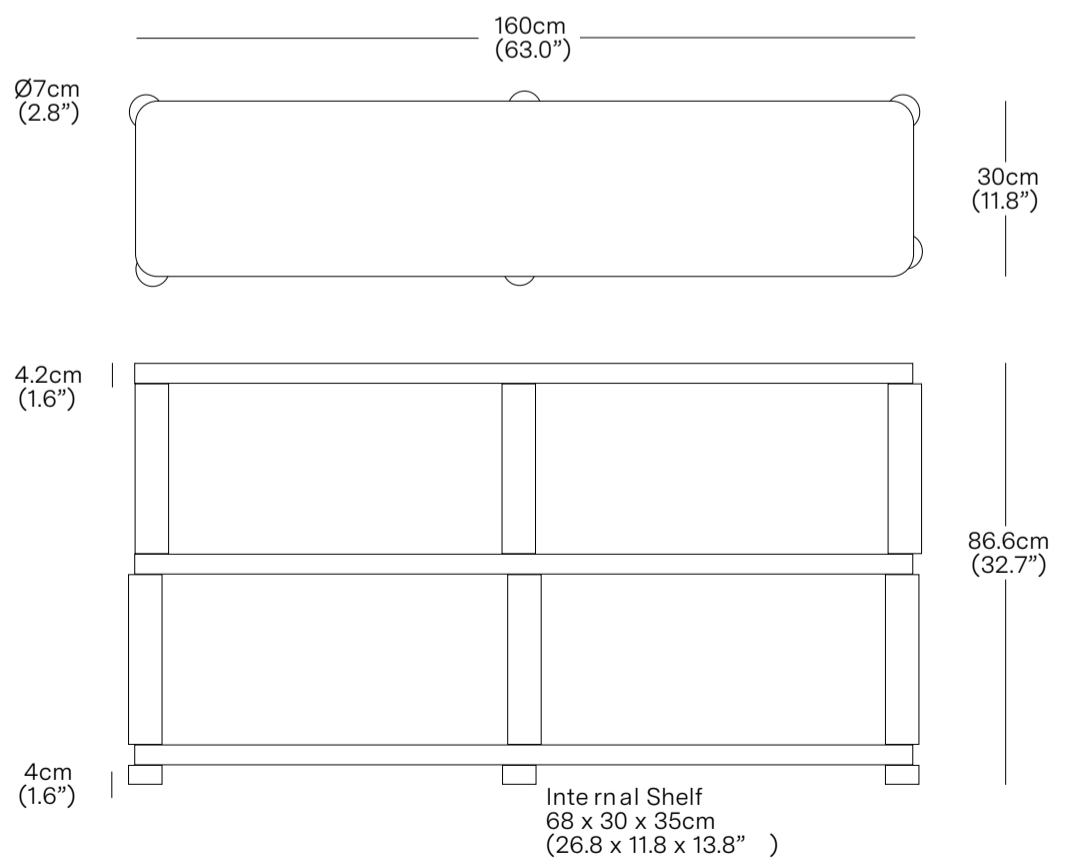
MATERIALS
Solid Oak
PRODUCT ENVIRONMENT
Indoor Use Only
CONTRACT USE
Yes
CERTIFICATION
FSC Certified Wood
WARRANTY
3 years
COUNTRY OF ORIGIN
Lithuania

CODE	PRODUCT	PRICE
OFS005N	Offset Shelf Large Natural - 2 Tiers	€4320
OFS005U	Offset Shelf Large Umber - 2 Tiers	€4740*

*Check for availability of this finish. If out of stock, MOQ x 5 pcs



FINISHES	PRODUCT WEIGHT
natural umber	54.7 kg (120.6 lbs)



PACKAGED DIMENSIONS		
L x W x H	Cubage	Weight
Box 1 (shelves)		
176 x 38.5 x 21 cm	0.14 m3	45.5 kg
69.3 x 15.2 x 8.3 in	5.0 ft3	100.3 lbs
Box 2 (Uprights)		
50 x 40 x 34 cm	0.07 m3	13.1 kg
19.7 x 15.7 x 13.4 in	2.4 ft3	28.9 lbs
COMMODITY CODE	94036010	

* Components drawn in relative scale. Refer to CAD files for accurate drawings.

Offset Stool



Philippe Malouin | 2017

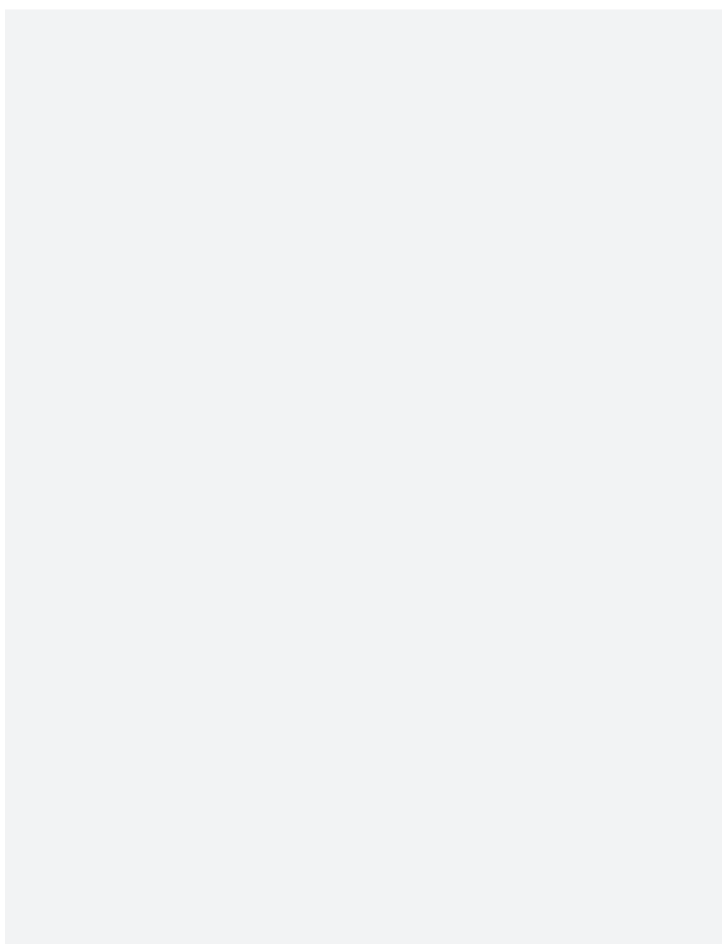
The Offset Stool / Side table is a playful and irregular screw together furniture piece, which displays the beauty of solid oak in generous proportions. Each Offset leg attaches via an off-centre threaded connector, which enables the legs to be adjusted to an individualised position.

Solid, stable and hardwearing, this is a durably sophisticated piece for everyday use.

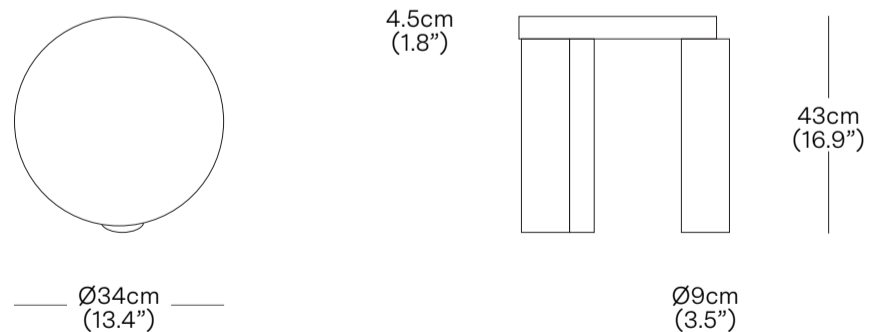
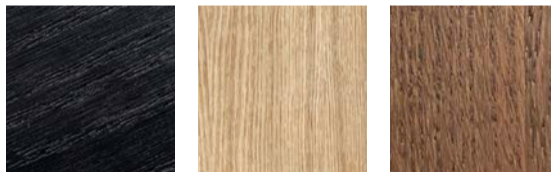
MATERIALS
Solid Oak
PRODUCT ENVIRONMENT
Indoor Use Only
CONTRACT USE
Yes
CERTIFICATION
FSC Certified Wood
WARRANTY
3 years
COUNTRY OF ORIGIN
Lithuania

CODE	PRODUCT	PRICE
OFS001B	Offset Stool - Black	€595
OFS001N	Offset Stool - Natural	€595
OFS001U	Offset Stool - Umber	€618*

*Check for availability of this finish. If out of stock, MOQ x 5 pcs



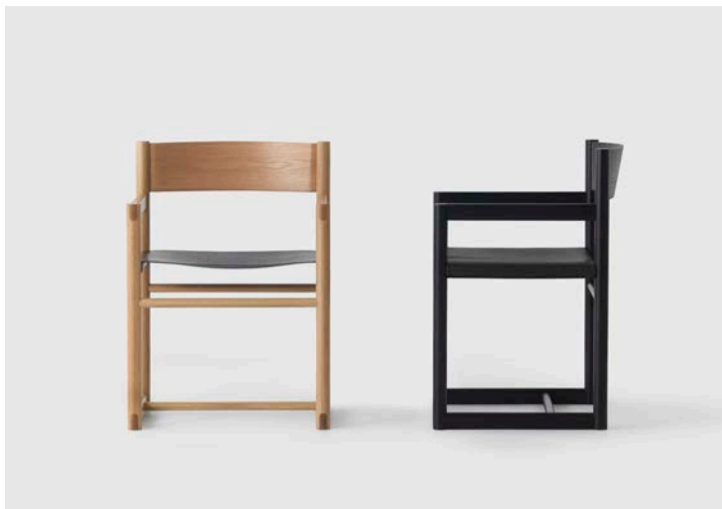
FINISHES		PRODUCT WEIGHT
black	natural	7.9 kg (17.4 lbs)
umber		



PACKAGED DIMENSIONS		
L x W x H	Cubage	Weight
Box 1		
34 x 44 x 15 cm	0.02 m ³	8.1 kg
13.4 x 17.3 x 5.9 in	0.79 ft ³	17.9 lbs
COMMODITY CODE	94036010	

* Components drawn in relative scale. Refer to CAD files for accurate drawings.

Passenger Chair



Simon James | 2022

A modern take on the original safari chair, the Passenger Chair blends its timber joinery with subtle connection points throughout the frame.

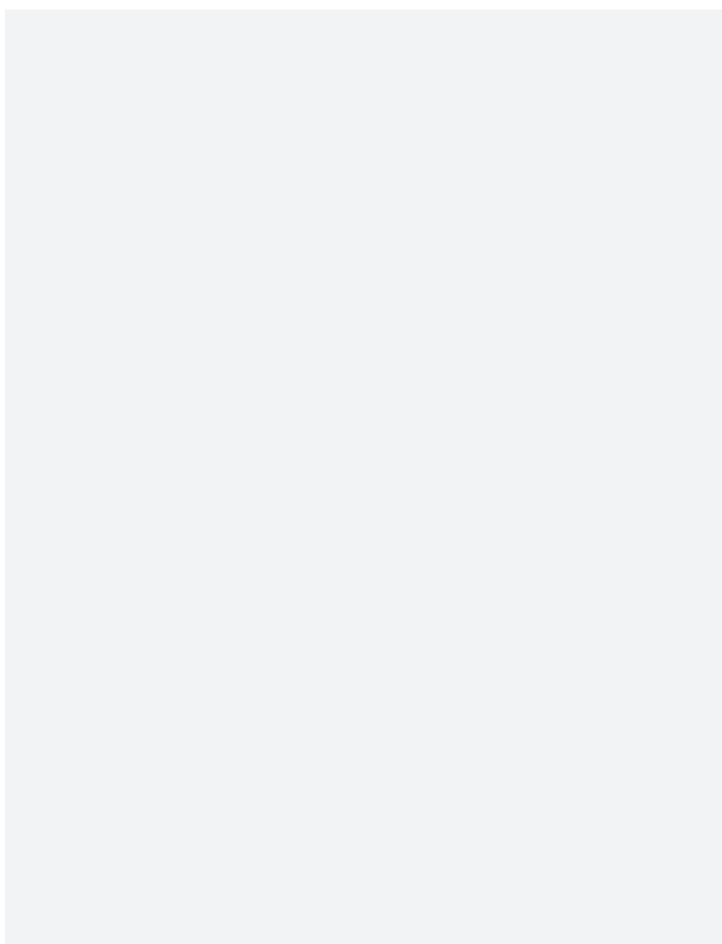
Saddle leather offers forgiveness to the seat which will add character and warmth over time.

This timeless profile will suit both commercial and residential environments that require a dining chair with arms for further exit support. The arms were designed intentionally slightly lower to allow for location under most tables.

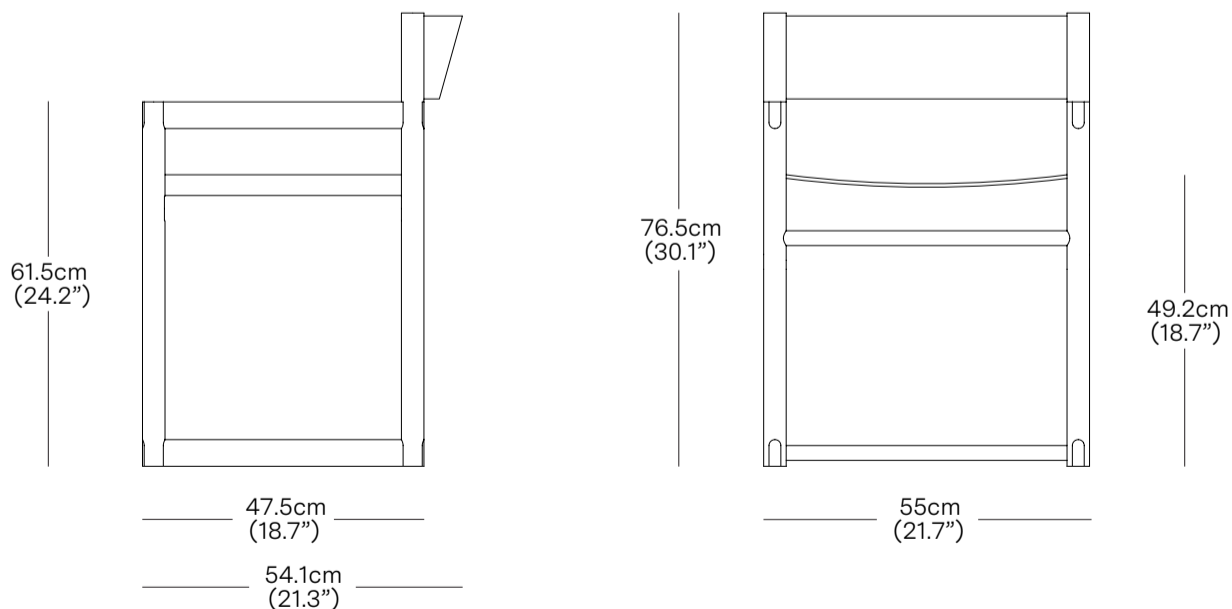
MATERIALS
Solid Oak, Leather
PRODUCT ENVIRONMENT
Indoor Use Only
CONTRACT USE
Yes
CERTIFICATION
FSC Certified Wood
WARRANTY
3 years
COUNTRY OF ORIGIN
Lithuania

CODE	PRODUCT	PRICE
PAS001NM	Passenger Chair - Natural with Mustang	€1740
PAS001BB	Passenger Chair - Black with Black	€1740
PAS001NB	Passenger Chair - Natural with Black	€1740*
PAS001BM	Passenger Chair - Black with Mustang	€1740*

*Check for availability of this finish. If out of stock, MOQ x 50 pcs



FINISHES				PRODUCT WEIGHT
natural/ mustang	black/ black	natural/ black	black/ mustang	6 kg (13.2 lbs)



PACKAGED DIMENSIONS		
L x W x H	Cubage	Weight
Box 1		
60 x 56 x 82 cm	0.28 m3	8.5 kg
23.6 x 22.0 x 32.3 in	9.7 ft3	18.7 lbs
COMMODITY CODE	94036010	

* Components drawn in relative scale. Refer to CAD files for accurate drawings.

Pier Chair



Leonard Kadid | 2020

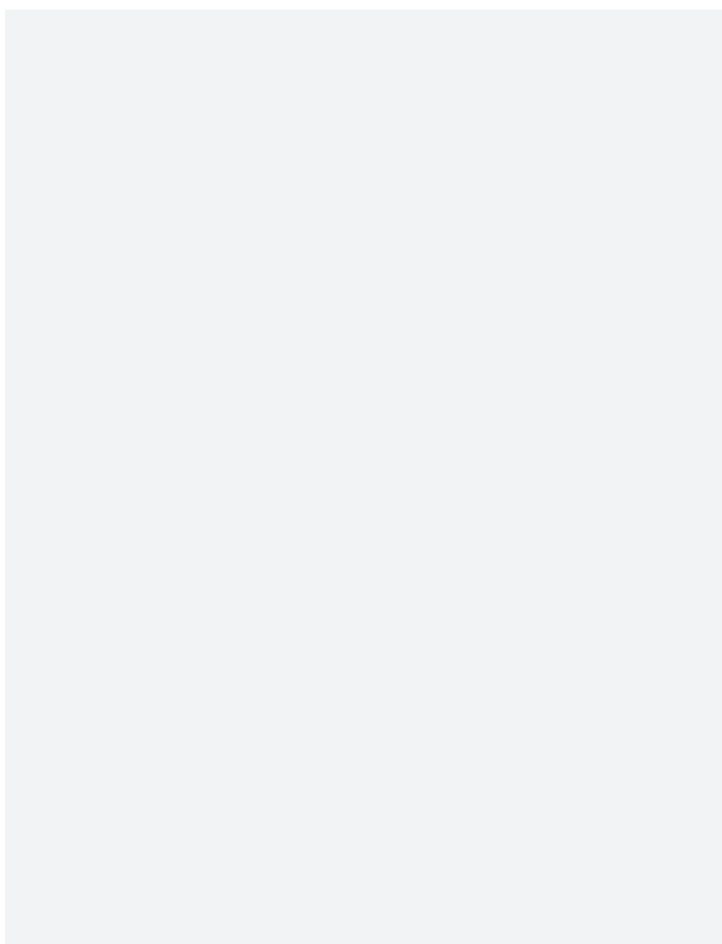
The Pier Chair is inspired by the straight, weighty cylindrical pillars of pier structures. Made entirely from solid oak, the dining chair is composed using only mortise and tenon joints, allowing the wood fibres to run continuously throughout, giving the piece sustained durability.

Pier's solid oak seat and backrest are precisely carved by CNC to create a comfortable seating position. Easily stackable, the Pier Chair has a strong yet refined presence that suits a range of domestic and commercial interiors.

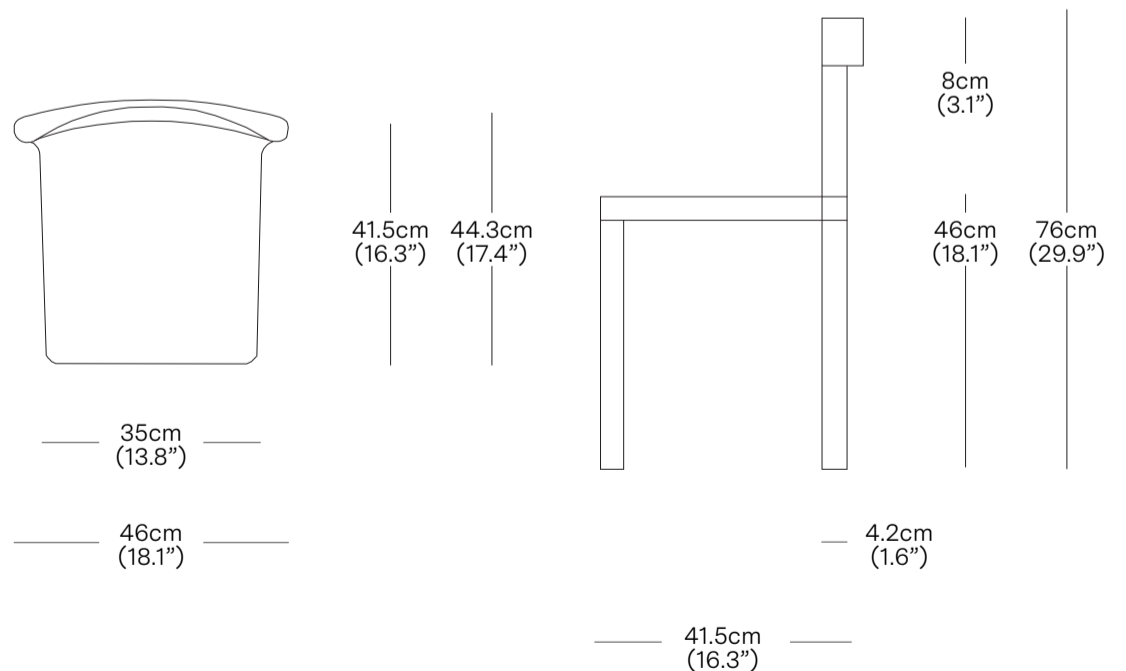
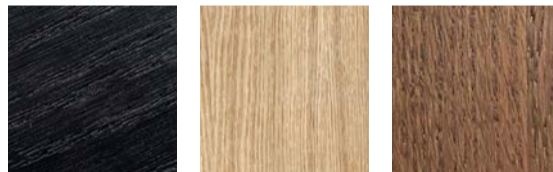
MATERIALS
Solid Oak
PRODUCT ENVIRONMENT
Indoor Use Only
CONTRACT USE
Yes
CERTIFICATION
FSC Certified Wood
WARRANTY
3 years
COUNTRY OF ORIGIN
Lithuania

CODE	PRODUCT	PRICE
PIE001B	Pier Chair - Black	€750
PIE001N	Pier Chair - Natural	€750
PIE001U	Pier Chair - Umber	€768*

*Check for availability of this finish. If out of stock, MOQ x 50 pcs



FINISHES		PRODUCT WEIGHT
black	natural	8.2 kg (18.1 lbs)
umber		



PACKAGED DIMENSIONS		
L x W x H	Cubage	Weight
Box 1 (Qty 2)		
49 x 54 x 95 cm	0.25 m3	19.5 kg
19.3 x 21.3 x 37.4 in	8.9 ft3	43.0 lbs
COMMODITY CODE	94036010	

* Components drawn in relative scale. Refer to CAD files for accurate drawings.

Pier Counter Stool



Leonard Kadid | 2020

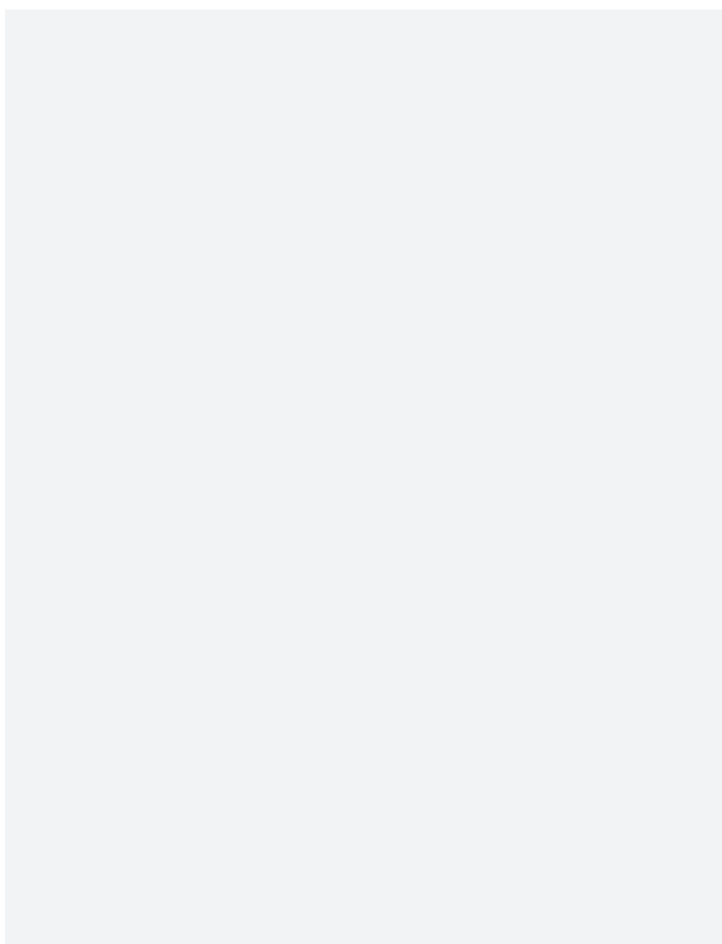
The Pier Stool is inspired by the straight, weighty cylindrical pillars of pier structures. Made entirely from solid oak, the stool is composed using only mortise and tenon joints, allowing the wood fibres to run continuously throughout, giving the piece sustained durability.

With its unique and continuous sled legs, Pier casts an elegant silhouette to compliment any bar or benchtop. Easily stackable, the Pier Stools are available in two heights to suit a range of domestic and commercial interiors.

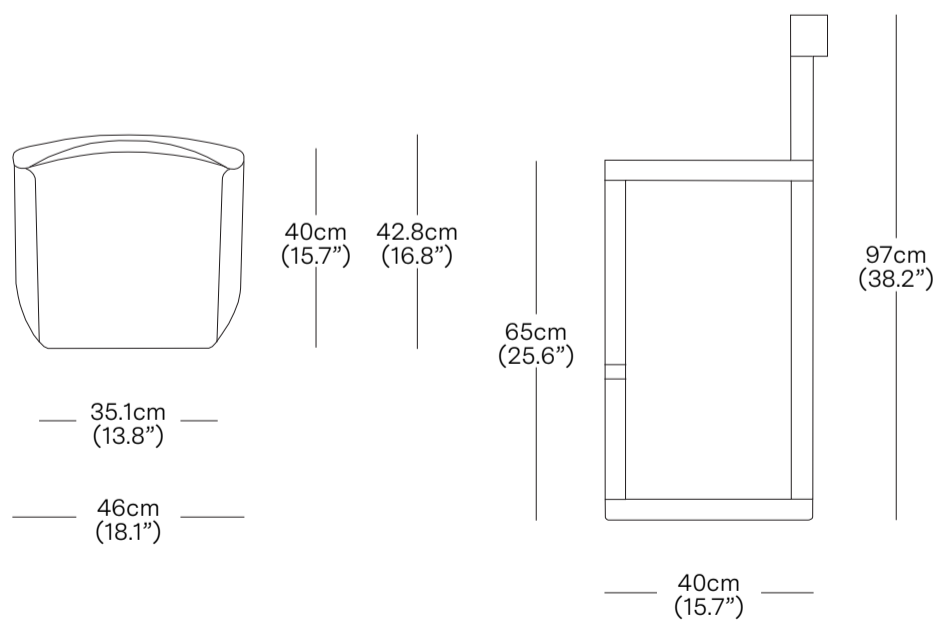
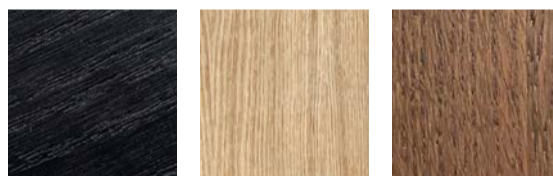
MATERIALS
Solid Oak
PRODUCT ENVIRONMENT
Indoor Use Only
CONTRACT USE
Yes
CERTIFICATION
FSC Certified Wood
WARRANTY
3 years
COUNTRY OF ORIGIN
Lithuania

CODE	PRODUCT	PRICE
PIE002B	Pier Stool Counter Height - Black	€972
PIE002N	Pier Stool Counter Height - Natural	€972
PIE002U	Pier Stool Counter Height - Umber	€991*

*Check for availability of this finish. If out of stock, MOQ x 50 pcs



FINISHES	PRODUCT WEIGHT
black natural umber	8.1 kg (17.9 lbs)



PACKAGED DIMENSIONS		
L x W x H	Cubage	Weight
Box 1		
49 x 51 x 100 cm	0.25 m3	10 kg
19.3 x 20.1 x 39.4 in	8.8 ft3	22.1 lbs
COMMODITY CODE	94036010	

* Components drawn in relative scale. Refer to CAD files for accurate drawings.

Pier Bar Stool



Leonard Kadid | 2020

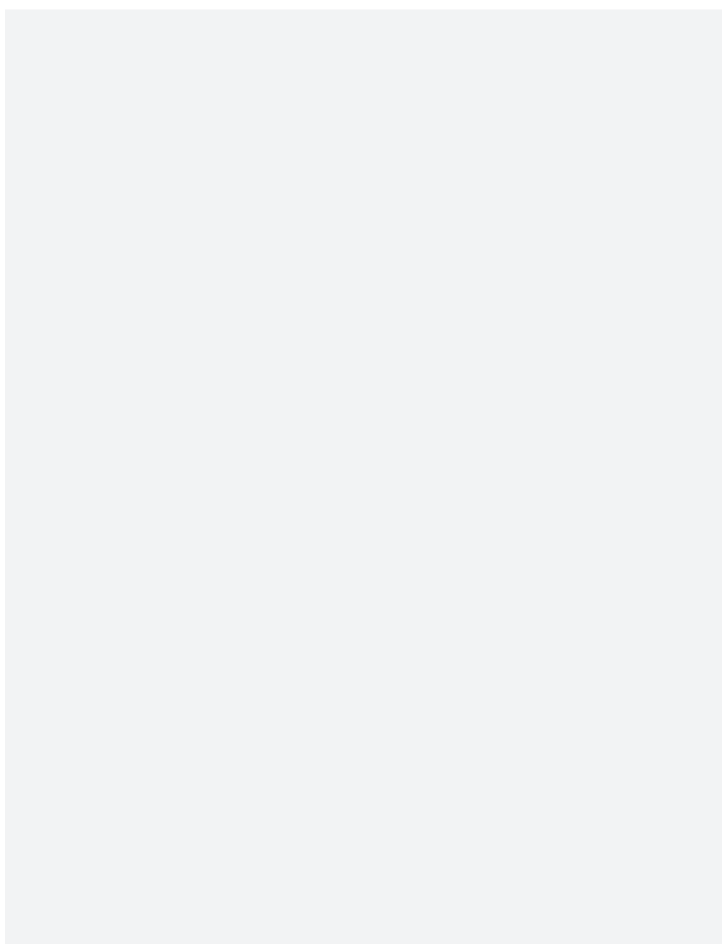
The Pier Stool is inspired by the straight, weighty cylindrical pillars of pier structures. Made entirely from solid oak, the stool is composed using only mortise and tenon joints, allowing the wood fibres to run continuously throughout, giving the piece sustained durability.

With its unique and continuous sled legs, Pier casts an elegant silhouette to compliment any bar or benchtop. Easily stackable, the Pier Stools are available in two heights to suit a range of domestic and commercial interiors.

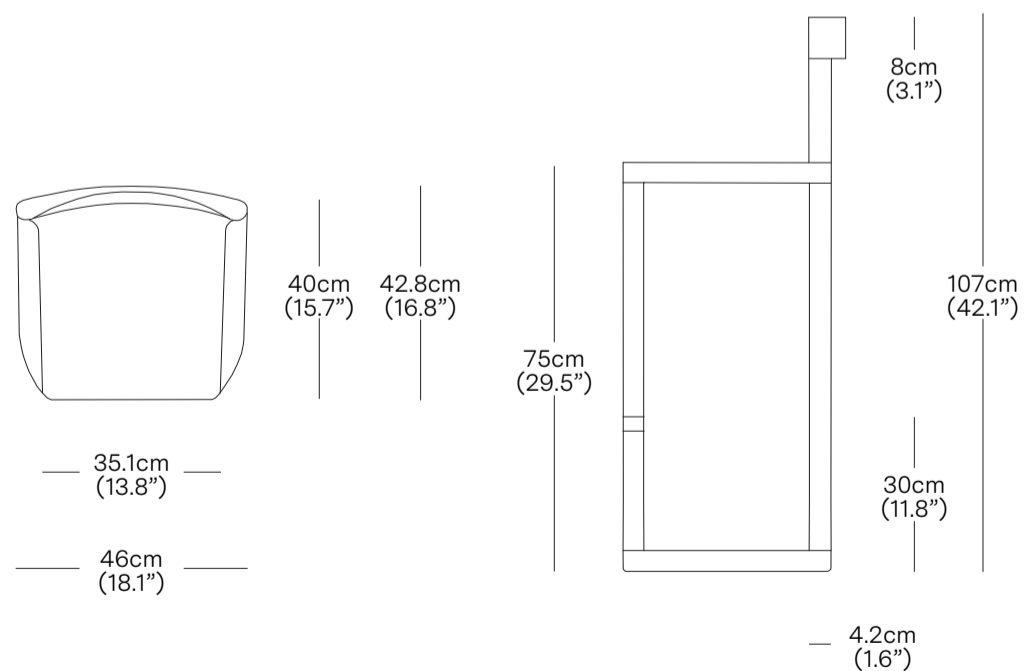
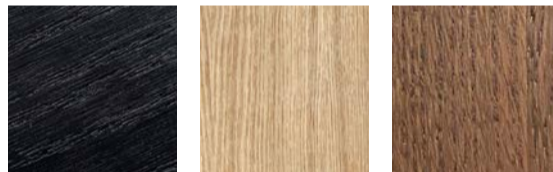
MATERIALS
Solid Oak
PRODUCT ENVIRONMENT
Indoor Use Only
CONTRACT USE
Yes
CERTIFICATION
FSC Certified Wood
WARRANTY
3 years
COUNTRY OF ORIGIN
Lithuania

CODE	PRODUCT	PRICE
PIE003B	Pier Stool Bar Height - Black	€972
PIE003N	Pier Stool Bar Height - Natural	€972
PIE003U	Pier Stool Bar Height - Umber	€991*

*Check for availability of this finish. If out of stock, MOQ x 50 pcs



FINISHES		PRODUCT WEIGHT
black	natural	8.2 kg (18.1 lbs)
umber		



PACKAGED DIMENSIONS		
L x W x H	Cubage	Weight
Box 1		
49 x 51 x 105 cm	0.26 m ³	14.5 kg
19.3 x 20.1 x 41.3 in	9.3 ft ³	32.0 lbs
COMMODITY CODE	94036010	

* Components drawn in relative scale. Refer to CAD files for accurate drawings.

Plane Coffee Table



Jamie McLellan | 2022

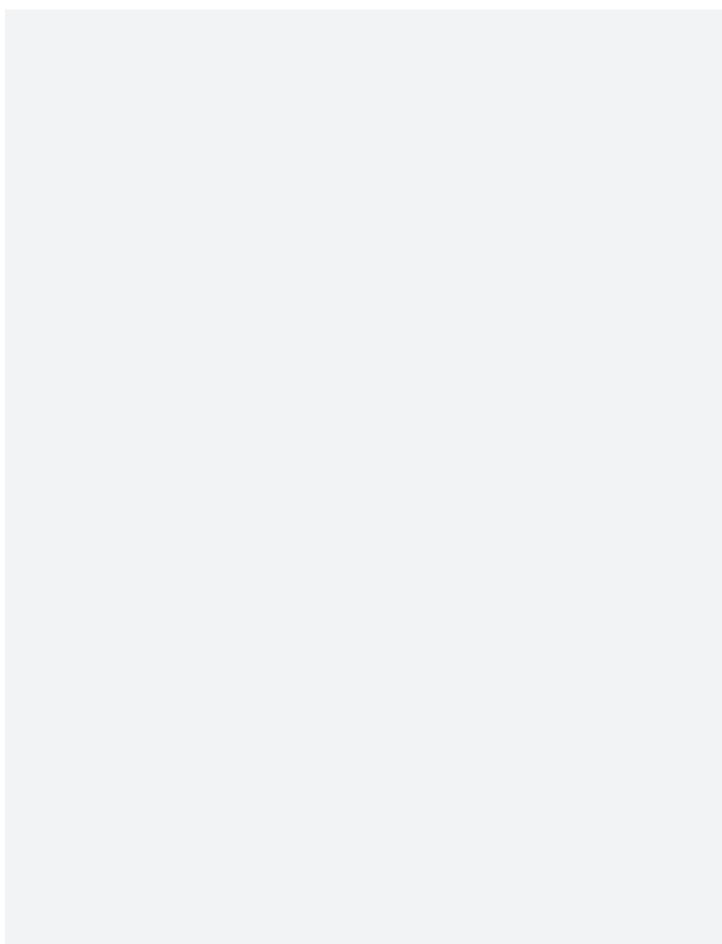
Pure and poised, the Plane Coffee Table stacks hefty slabs of timber in a seemingly impossible balancing act.

Clever engineering holds the legs, cross beam and table top together in an altar-like assembly that is both useable and sculptural.

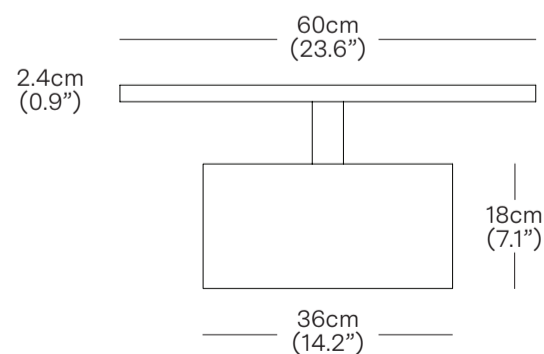
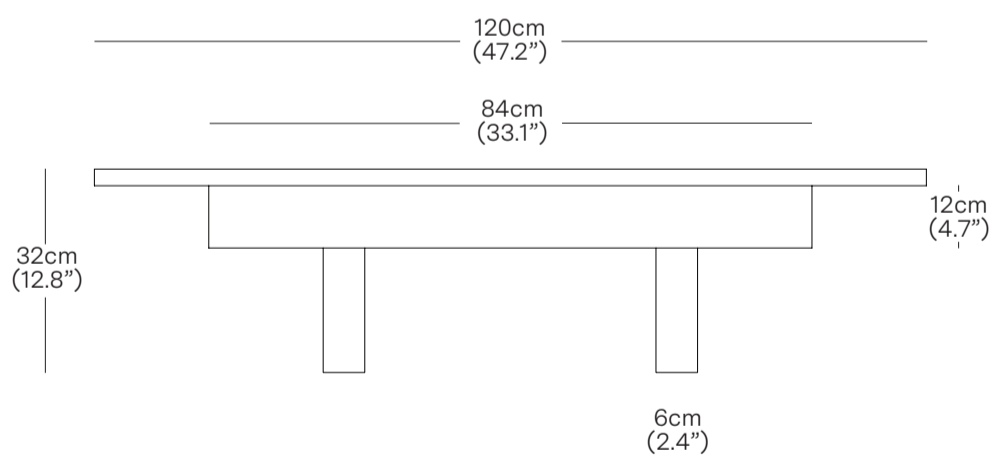
MATERIALS
Solid Oak
PRODUCT ENVIRONMENT
Indoor Use Only
CONTRACT USE
Yes
CERTIFICATION
FSC Certified Wood
WARRANTY
3 years
COUNTRY OF ORIGIN
Lithuania

CODE	PRODUCT	PRICE
PLA005N	Plane Coffee Table, Natural	€2388
PLA005U	Plane Coffee Table, Umber	€2520

*Check for availability of this finish. If out of stock, MOQ x 10 pcs



FINISHES	PRODUCT WEIGHT
natural umber	30 kg (66 lbs)



* Components drawn in relative scale. Refer to CAD files for accurate drawings.

PACKAGED DIMENSIONS		
L x W x H	Cubage	Weight
Box 1		
135 x 70 x 20 cm	0.19 m ³	36 kg
53.1 x 27.6 x 7.9 in	6.7 ft ³	79 lbs
COMMODITY CODE	94036010	

Plane Dining Table - Round 1200

Jamie McLellan | 2022

Pure and poised, the Plane Table stacks hefty slabs of timber in a seemingly impossible balancing act.

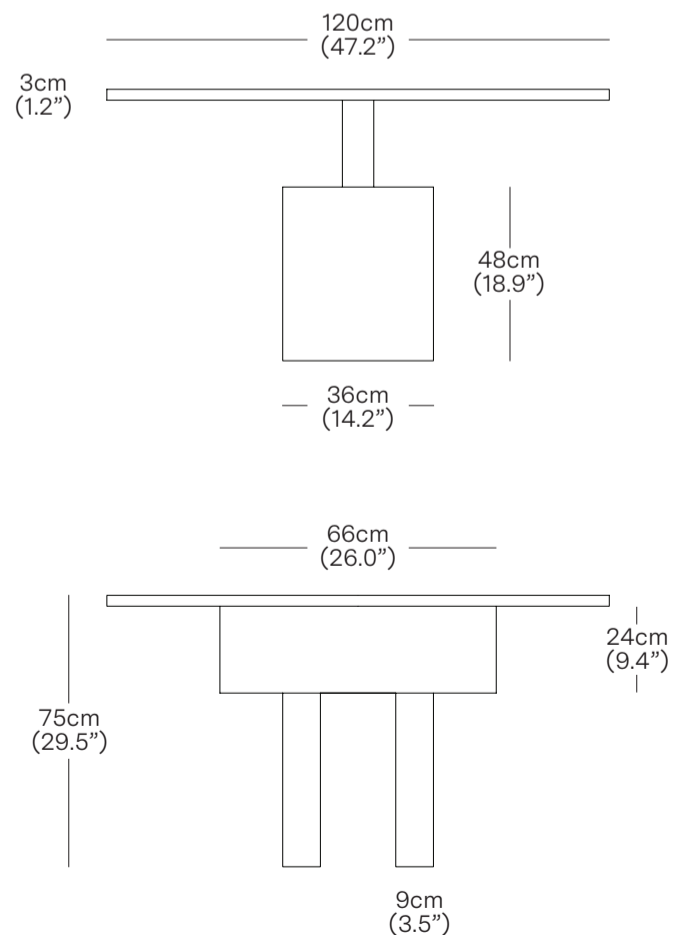
Clever engineering holds the legs, cross beam and table top together in an altar-like assembly that is both useable and sculptural.



MATERIALS
Solid Oak
PRODUCT ENVIRONMENT
Indoor Use Only
CONTRACT USE
Yes
CERTIFICATION
FSC Certified Wood
WARRANTY
3 years
COUNTRY OF ORIGIN
Lithuania

CODE	PRODUCT	PRICE
PLA002N	Plane Dining Table Round 1200 - Natural	€6600
PLA002U	Plane Dining Table Round 1200 - Umber	€6720

FINISHES	PRODUCT WEIGHT
natural umber	76 kg (168 lbs)



* Components drawn in relative scale. Refer to CAD files for accurate drawings.

PACKAGED DIMENSIONS		
L x W x H	Cubage	Weight
Box 1 (Table Top)		
130 x 130 x 11 cm	0.19 m3	45 kg
51.2 x 51.2 x 4.3 in	6.6 ft3	99 lbs
Box 2 (Legs)		
86 x 86 x 20 cm	0.15 m3	44 kg
33.9 x 33.9 x 7.9 in	5.2 ft3	97 lbs
COMMODITY CODE	94036010	

Plane Dining Table - Round 1400

Jamie McLellan | 2022

Pure and poised, the Plane Table stacks hefty slabs of timber in a seemingly impossible balancing act.

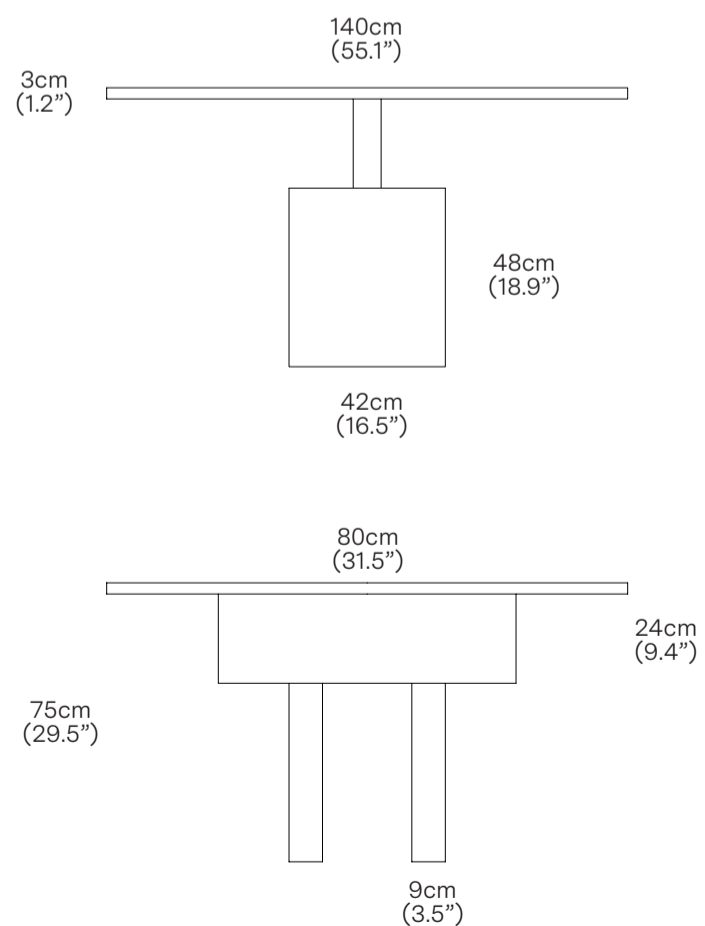
Clever engineering holds the legs, cross beam and table top together in an altar-like assembly that is both useable and sculptural.



MATERIALS
Solid Oak
PRODUCT ENVIRONMENT
Indoor Use Only
CONTRACT USE
Yes
CERTIFICATION
FSC Certified Wood
WARRANTY
3 years
COUNTRY OF ORIGIN
Lithuania

CODE	PRODUCT	PRICE
PLA003N	Plane Dining Table Round 1400 - Natural	€6960
PLA003U	Plane Dining Table Round 1400 - Umber	€7080

FINISHES	PRODUCT WEIGHT
natural umber	85kg (187 lbs)



* Components drawn in relative scale. Refer to CAD files for accurate drawings.

PACKAGED DIMENSIONS		
L x W x H	Cubage	Weight
Box 1 (Table Top)		
150 x 150 x 11 cm	0.25 m3	49 kg
59.1 x 59.1 x 4.3 in	8.7 ft3	108 lbs
Box 2 (Legs)		
100 x 100 x 20 cm	0.2 m3	49 kg
39.4 x 39.4 x 7.9 in	7.1 ft3	108 lbs
COMMODITY CODE	94036010	

Plane Dining Table - Round 1600

Jamie McLellan | 2022

Pure and poised, the Plane Table stacks hefty slabs of timber in a seemingly impossible balancing act.

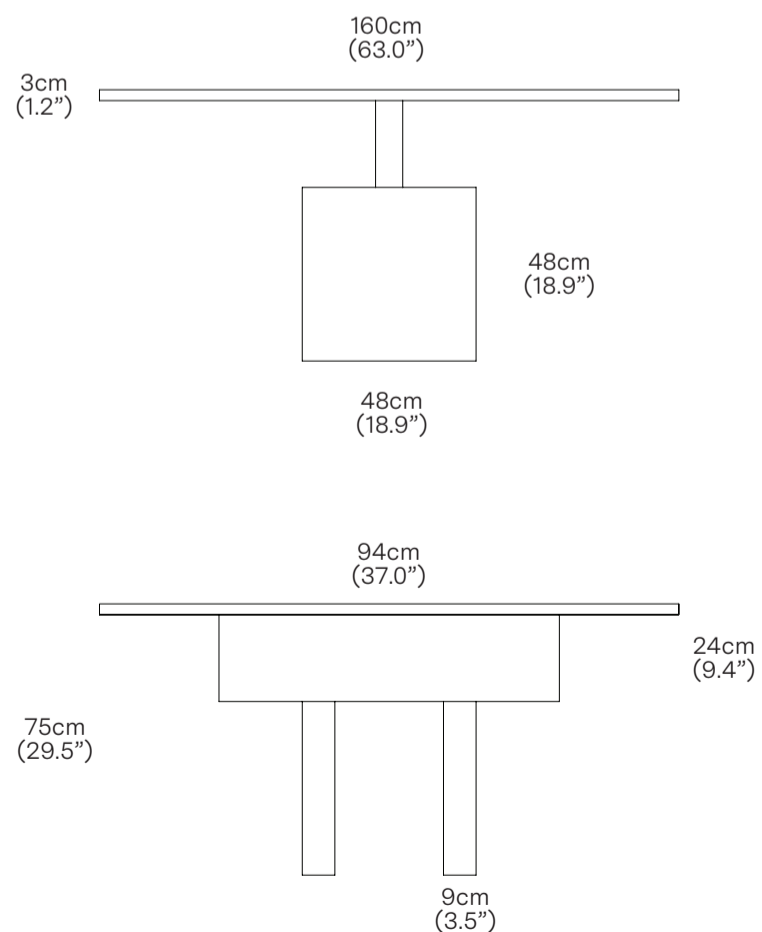
Clever engineering holds the legs, cross beam and table top together in an altar-like assembly that is both useable and sculptural.



MATERIALS
Solid Oak
PRODUCT ENVIRONMENT
Indoor Use Only
CONTRACT USE
Yes
CERTIFICATION
FSC Certified Wood
WARRANTY
3 years
COUNTRY OF ORIGIN
Lithuania

CODE	PRODUCT	PRICE
PLA004N	Plane Dining Table Round 1600 - Natural	€7140
PLA004U	Plane Dining Table Round 1600 - Umber	€7380

FINISHES	PRODUCT WEIGHT
natural umber	94 kg (207 lbs)



* Components drawn in relative scale. Refer to CAD files for accurate drawings.

PACKAGED DIMENSIONS		
L x W x H	Cubage	Weight
Box 1 (Table Top)	0.32 m3	53 kg
170 x 170 x 11 cm	11.2 ft3	117 lbs
67.0 x 67.0 x 4.3 in		
Box 2 (Legs)		
114 x 114 x 20 cm	0.26 m3	94 kg
44.9 x 44.9 x 7.9 in	9.2 ft3	207 lbs
COMMODITY CODE	94036010	

Plane Dining Table - Rectangle 2400 x 1000

Jamie McLellan | 2022

Pure and poised, the Plane Table stacks hefty slabs of timber in a seemingly impossible balancing act. PP Clever engineering holds the legs, cross beam and table top together in an altar-like assembly that is both useable and sculptural.



MATERIALS

Solid Oak

PRODUCT ENVIRONMENT

Indoor Use Only

CONTRACT USE

Yes

CERTIFICATION

FSC Certified Wood

WARRANTY

3 years

COUNTRY OF ORIGIN

Lithuania

CODE

PLA001N

PLA001U

PRODUCT

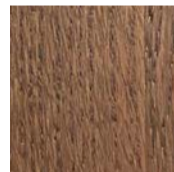
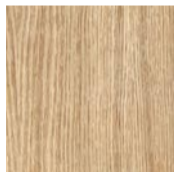
Plane Dining Table Rectangle - Natural

Plane Dining Table Rectangle - Umber

FINISHES

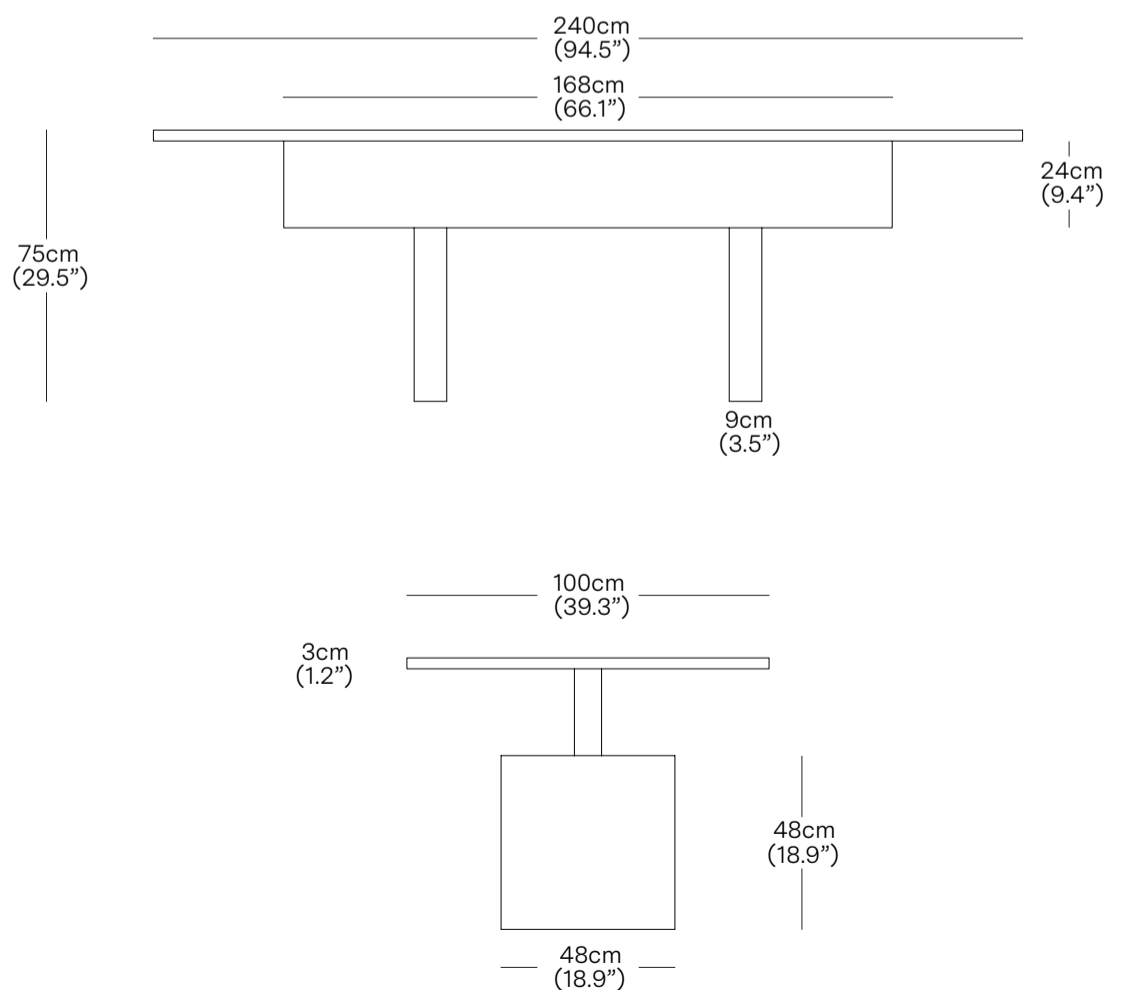
natural

umber



PRODUCT WEIGHT

130 kg (286 lbs)



PACKAGED DIMENSIONS

L x W x H	Cubage	Weight
Box 1 (Table Top*)		
250 x 110 x 12 cm	0.33 m3	80 kg
70.9 x 37.8 x 6.3 in	11.7 ft3	176 lbs
Box 2 (Legs)		
180 x 96 x 16 cm	0.28 m3	65 kg
39.4 x 39.4 x 7.9 in	9.8 ft3	143 lbs

COMMODITY CODE 94036010

*Box dimensions will vary based on table size.

* Components drawn in relative scale. Refer to CAD files for accurate drawings.

Resident

Plane Dining Table - Rectangle

PRICE MATRIX

	Natural 90 cm, 35.4 in	Natural 100 cm, 39.4 in	Umber 90 cm, 35.4 in	Umber 100 cm, 39.4 in
150 cm, 59.1 in	€4680	€4944	€4800	€5064
160 cm, 63.0 in	€4992	€5268	€5124	€5400
170 cm, 66.9 in	€5304	€5604	€5448	€5736
180 cm, 70.9 in	€5616	€5928	€5760	€6084
190 cm, 74.8 in	€5928	€6264	€6084	€6420
200 cm, 78.7 in	€6240	€6588	€6408	€6756
210 cm, 82.7 in	€6552	€6912	€6720	€7092
220 cm, 86.6 in	€6864	€7248	€7044	€7428
230 cm, 90.6 in	€7176	€7572	€7368	€7764
240 cm, 94.5 in	€7488	€7908	€7680	€8100
250 cm, 98.4 in	€8184	€8640	€8400	€8856
260 cm, 102.4 in	€8508	€8988	€8736	€9216
270 cm, 106.3 in	€8844	€9336	€9072	€9564
280 cm, 110.2 in	€9168	€9684	€9408	€9924

Tangerine Chair



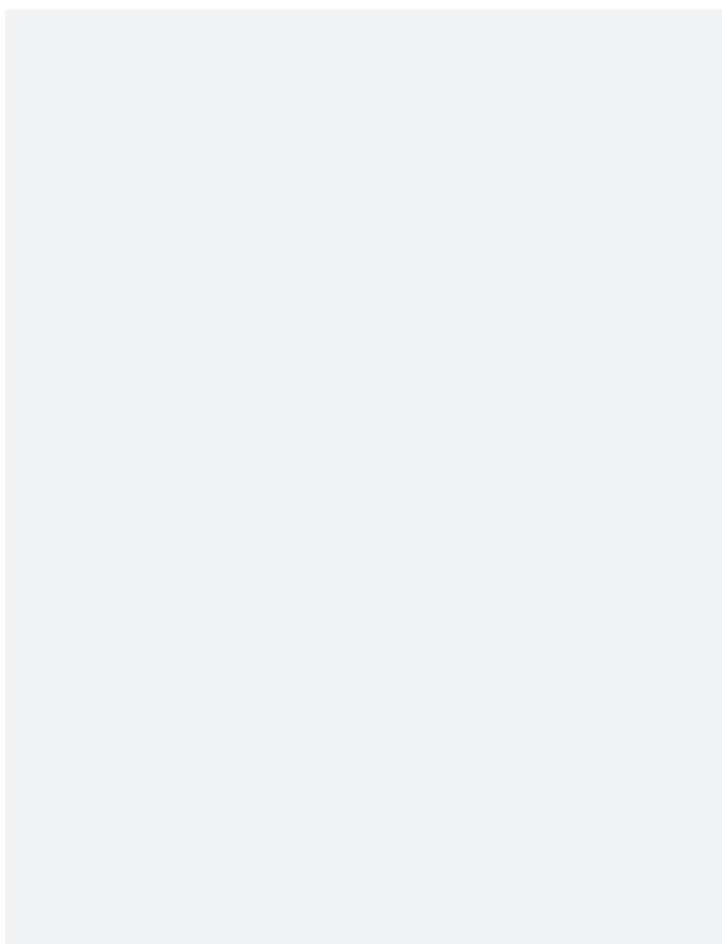
Simon James | 2012

Made from solid oak, this clean-lined and stackable wooden chair brings a fresh, warm and contemporary feel into home, hospitality and commercial environments. Available in natural oak or black-stained, its lightweight look and subtle form offer a refined option to compliment most tables.

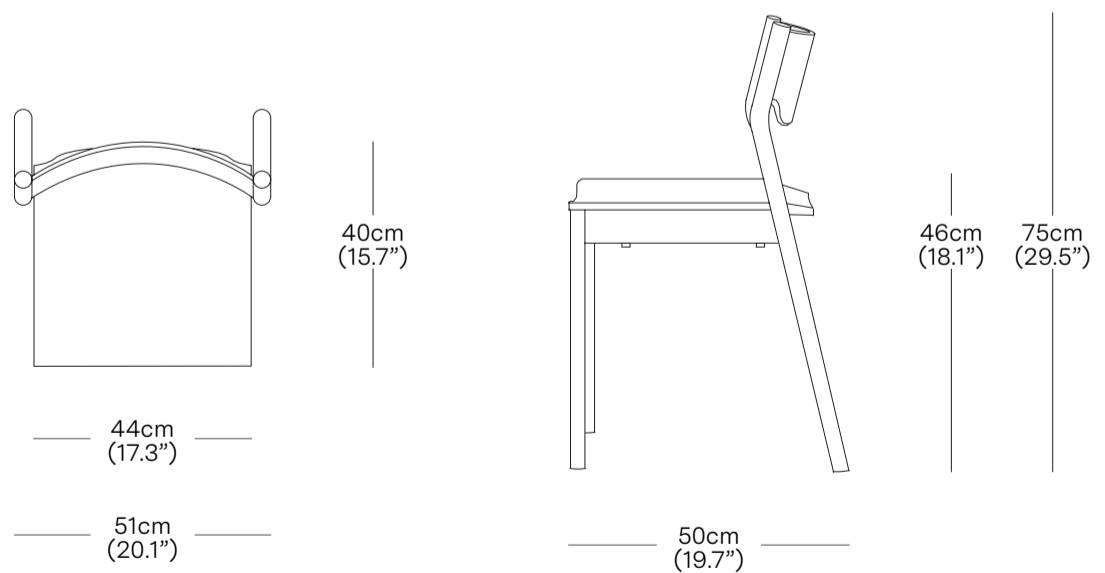
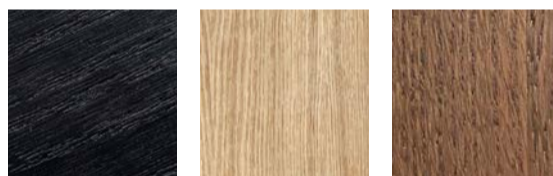
MATERIALS
Solid Oak, Oak Veneer
PRODUCT ENVIRONMENT
Indoor Use Only
CONTRACT USE
Yes
CERTIFICATION
FSC Certified Wood
WARRANTY
3 years
COUNTRY OF ORIGIN
Lithuania

CODE	PRODUCT	PRICE
TAN001B	Tangerine Chair - Black	€686
TAN001N	Tangerine Chair - Natural	€686
TAN001U	Tangerine Chair - Umber	€713*

*Check for availability of this finish. If out of stock, MOQ x 50 pcs



FINISHES		PRODUCT WEIGHT
black natural umber		5.7 kg (12.6 lbs)



PACKAGED DIMENSIONS		
L x W x H	Cubage	Weight
Box 1 (4 chairs to a box)		
69 x 55 x 102 cm	0.39 m3	23.4 kg
27.2 x 21.7 x 40.2 in	13.67 ft3	51.6 lbs
COMMODITY CODE	94036010	

* Components drawn in relative scale. Refer to CAD files for accurate drawings.

Tangerine Stool



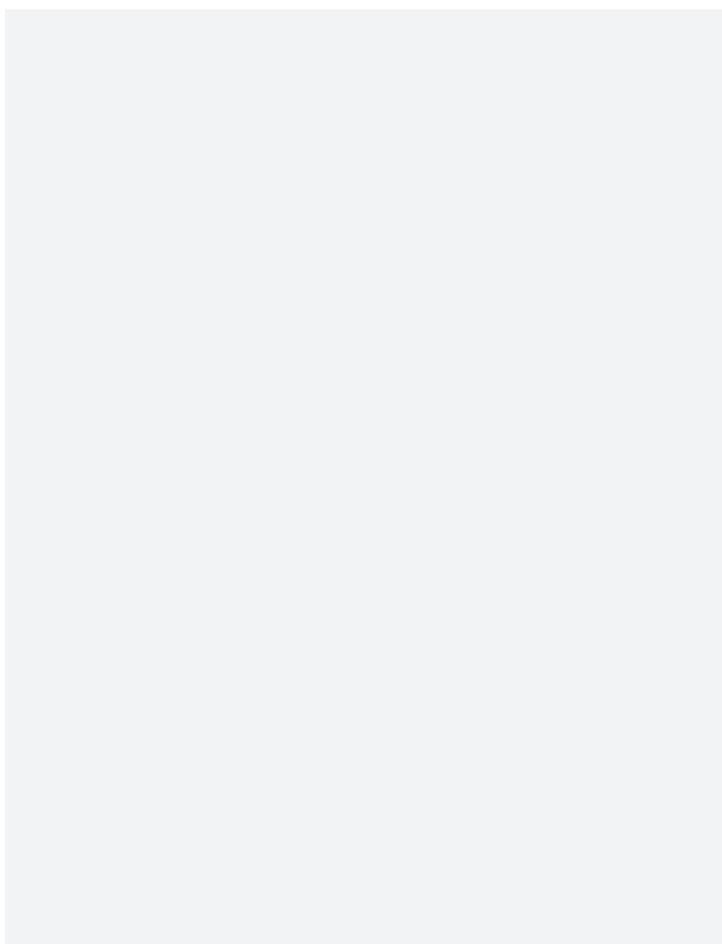
Simon James | 2012

Made from solid oak, the Tangerine Stool is an extension of the popular Tangerine family. Its lightweight appearance is tempered by the robustness of steel footrests, making this a solid and dependable option to compliment most bench tops.

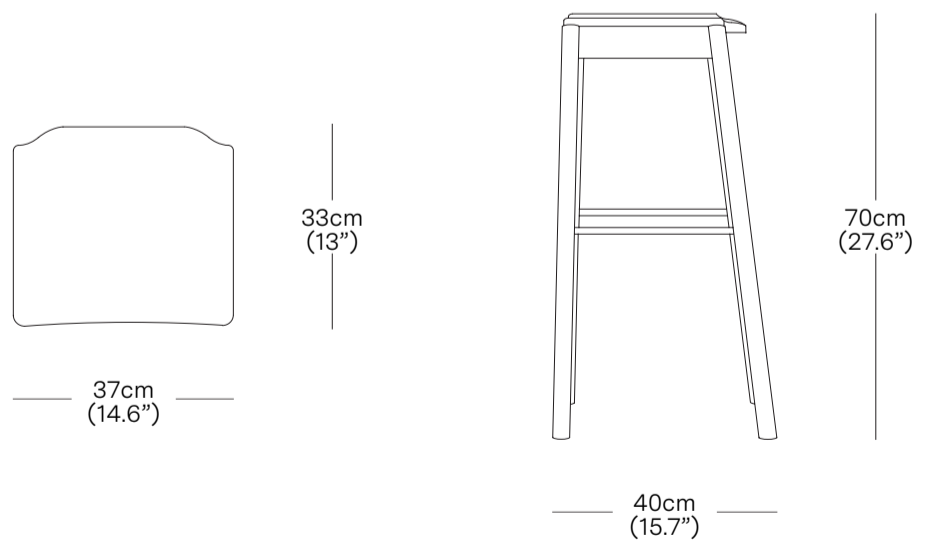
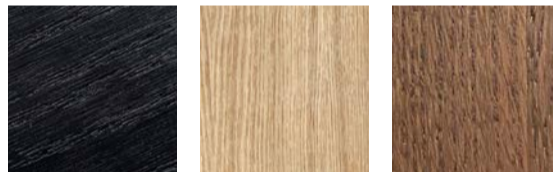
MATERIALS
Solid Oak, Oak Veneer
PRODUCT ENVIRONMENT
Indoor Use Only
CONTRACT USE
Yes
CERTIFICATION
FSC Certified Wood
WARRANTY
3 years
COUNTRY OF ORIGIN
Lithuania

CODE	PRODUCT	PRICE
TAN002B	Tangerine Stool - Black	€686
TAN002N	Tangerine Stool - Natural	€686
TAN002U	Tangerine Stool - Umber	€713*

*Check for availability of this finish. If out of stock, MOQ x 50 pcs



FINISHES		PRODUCT WEIGHT
black	natural	4.6 kg (10.1 lbs)
umber		



PACKAGED DIMENSIONS		
L x W x H	Cubage	Weight
Box 1		
43 x 43 x 74 cm	0.14 m ³	5.9 kg
16.9 x 16.9 x 29.1 in	4.83 ft ³	13.0 lbs

COMMODITY CODE 94036010

* Components drawn in relative scale. Refer to CAD files for accurate drawings.

Tangerine Stool w/ Back



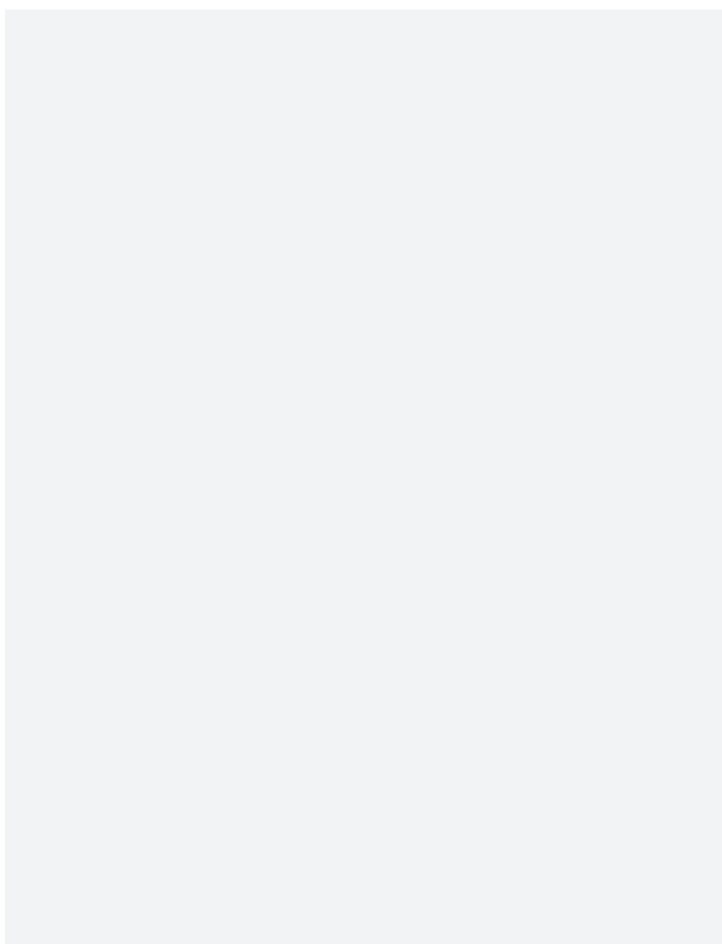
Simon James | 2012

Made from solid oak, the Tangerine Stool is an extension of the popular Tangerine family. Its lightweight appearance is tempered by the robustness of steel footrests, making this a solid and dependable option to compliment most bench tops.

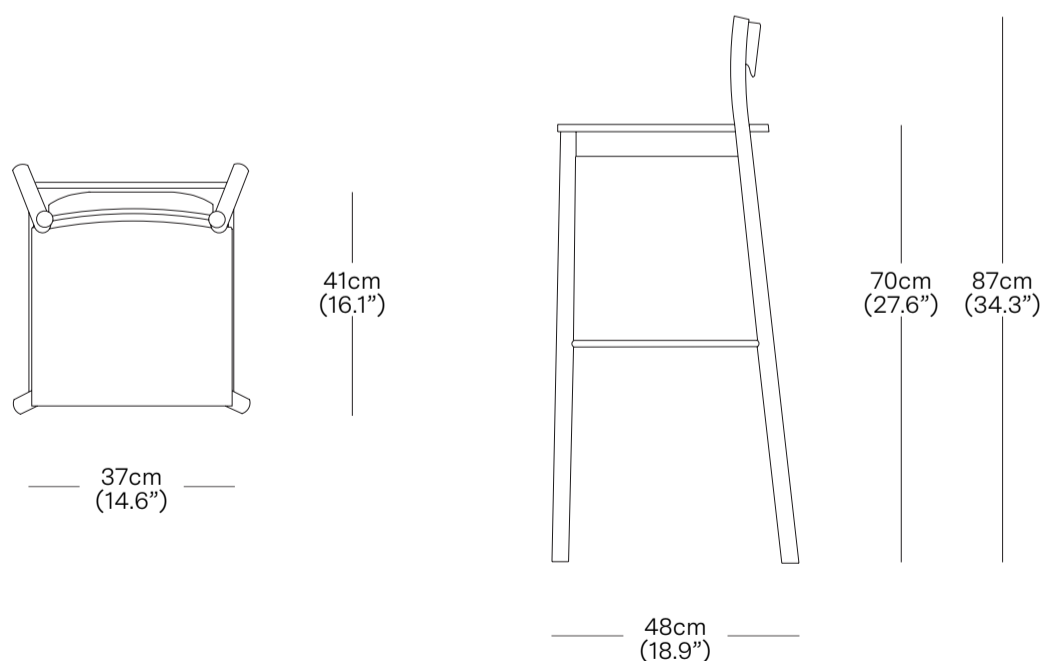
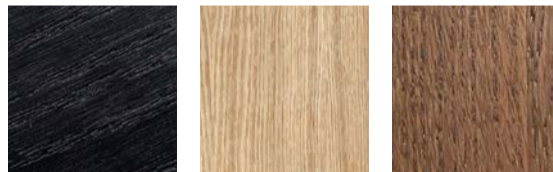
MATERIALS
Solid Oak, Oak Veneer
PRODUCT ENVIRONMENT
Indoor Use Only
CONTRACT USE
Yes
CERTIFICATION
FSC Certified Wood
WARRANTY
3 years
COUNTRY OF ORIGIN
Lithuania

CODE	PRODUCT	PRICE
TAN003B	Tangerine Stool w/ Back - Black	€725
TAN003N	Tangerine Stool w/ Back - Natural	€725
TAN003U	Tangerine Stool w/ Back - Umber	€752*

*Check for availability of this finish. If out of stock, MOQ x 50 pcs



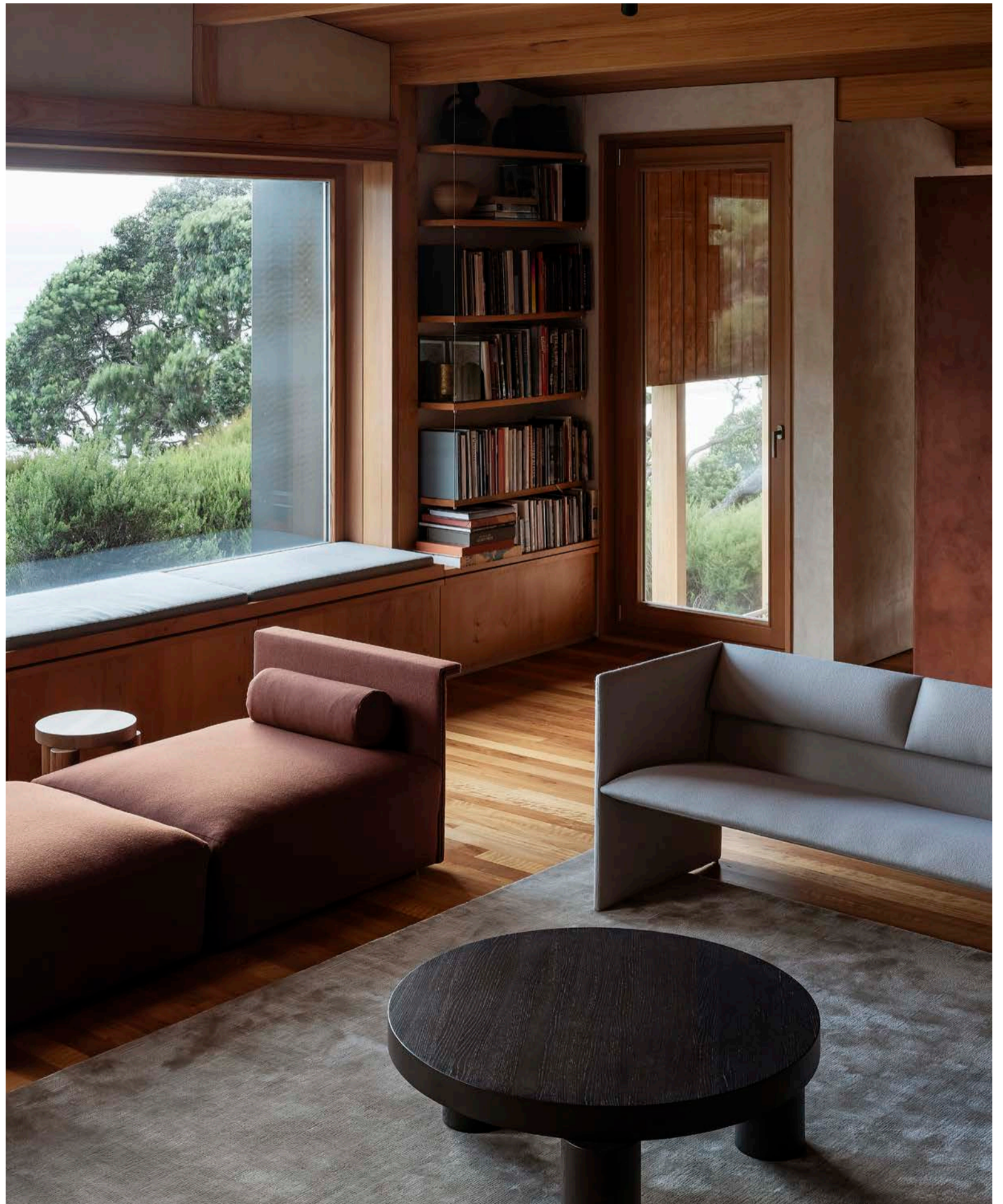
FINISHES		PRODUCT WEIGHT
black	natural	5.5 kg (12.1 lbs)
umber		



PACKAGED DIMENSIONS		
L x W x H	Cubage	Weight
Box 1		
45 x 49 x 91 cm	0.2 m3	6.9 kg
17.7 x 19.3 x 35.8 in	7.09 ft3	15.2 lbs
COMMODITY CODE	94036010	

* Components drawn in relative scale. Refer to CAD files for accurate drawings.

UPHOLSTERY



Resident

Arcade Sofa



Simon James | 2018

The modular Arcade Sofa is a fully configurable lounge system that allows you to create the ideal layout for any living space from a combination of interlocking single or corner seats, narrow and wide chaise modules and ottomans.

A signature L-shaped arm detail gives a modern linear contrast to the softness of the relaxed seating cushions and comfortable backs.

Giving an incredibly comfortable lounging experience, Arcade's revolutionary multi-density feather and foam pillow system was developed in New Zealand over a number of years.

MATERIALS

Multi Density Foam, Timber & Steel Frame, Feathers

PRODUCT ENVIRONMENT

Indoor Use Only

CONTRACT USE

Yes

CERTIFICATION

CAL 117-2013, BS 5852 Crib 5*, EN 1021-1 EN 1021-2

WARRANTY

3 years

COUNTRY OF ORIGIN

United Kingdom

UPHOLSTERY DETAILS

Please see page 84 - 85

CATEGORY

1

PRODUCT

Maharam Mode / Messenger / COM

2

Camira Synergy / Mainline Flax

3

Kvadrat Hallingdal 65 / Sorensen Envy

4

Maharam Mohair Supreme

CODE	PRODUCT	FABRIC	LEATHER	CAT 1	CAT 2	CAT 3	CAT 4
ARC001	Arcade Ottoman	2.5 m, 2.7 yd	4.3 m ² , 45.9 ft ²	€2281	€2386	€2505	€2851
ARC002	Arcade Ottoman Narrow Arm	4.0 m, 4.4 yd	6.8 m ² , 73.4 ft ²	€3279	€3461	€3689	€4099
ARC003	Arcade Single Seater No Arm	4.0 m, 4.4 yd	6.8 m ² , 73.4 ft ²	€2994	€3188	€3416	€3742
ARC004	Arcade Corner Seat	6.5 m, 7.1 yd	11.1 m ² , 119.3 ft ²	€4039	€4417	€4736	€5400
ARC005L/R	Arcade Single Seater Narrow Arm	5.0 m, 5.5 yd	8.5 m ² , 91.8 ft ²	€3802	€4053	€4281	€4752
ARC006L/R	Arcade Standard Chaise Narrow Arm	6.0 m, 6.6 yd	10.2 m ² , 110.2 ft ²	€4277	€4645	€4964	€5625
ARC007L/R	Arcade Wide Chaise Narrow Arm	6.5 m, 7.1 yd	11.1 m ² , 119.3 ft ²	€4847	€5100	€5465	€6570
ARC015L/R	Arcade Single Seater Wide Arm	6.8 m, 7.4 yd	11.6 m ² , 124.8 ft ²	€4514	€4827	€5192	€5985
ARC016L	Arcade Standard Chaise Wide Arm	7.8 m, 8.5 yd	13.3 m ² , 143.2 ft ²	€5702	€6011	€6467	€7830
ARC017L	Arcade Wide Chaise Wide Arm	8.5 m, 9.3 yd	14.5 m ² , 156.1 ft ²	€5988	€6376	€6831	€8400
ARC020	Arcade Bolster Round Cushion	0.8 m, 0.9 yd	1.4 m ² , 14.7 ft ²	€380	€428	€465	€660
ARC021	Arcade Small Feather Cushion	0.5 m, 0.6 yd	0.9 m ² , 9.2 ft ²	€418	€441	€468	€720
ARC022	Arcade Large Feather Cushion	0.7 m, 0.8 yd	1.2 m ² , 12.9 ft ²	€504	€537	€556	€780

Arcade

DIMENSION NOTES

Measurements listed are over all dimensions including the Puff*, additional measurements you may need are:

Feet 3cm

Hard arm top to bottom 61cm (24") - no feet

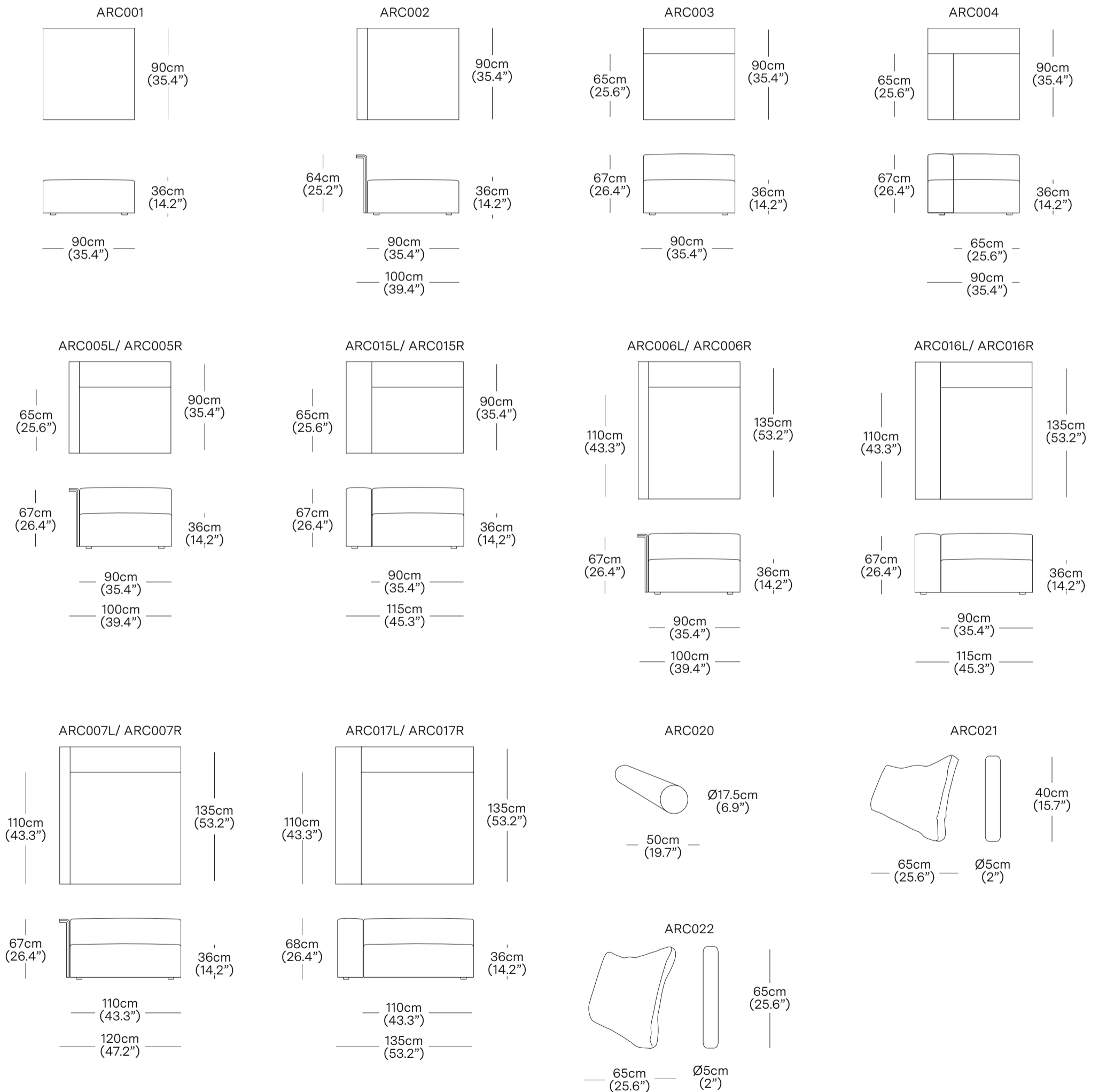
Soft back height seam to seam 60cm (23.6") - no feet

Seat height seam to seam 30cm (11.8") - no feet

*Puff estimated to be 30-40mm (1.2-1.6") on soft back

*Puff estimated to be 30-40mm (1.2-1.6") on seat top

*Puff estimated to be 20-25mm (0.8-1.0") on soft arm sides



* Components drawn in relative scale. Refer to CAD files for accurate drawings.

Isabella Chair



Simon James | 2018

The Isabella Chair is an exercise in the play-off of proportions. Its ultra-slim three-legged steel base provides robust support and acts as a deliberate variant against the gracefully rounded tailored back and plump softness of the seating cushion.

An occasional or statement piece with a refined modern look, which gives the user a generous space in which to sit and relax.

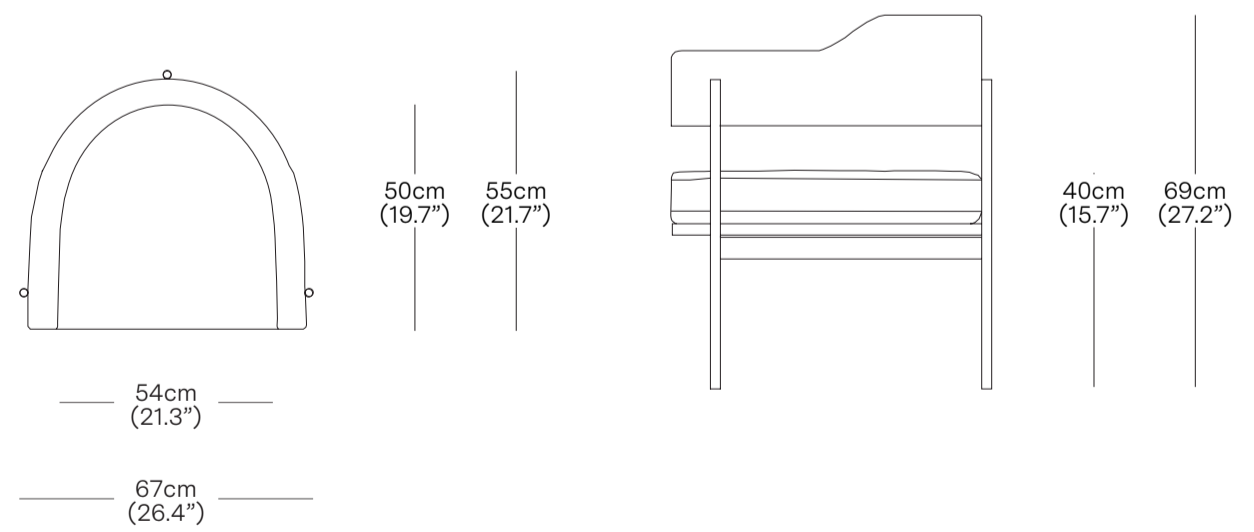
In the home, a place to read or contemplate, and in the commercial space, an ideal waiting or conversation chair.

MATERIALS Upholstered MDF and Foam, Steel
PRODUCT ENVIRONMENT Indoor Use Only
CONTRACT USE Yes
CERTIFICATION CAL 117-2013, BS 5852 Crib 5*, EN 1021-1 EN 1021-4
WARRANTY 3 years
COUNTRY OF ORIGIN United Kingdom

CODE ISA001	PRODUCT Isabella Chair	
CATEGORY	PRODUCT	PRICE
1	Maharam Mode / Messenger / COM	€2520
2	Camira Synergy / Mainline Flax	€2772
3	Kvadrat Hallingdal 65 / Sorensen Envy	€3024
4	Sorensen Royal Nubuck / Maharam Mohair Supreme	€4008

UPHOLSTERY USAGE COM 2.5 m (2.75 yd)
COL 4.3 m2 (46.5 ft2)
UPHOLSTERY DETAILS Please see page 84 - 85

FINISHES black base	PRODUCT WEIGHT 14.0 kg (30.9 lbs)
-------------------------------	---



PACKAGED DIMENSIONS		
L x W x H	Cubage	Weight
Box 1		
65 x 76 x 78 cm	0.39 m3	19.0 kg
25.6 x 29.9 x 30.7 in	13.6 ft3	41.9 lbs
COMMODITY CODE	94017100	

* Components drawn in relative scale. Refer to CAD files for accurate drawings.

Kashmir Chair



Simon James | 2019

The Kashmir collection is an exercise in the essential and makes a statement that's more of a whisper than a shout.

The steel frame of the Kashmir Chair calls to mind the simplicity of iconic Modernist furniture design, offset by a tailored back-rest, where the circular stitching detail brings in a subtle element of modern craftsmanship.

Offering a high level of refinement and a level of comfort and support that envelops the sitter, this piece will perform equally well in an office, cafe or home.

MATERIALS Upholstered MDF and Foam, Steel
PRODUCT ENVIRONMENT Indoor Use Only
CONTRACT USE Yes
CERTIFICATION CAL 117-2013, BS 5852 Crib 5*, EN 1021-1 EN 1021-9
WARRANTY 3 years
COUNTRY OF ORIGIN United Kingdom

CODE KAS001	PRODUCT Kashmir Chair
-----------------------	---------------------------------

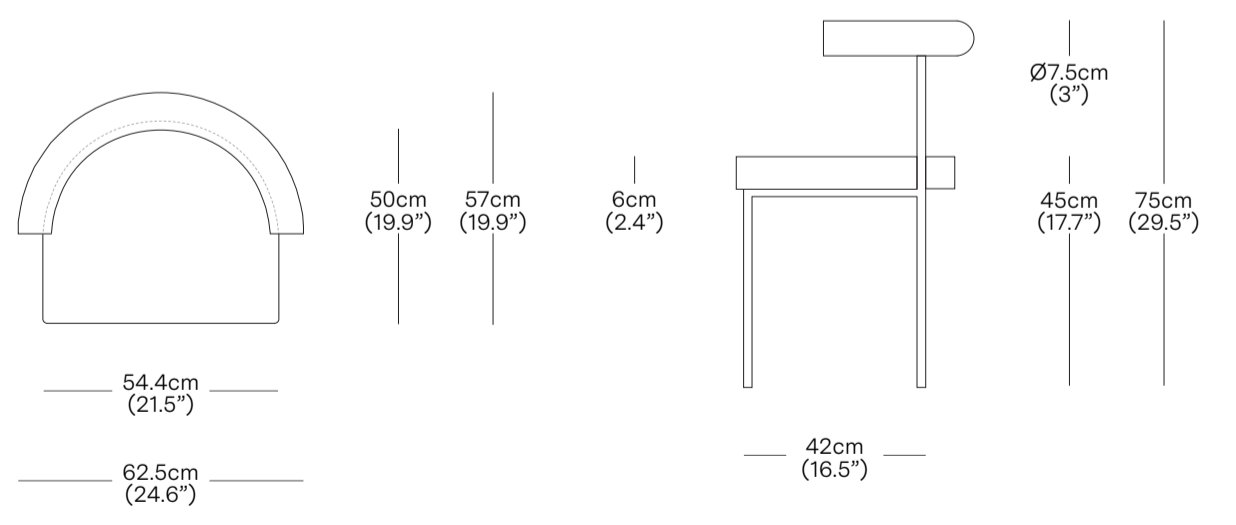
CATEGORY	PRODUCT	PRICE
1	Maharam Mode / Messenger / COM	€1914
2	Camira Synergy / Mainline Flax	€1980
3	Kvadrat Hallingdal 65 / Sorensen Envy	€2136
4	Sorensen Royal Nubuck	€2388

UPHOLSTERY USAGE COM 1 m (1.1 yd)
COL 1.7 m2 (18.3 ft2)
UPHOLSTERY DETAILS Please see page 84 - 85

FINISHES black base	PRODUCT WEIGHT 11.9 kg (26.2 lbs)
-------------------------------	---



PACKAGED DIMENSIONS		
L x W x H	Cubage	Weight
Box 1		
59 x 64 x 80 cm	0.30 m3	14.8 kg
23.2 x 25.2 x 31.5 in	10.6 ft2	32.6 lbs
COMMODITY CODE	94017100	



* Components drawn in relative scale. Refer to CAD files for accurate drawings.

Kashmir Barstool - Counter Height



Simon James | 2019

The Kashmir collection is an exercise in the essential and makes its statement at a low volume.

The steel frame of the Kashmir Barstool calls to mind the simplicity of iconic Modernist furniture design, offset by a tailored back-rest, where the circular stitching detail gives the piece a subtle sense of modern craftsmanship.

Offering a high level of refinement and a level of comfort and support that envelops the sitter, this piece will perform equally well in an office, cafe or home.

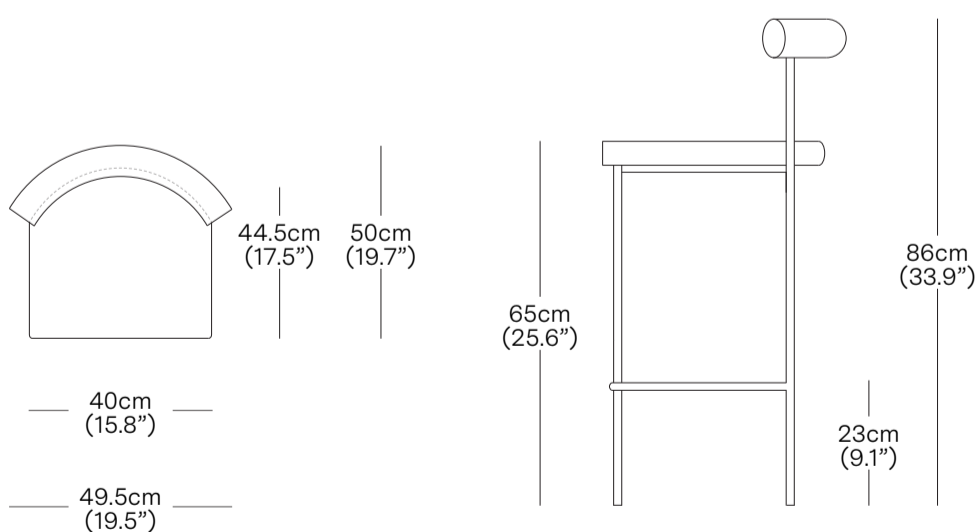
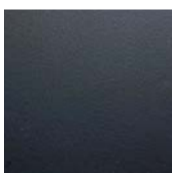
MATERIALS Upholstered MDF and Foam, Steel
PRODUCT ENVIRONMENT Indoor Use Only
CONTRACT USE Yes
CERTIFICATION CAL 117-2013, BS 5852 Crib 5*, EN 1021-1 EN 1021-8
WARRANTY 3 years
COUNTRY OF ORIGIN United Kingdom

CODE KAS002	PRODUCT Kashmir Barstool - Counter Height
-----------------------	---

CATEGORY	PRODUCT	PRICE
1	Maharam Mode / Messenger / COM	€1980
2	Camira Synergy / Mainline Flax	€2040
3	Kvadrat Hallingdal 65 / Sorensen Envy	€2184
4	Sorensen Royal Nubuck	€2412

UPHOLSTERY USAGE COM 1 m (1.1 yd) COL 1.7 m2 (18.3 ft2) UPHOLSTERY DETAILS Please see page 84 - 85
--

FINISHES black base	PRODUCT WEIGHT 10.1 kg (22.3 lbs)
-------------------------------	---



PACKAGED DIMENSIONS		
L x W x H	Cubage	Weight
Box 1		
55 x 54 x 100 cm	0.29 m3	13.0 kg
21.7 x 21.3 x 39.4 in	10.2 ft3	28.7 lbs
COMMODITY CODE	94017100	

* Components drawn in relative scale. Refer to CAD files for accurate drawings.

Kashmir Barstool - Bar Height



Simon James | 2019

The Kashmir collection is an exercise in the essential and makes its statement at a low volume.

The steel frame of the Kashmir Barstool calls to mind the simplicity of iconic Modernist furniture design, offset by a tailored back-rest, where the circular stitching detail gives the piece a subtle sense of modern craftsmanship.

Offering a high level of refinement and a level of comfort and support that envelops the sitter, this piece will perform equally well in an office, cafe or home.

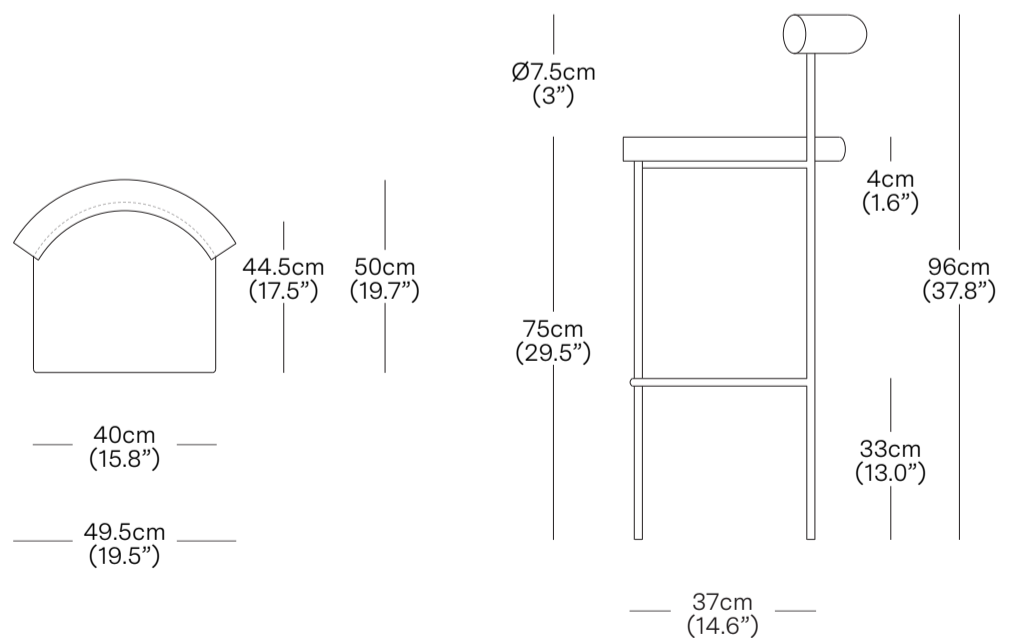
MATERIALS Upholstered MDF and Foam, Steel
PRODUCT ENVIRONMENT Indoor Use Only
CONTRACT USE Yes
CERTIFICATION CAL 117-2013, BS 5852 Crib 5, EN 1021-1 EN 1021-7
WARRANTY 3 years
COUNTRY OF ORIGIN United Kingdom

CODE KAS003	PRODUCT Kashmir Barstool - Bar Height
-----------------------	---

CATEGORY	PRODUCT	PRICE
1	Maharam Mode / Messenger / COM	€1980
2	Camira Synergy / Mainline Flax	€2040
3	Kvadrat Hallingdal 65 / Sorensen Envy	€2184
4	Sorensen Royal Nubuck	€2412

UPHOLSTERY USAGE COM 1 m (1.1 yd) COL 1.7 m ² (18.3 ft ²) UPHOLSTERY DETAILS Please see page 84 - 85
--

FINISHES black base	PRODUCT WEIGHT 12.7 kg (28 lbs)
-------------------------------	---



PACKAGED DIMENSIONS		
L x W x H	Cubage	Weight
Box 1		
55 x 54 x 110 cm	0.31 m ³	15.6 kg
21.7x 21.3 x 43.3 in	10.9 ft ³	34.4 lbs

COMMODITY CODE	94017100
-----------------------	----------

* Components drawn in relative scale. Refer to CAD files for accurate drawings.

Pick Up Sticks Chair



Simon James | 2014

Pick Up Sticks was born out of the desire to create a genuinely comfortable armchair where the upholstered component is produced separately, so the chair can be custom-made in the fabric of the buyer's choice, and delivered with a fast turnaround.

Ideal for residential or commercial use, Pick Up Sticks celebrates its solid oak frame, which is enhanced with refined profile details.

MATERIALS
Solid Oak Frame, Upholstered MDF and Foam
PRODUCT ENVIRONMENT
Indoor Use Only
CONTRACT USE
Yes
CERTIFICATION
CAL 117-2013, BS 5852 Crib 5, EN 1021-1 EN 1021-5, FSC Certified Wood
WARRANTY
3 years
COUNTRY OF ORIGIN
United Kingdom

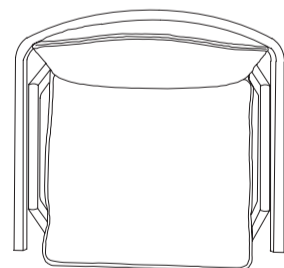
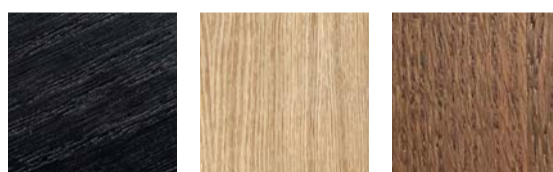
CODE	PRODUCT
PUS001B	Pick Up Sticks Chair - Black
PUS001N	Pick Up Sticks Chair - Natural
PUS001U	Pick Up Sticks Chair - Umber*

CATEGORY	PRODUCT	PRICE
1	Maharam Mode / Messenger / COM	€2280
2	Camira Synergy / Mainline Flax	€2352
3	Kvadrat Hallingdal 65 / Sorensen Envy	€2448
4	Sorensen Royal Nubuck	€3360

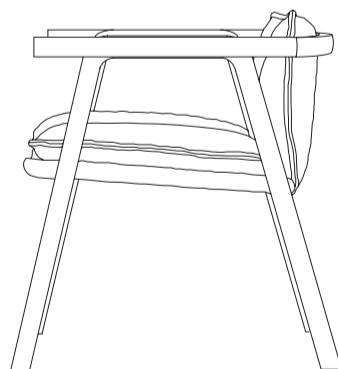
*Custom Order - additional lead time will apply, MOQ 50

UPHOLSTERY USAGE
COM
1.5 m (1.6 yd)
COL
2.6 m2 (27.5 ft2)
UPHOLSTERY DETAILS
Please see page 84 - 85

FINISHES	PRODUCT WEIGHT
black natural umber	14.1 kg (26.2 lbs)



55cm (21.7")
67cm (26.4")



47cm (18.5")
72cm (28.3")

PACKAGED DIMENSIONS		
L x W x H	Cubage	Weight
Box 1		
73 x 76 x 76 cm	0.42 m3	14.1 kg
28.7 x 29.9 x 29.9 in	14.9 ft3	31.1 lbs

COMMODITY CODE	94016100
-----------------------	----------

* Components drawn in relative scale. Refer to CAD files for accurate drawings.

Sacha Chair



Philippe Malouin | 2022

Designed by Philippe Malouin, Sacha is a fully upholstered dining or side chair. Visually graphic, Sacha is comfortable yet brutal and geometric with an unexpected twist.

Sachas distinctively folded backrest offers the perfect resting angle, providing exceptional lumbar support. This chair can seamlessly transition between domestic and commercial settings

MATERIALS
Upholstered Plywood, Foam, Steel
PRODUCT ENVIRONMENT
Indoor Use Only
CONTRACT USE
Yes
CERTIFICATION
CAL 117-2013, BS 5852 Crib 5, EN 1021-1 EN 1021-11
WARRANTY
3 years
COUNTRY OF ORIGIN
Netherlands

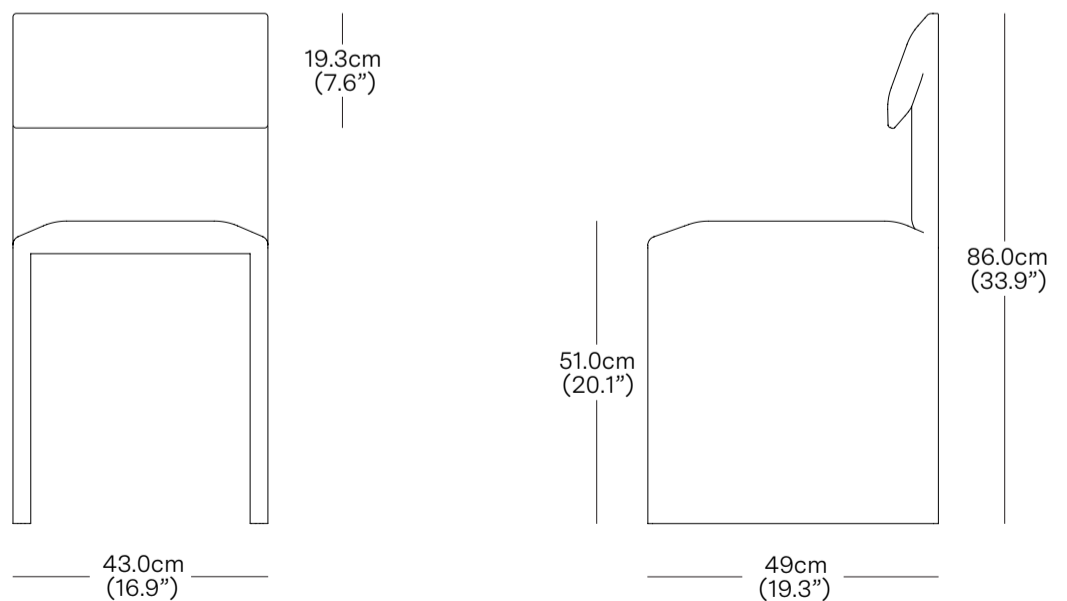
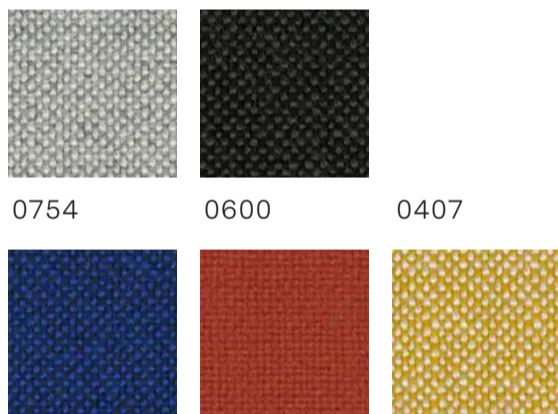
CODE	PRODUCT
SAC001LG	Sacha Chair - Light Grey
SAC001DG	Sacha Chair - Dark Grey
SAC001B	Sacha Chair - Blue
SAC001R	Sacha Chair - Red
SAC001Y	Sacha Chair - Yellow

CATEGORY	PRODUCT	PRICE
3	Kvadrat Hallingdal 65	€1600

*Stock colourways only. Any other colourways in Hallingdal and will increase the RRP by an additional €300, a minimum quantity of 4 is required.

UPHOLSTERY DETAILS
Please see page 84 - 85

FINISHES	PRODUCT WEIGHT
0110 0173	14.5 kg (31.9 lbs)



PACKAGED DIMENSIONS		
L x W x H	Cubage	Weight
Box 1		
45 x 52 x 89 cm	0.21 m3	15 kg
17.7 x 20.5 x 35.0 in	7.4 ft3	33.1 lbs
COMMODITY CODE	94016100	

* Components drawn in relative scale. Refer to CAD files for accurate drawings.

Sacha Armchair

New



Philippe Malouin | 2024

Designed by Philippe Malouin, Sacha is a fully upholstered armchair. Visually graphic, Sacha is comfortable yet brutal and geometric with an unexpected twist. The distinctively folded backrest is enhanced by slender, fully upholstered arms.

Sachas back features a subtle inclination, while the backrest offers the perfect resting angle, providing exceptional lumbar support. This chair can seamlessly transition between domestic and commercial settings

MATERIALS Upholstered Plywood, Foam, Steel
PRODUCT ENVIRONMENT Indoor Use Only
CONTRACT USE Yes
CERTIFICATION CAL 117-2013, BS 5852 Crib 5, EN 1021-1 EN 1021-11
WARRANTY 3 years
COUNTRY OF ORIGIN New Zealand

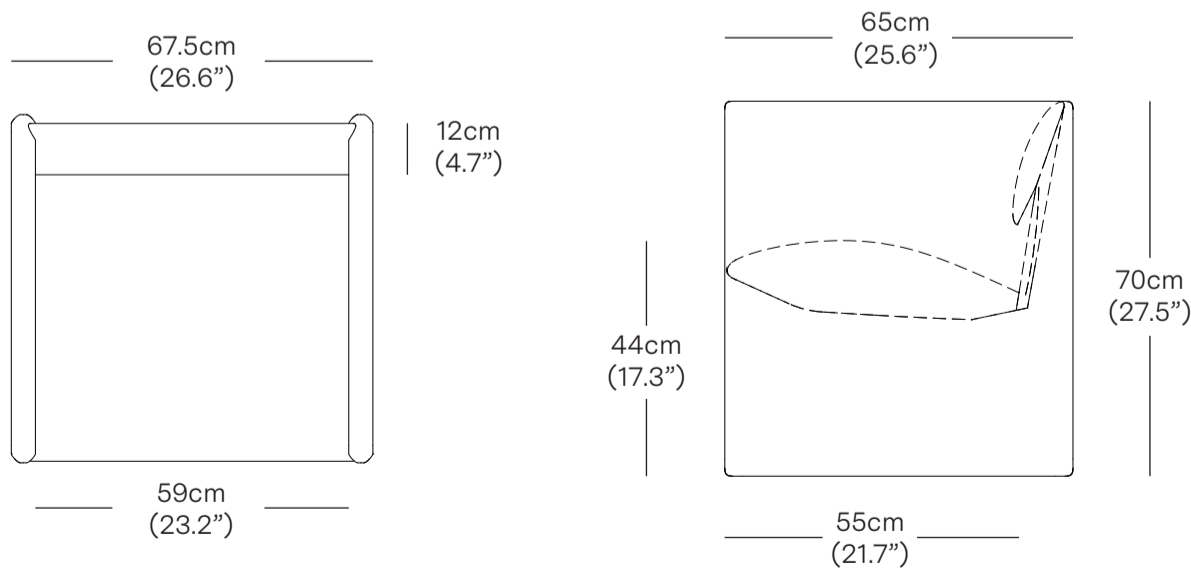
CODE	PRODUCT
SAC002	Sacha Arm Chair

CATEGORY	PRODUCT	PRICE
1	Maharam Mode / Messenger / COM	€3540
2	Camira Synergy / Mainline Flax	€3960

UPHOLSTERY USAGE COM 3.2 m (3.5 yd)
UPHOLSTERY DETAILS Please see page 84 - 85

PRODUCT WEIGHT
19.0 kg (41.9 lbs)

PACKAGED DIMENSIONS		
L x W x H	Cubage	Weight
Box 1		
70 x 72 x 76 cm	0.38 m3	22.5 kg
27.6 x 28.3 x 29.9in	13.5 ft3	49.6 lbs
COMMODITY CODE	94016100	



* Components drawn in relative scale. Refer to CAD files for accurate drawings.

Sacha 2 Seater Sofa

New



Philippe Malouin | 2024

Designed by Philippe Malouin, Sacha is a fully upholstered sofa, available as either 2 or 3 seater. Visually graphic, Sacha is comfortable yet brutal and geometric with an unexpected twist.

The distinctively folded backrest is enhanced by slender, fully upholstered arms. Sacha's back features a subtle inclination, while the backrest offers the perfect resting angle, providing exceptional lumbar support. This sofa can seamlessly transition between domestic and commercial settings.

MATERIALS Upholstered Plywood, Foam, Steel
PRODUCT ENVIRONMENT Indoor Use Only
CONTRACT USE Yes
CERTIFICATION CAL 117-2013, BS 5852 Crib 5, EN 1021-1 EN 1021-11
WARRANTY 3 years
COUNTRY OF ORIGIN New Zealand

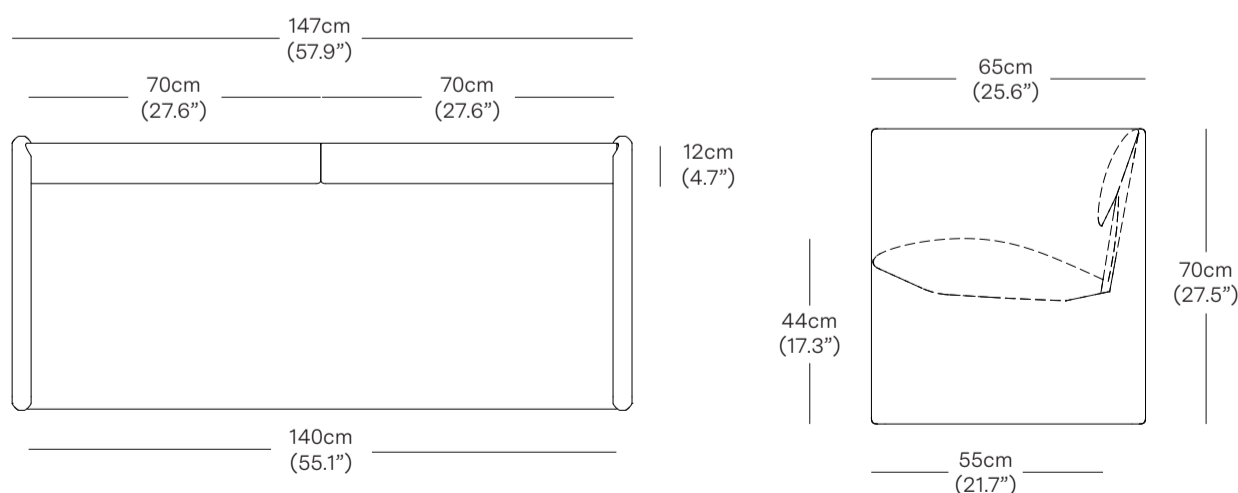
CODE	PRODUCT
SAC003	Sacha Sofa - 2 Seater

CATEGORY	PRODUCT	PRICE
1	Maharam Mode / Messenger / COM	€6240
2	Camira Synergy / Mainline Flax	€6600

UPHOLSTERY USAGE COM 6 m (6.6 yd)
UPHOLSTERY DETAILS Please see page 84 - 85

PRODUCT WEIGHT
35.0 kg (77.2 lbs)

PACKAGED DIMENSIONS		
L x W x H	Cubage	Weight
Box 1		
158 x 87 x 96 cm	1.18 m ³	91 kg
62.2 x 30.7 x 37.8 in	41.8 ft ³	200.7lbs
COMMODITY CODE	94016100	



* Components drawn in relative scale. Refer to CAD files for accurate drawings.

Sacha 3 Seater Sofa



Philippe Malouin | 2024

Designed by Philippe Malouin, Sacha is a fully upholstered sofa, available as either 2 or 3 seater. Visually graphic, Sacha is comfortable yet brutal and geometric with an unexpected twist.

The distinctively folded backrest is enhanced by slender, fully upholstered arms. Sacha's back features a subtle inclination, while the backrest offers the perfect resting angle, providing exceptional lumbar support. This sofa can seamlessly transition between domestic and commercial settings.

MATERIALS Upholstered Plywood, Foam, Steel
PRODUCT ENVIRONMENT Indoor Use Only
CONTRACT USE Yes
CERTIFICATION CAL 117-2013, BS 5852 Crib 5, EN 1021-1 EN 1021-11
WARRANTY 3 years
COUNTRY OF ORIGIN New Zealand

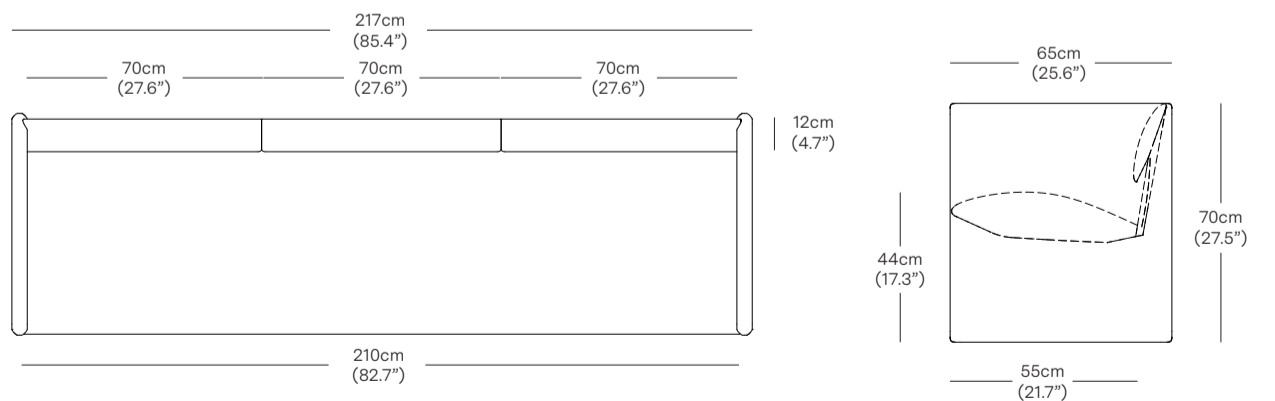
CODE	PRODUCT
SAC004	Sacha Sofa - 3 Seater

CATEGORY	PRODUCT	PRICE
1	Maharam Mode / Messenger / COM	€8160
2	Camira Synergy / Mainline Flax	€8820

UPHOLSTERY USAGE COM 7.5 m (8.2 yd)
UPHOLSTERY DETAILS Please see page 84 - 85

PRODUCT WEIGHT
50.0 kg (110.2 lbs)

PACKAGED DIMENSIONS		
L x W x H	Cubage	Weight
Box 1		
228 x 78 x 96 cm	1.71 m3	128 kg
89.9 x 30.7 x 37.8 in	60.3 ft3	282.2 lbs
COMMODITY CODE	94016100	



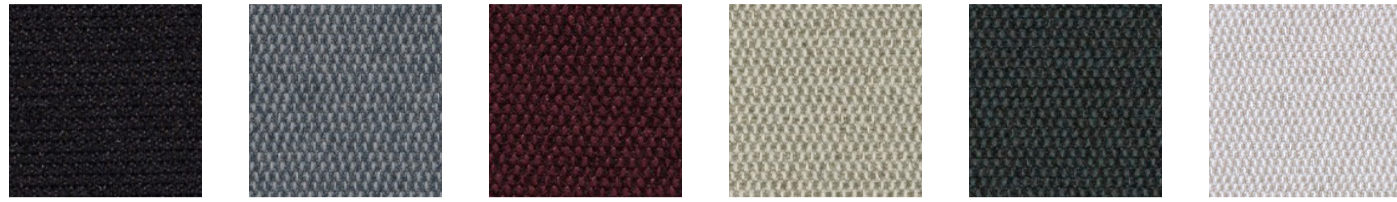
* Components drawn in relative scale. Refer to CAD files for accurate drawings.

Upholstery Fabric & Leather

78% Post Consumer Recycled Polyester, 15% Polyester, 7% Nylon. 100,000 Martindale
CAL 117-2013, BS 5852 Crib 5* EN 1021-1* EN 1021-2* / *passes with additional treatment

Messenger
Maharam

Category 1

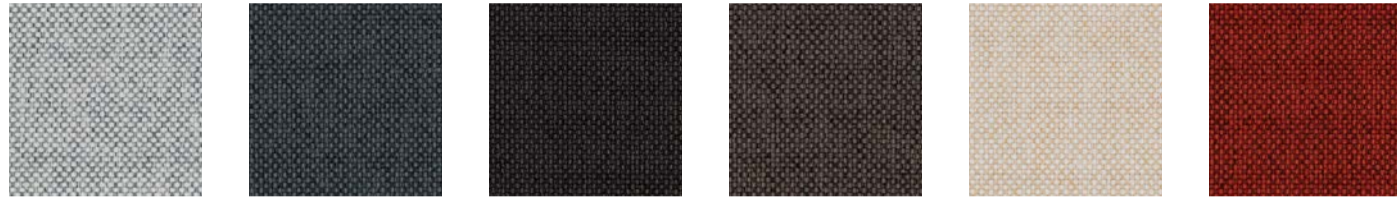


029 Onyx 031 Cloud 066 Cassis 080 Pensive 087 Everglade 090 Longspur

80% Post Consumer Recycled Polyester, 20% Polyester. 100,000 Martindale
CAL 117-2013, BS 5852 Crib 5* EN 1021-1* EN 1021-2* / *passes with additional treatment

Mode
Maharam

Category 1



002 Intagilo 004 Machine 005 Talus 007 Hollow 016 Cottontail 023 Adler

95% Virgin Wool, 5% Polyamide. 100,000 Martindale
CAL 117-2013, BS 5852 Crib 5* EN 1021-1 EN 1021-2 / *passes with additional treatment

Synergy
Camira

Category 2



08 Serendipity 18 Loop 32 Affix 42 Intertwine 78 Cordial 79 Amiable

70% Virgin Wool, 30% Flax. 50,000 Martindale
CAL 117-2013, BS 5852 Crib 5, EN 1021-1 EN 1021-2

Mainline Flax
Camira

Category 2

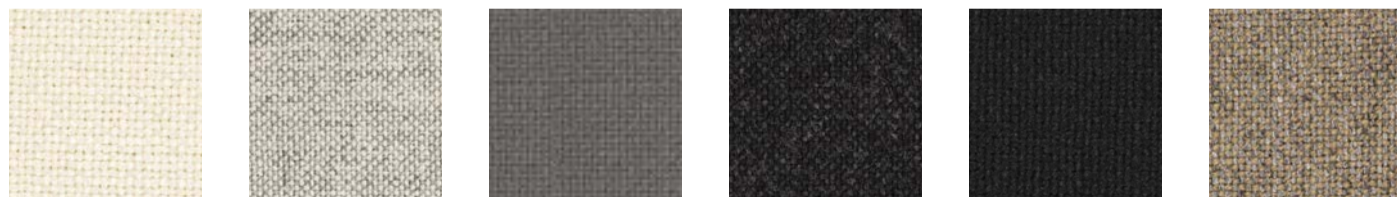


02 Archway 16 Temple 20 Upminster 28 Edgware 45 Barking 55 Hornchurch

70% New Wool, 30% Viscose. 100,000 Martindale
CAL 117-2013, BS 5852 Crib 5, EN 1021-1 EN 1021-2

Hallingdal 65
Kvadrat

Category 3

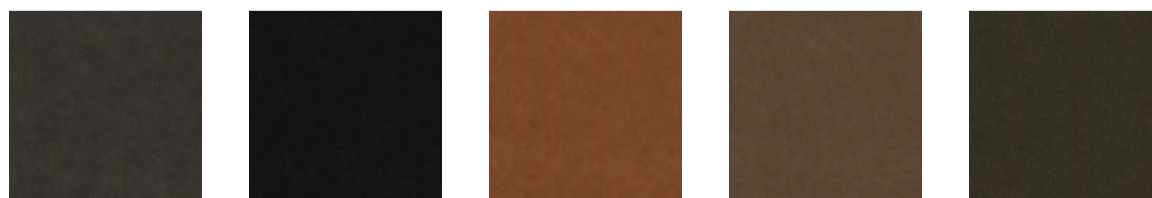


0100 0110 0143 0180 0190 0227

100% Protected Semi-Aniline Leather

Envy
Sorenson

Category 3



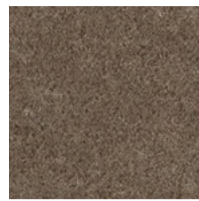
Anthrazite Black Cognac Nougat Olive

Upholstery Fabric & Leather

100% Mohair. 70,000 Martindale
CAL 117-2013, BS 5852 Crib 5, EN 1021-1 EN 1021-2

Mohair Supreme
Maharam

Category 4



072 Stonehenge



127 Cognac



129 Peat



147 Armory



150 Capiz

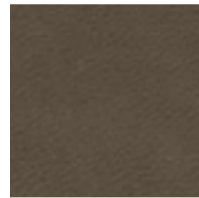


186 Soulmate

100% Aniline Nubuck Leather

Royal Nubuck
Sorensen

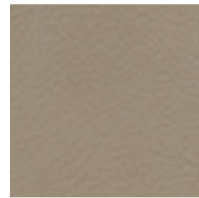
Category 4



Almond



Cognac



Off White



Black

Upholstery Fabric Compatability

Category	Supplier	Fabric Name	Arcade	Jiro	Isabella	Kashmir	Pick Up Sticks	Sacha Arm Chair & Sofa	Sacha Dining Chair
1	Maharam	Messenger	✓		✓	✓	✓	✓	
	Maharam	Mode	✓	✓	✓	✓	✓	✓	
2	Camira	Synergy	✓	✓	✓	✓	✓	✓	
	Camira	Mainline Flax	✓	✓	✓	✓	✓	✓	
3	Kvadrat	Hallingdal 65	✓	✓	✓	✓	✓		✓
	Sorensen	Envy	✓	✓**	✓	✓**	✓		
4	Maharam	Mohair Supreme	✓		✓				
	Sorensen	Royal Nubuck			✓		✓		

**Minimum order qty required is 4 pieces per colour, except Envy Black, this is stocked as standard

Ordering Upholstery

Lead Times

Production and delivery lead time will be quoted at time of order, this may be dependent on variable factors per territory including fabric or leather availability. You will be advised of the expected time line at point of order confirmation. Production will only commence when fabric has been received at the factory.

Payment

Made to Order products require 50% deposit prior to manufacture commencement, the final 50% balance is due prior to shipping.

Manufacture

Resident have upholstery manufacture hubs in United Kingdom and Netherlands.

Customer Own Material / Leather

Customer Own Material and Leather (C.O.M / C.O.L) production lead time will only commence when the fabric or leather has been received at the factory. Payment of fabric and delivery to the factory is the responsibility of the client.

All C.O.M needs to be approved before placement of order. Samples of C.O.M fabric may be requested prior to approval and will need to be sent to the factory to be tested before they are approved.

Costs for Treatment

British BS 5852 Source 0,1 (Cigarette & Match) €4.00 per linear Meter

European EN 1021 Part 1 & 2 €4.00 per linear Meter

British BS 5852 Source 5 (Crib 5) €5.00 per linear Meter

Please allow an addition of 2 -3 weeks lead time

Any Inter-liners, foam and feather fill that Resident use meets UK fire safety requirements and will be labelled accordingly.

The client is fully responsible for ensuring the chosen fabric (Resident Specified or C.O.M / or C.O.L) is suitable for the intended environment. Resident will not take any responsibility for damage due to improper environmental use.

Leather

Leather is a unique natural material, there may be organically occurring imperfections in the hide, these may include growth marks, wrinkles insect bites & slight colour variations. All leather will be supplied within commercial tolerance and cannot be claimed as a fault.

Warranty

Resident have a 3-year warranty on the upholstered furniture frames, (Jiro chair = 5 years), the guarantee on the upholstery fabric is at the discretion of the fabric provider.

Fabric & Leather Selection

Tim Rundle Resident's creative director has selected the seasonal upholstery fabrics and leather colour pallet. Whilst a select edit per fabric is shown, all colours within the selected ranges are available to order – pending on availability.

Additional information for each fabric including warranty, care and maintenance guidelines, safety certifications can be sourced via the manufacturers websites:

Camira www.camirafabrics.com

Kvadrat www.kvadrat.dk

Maharam www.maharam.com

Sorensen www.sorensenleather.com

Samples

For fabric and leather samples please contact the fabric houses directly

Terms & Conditions

Buying

All prices listed are retail excluding VAT unless stated.
Appropriate trade discounts are applicable to the listed retail prices,
Trade discounts do not apply to shipping costs

Payments / Surcharges

Payment terms are Pro-forma unless otherwise specified
The client is to cover and accept any bank charges in relation to payments of Resident invoices
Orders paid by credit card will receive a 2.9% surcharge on the total invoice value.
Made to Order products require 50% deposit prior to manufacture commencement, the final 50% balance is due prior to shipping
Late Collection Fee - Orders paid for and not collected are subject to a storage surcharge of £25 per day after 10 business days
Restocking Fee - for orders picked and then cancelled will incur a surcharge of 15% of the order value.

Order Changes

Please ensure the order confirmation corresponds to your order. All requests for changes or cancellations of a confirmed order must be made within 24 hours and require approval from Resident. If the order has been despatched already, this will incur a restocking fee of 15% for unopened cartons and 25% for opened cartons with customers managing and taking all shipping fees. Items should be unused, returned in their original packaging and in a fully resalable condition.

Upholstery

The client is fully responsible for ensuring the chosen fabric (Resident Specified or C.O.M / or C.O.L) is suitable for the intended environment. Resident will not take any responsibility for damage due to improper environmental use. All Residents upholstery orders are made to order and cannot be exchanged or returned due to change of mind. Made to Order products require 50% deposit prior to manufacture commencement, the final 50% balance is due prior to shipping. The lead time given for Made to Order upholstery commences when the fabric has been received at the upholsterer.

Warranty

Resident UK Ltd warrants its products to be free from defects in materials and workmanship for a period of three (3) years from date of delivery (Jiro chairs = 5 years) During this warranty period Resident will repair or replace, at its option, products that are proven to be defective. All Resident lighting must be installed by a certified electrician. This warranty does not apply to damages resulting from accident, alteration, tampering, misuse, negligence or abuse. This warranty does not apply to light bulbs, which are not products manufactured by Resident and are supplied by Resident only as an accommodation (please note some lighting fixtures do not ship with light bulbs). The warranty only covers materials and no other costs associated with replacing faulty products. If a product is deemed faulty after the warranty period has expired, this will be assessed on a case by case basis at the discretion of the Resident team.

Claims Process

Resident must be notified of any claims within 10 business days of receipt of the goods. It is Residents policy that when faulty stock is replaced, we will request that the faulty item is returned to Resident (at Residents freight expense). When the replacement item is sent to you, an invoice will be raised for this item, and a credit raised against the invoice, however the credit will only be applied when the faulty item has been returned. If the faulty item fails to be returned within 3 months from the date the claim commences a credit note will not be issued, the replacement item will be invoiced, and the monies will be due.

Outside of Warranty

Resident offers an exchange service for the Geometric series lighting that falls outside the claimable warranty period. The client is required (at their expense) to cover all (to & from) shipping costs to Resident's warehouses (addresses listed below) as well as a service charge of £100 per light. The client will then be provided with the latest model of light. Requests for out of warranty exchange will be assessed on a case by case basis at the discretion of the Resident team, at the time of request you will be advised of lead times and a price for this service.

Transport Damages

If there are evident damages to goods and / or packaging upon receipt it must be documented with a written note on the freight bill, with the signature of the driver. Product damages must immediately be reported directly to Resident in writing within 10 business days of receipt of the goods. All damages should be documented with photos in order to facilitate the handling of the claim. All returns must be authorized in writing prior to return

Transport Damages (Ex-Works Collection)

All Residents goods are packaged suitably for Ex-Works Collection.
It is the responsibility of the customer to ensure when collecting goods, they are handled and freighted suitably for the entirety of the journey. Any freight damages, the customer will need to claim directly with the freight provider – not Resident

Disclaimer

All of Residents products are lovingly hand finished, this can sometimes lead to slight irregularities. Resident reserve the right to make the final judgment on a defect arising from the handmade nature of the process or the characteristics of the material. Resident's warranty does not apply to normal wear and tear, customers' own fabric, effects of extreme temperature or unusual environment conditions. No responsibility will be accepted for misuse of products; neither does the company's responsibility extend to any damage caused by inadequate maintenance or faulty assembly on the part of the purchaser.

Shipping Terms & Conditions

Distribution

Resident distributes from a warehouse in London, UK, and occasionally direct from factory in Continental Europe.

For orders with a net value less than €2000, delivery is charged at 10% of the Net Value.

For orders with a net value above €2000, delivery is free of charge.

Customs clearance fees are included in the above.

If VAT is payable, it is the responsibility of the customer.

If you wish to collect UK Ex-Works to avoid Residents freight charges see below.

Ex-Works Collection

All Resident goods are packaged suitably for Ex-Works Collection. It is the responsibility of the customer to ensure when collecting goods, they are handled and freighted suitably for the entirety of the journey. Any freight damages, the customer will need to claim directly with the freight provider – Not Resident.

Ex Works Collection Address:

XPand Logistics

Unit 10, Egham Business Park Ten Acre Lane

Egham

Surrey

TW20 8RJ

O: +44 (0) 1784 431 081

Yacine Chami

DD: +44 (0) 1784 430 293

E: yacine.chami@xpandlogistics.co.uk

David Bell

DD: +44 (0) 1784 430 292

E: David.Bell@xpandlogistics.co.uk

Certificate of Origin

For orders above €2000 net certificates of origin (COO) is free of charge

For orders less than €2000 net Certificates of Origin (COO) are charged at €200 Euro per certificate.

Resident Orders:

orders@resident.co.nz

Resident Sales Enquiries:

info@resident.co.nz

As of May 1st 2024 this price list comes into effect, all previous price lists are no longer valid.

Tools

This link gives you access to the below sales tools: [Resident Partner Resource Library](#)

- Design Files: Revit, DWG, 3ds
- Imagery: Hi-Res, Thumbnail & Insitu
- Technical Specifications
- Care Instructions
- Assembly Instructions
- Press Releases
- Brand Guidelines

B2B Portal: <https://residentusa.store.unleashedsoftware.com/login>

Website: www.resident.co.nz

Instagram: [@resident.co.nz](https://www.instagram.com/resident.co.nz)

