

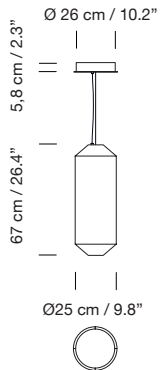


SANTA & COLE

**Tekiò**  
**Price List Annex**  
**Indoor 2018**

## Tekiò Vertical P1

Anthony Dickens  
2017



### Composition

**TEKVE1 + TEKVP1 + TEKF01** **995 €**

Code	Description	
<b>TEKVE1</b>	White S&C metal P1 structure with matte finish	<b>310 €</b>
<b>TEKVP1</b>	Washi Japanese paper P1 shade	<b>375 €</b>
<b>TEKF01</b>	White S&C metallic canopy with power supply incorporated	<b>310 €</b>

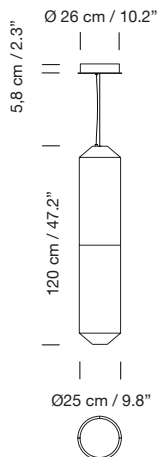
CE

### Light source included:

Built-in LED 31 W

## Tekiò Vertical P2

Anthony Dickens  
2017



### Composition

**TEKVE2 + TEKVP2 + TEKF01** **1.410 €**

Code	Description	
<b>TEKVE2</b>	White S&C metal P2 structure with matte finish	<b>550 €</b>
<b>TEKVP2</b>	Washi Japanese paper P2 shade	<b>550 €</b>
<b>TEKF01</b>	White S&C metallic canopy with power supply incorporated	<b>310 €</b>

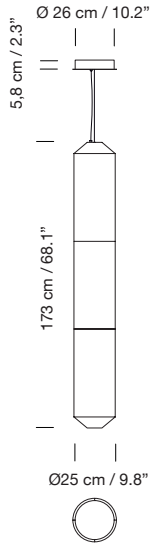
CE

### Light source included:

Built-in LED 54 W

## Tekiò Vertical P3

Anthony Dickens  
2017



### Composition

**TEKVE3 + TEKVP3 + TEKF01** **1.905 €**

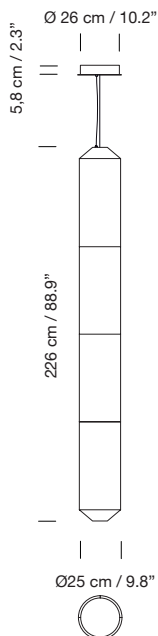
Code	Description	
<b>TEKVE3</b>	White S&C metal P3 structure with matte finish	<b>865 €</b>
<b>TEKVP3</b>	Washi Japanese paper P3 shade	<b>730 €</b>
<b>TEKF01</b>	White S&C metallic canopy with power supply incorporated	<b>310 €</b>

CE ⊕

**Light source included:**  
Built-in LED 77 W

## Tekiò Vertical P4

Anthony Dickens  
2017



### Composition

**TEKVE4 + TEKVP4 + TEKF01** **2.300 €**

Code	Description	
<b>TEKVE4</b>	White S&C metal P4 structure with matte finish	<b>1.085 €</b>
<b>TEKVP4</b>	Washi Japanese paper P4 shade	<b>905 €</b>
<b>TEKF01</b>	White S&C metallic canopy with power supply incorporated	<b>310 €</b>

CE ⊕

**Light source included:**  
Built-in LED 100 W

# Tekiò Horizontal P1

Anthony Dickens  
2017

Composition		Drawing	
TEKHE1 + TEKHP1 + TEKF01		A	995 €
TEKHE1 + TEKHP1 + TEKF03		B	995 €
Code	Structure		
TEKHE1	P1		310 €
Lampshade			
TEKHP1	P1		375 €
Canopy			
TEKF01	Circular	A	310 €
TEKF03	Rectangular	B	310 €

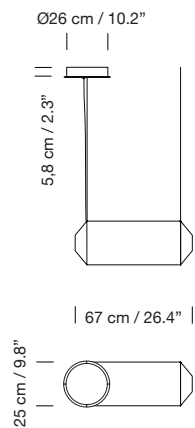
White S&C metal structure with matte finish.

Washi Japanese paper shade.

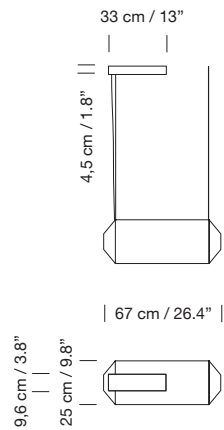
White S&C metallic canopy with power supply incorporated.



A



B



## Light source included:

Built-in LED 31 W

# Tekiò Horizontal P2

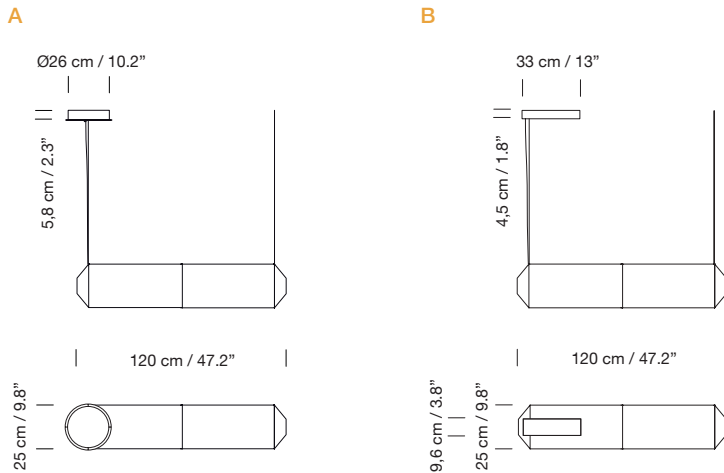
Anthony Dickens  
2017

Composition		Drawing	
TEKHE2 + TEKHP2 + TEKFO1		A	1.410 €
TEKHE2 + TEKHP2 + TEKFO3		B	1.410 €
Code	Structure		
TEKHE2	P2		550 €
Lampshade			
TEKHP2	P2		550 €
Canopy			
TEKF01	Circular	A	310 €
TEKF03	Rectangular	B	310 €

White S&C metal structure with matte finish.

Washi Japanese paper shade.

White S&C metallic canopy with power supply incorporated.



**Light source included:**  
Built-in LED 54 W

# Tekiò Horizontal P3

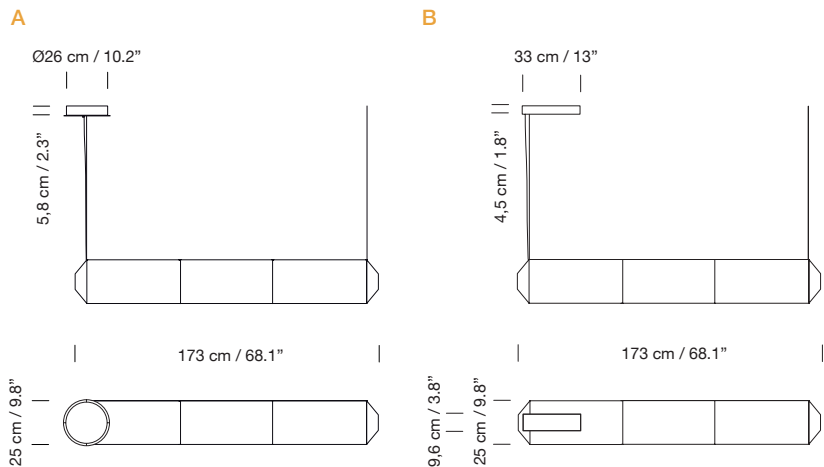
Anthony Dickens  
2017

Composition		Drawing	
TEKHE3 + TEKHP3 + TEKF01		A	1.920 €
TEKHE3 + TEKHP3 + TEKF03		B	1.920 €
Code	Structure		
TEKHE3	P3		880 €
Lampshade			
TEKHP3	P3		730 €
Canopy			
TEKF01	Circular	A	310 €
TEKF03	Rectangular	B	310 €

White S&C metal structure with matte finish.

Washi Japanese paper shade.

White S&C metallic canopy with power supply incorporated.



## Light source included:

Built-in LED 77 W

# Tekiò Horizontal P4

Anthony Dickens

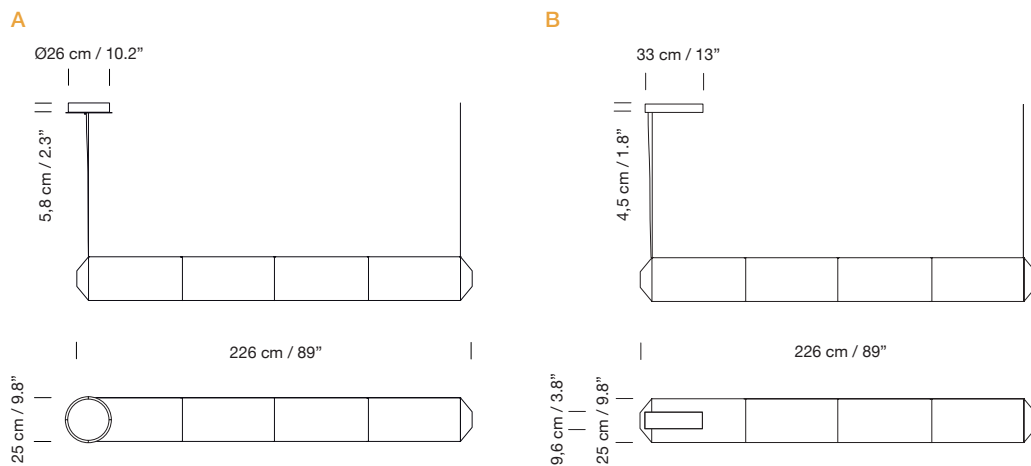
2017

Composition		Drawing	
TEKHE4 + TEKHP4 + TEKFO1		A	2.385 €
TEKHE4 + TEKHP4 + TEKFO3		B	2.385 €
Code	Structure		
TEKHE4	P4		1.170 €
		Lampshade	
TEKHP4	P4		905 €
		Canopy	
TEKF01	Circular	A	310 €
TEKF03	Rectangular	B	310 €

White S&C metal structure with matte finish.

Washi Japanese paper shade.

White S&C metallic canopy with power supply incorporated.



**Light source included:**

Built-in LED 100 W

# Tekìo Circular P8

Anthony Dickens  
2017

Composition		Drawing	
TEKCE8 + TEKCP8 + TEKF02		A	3.490 €
TEKCE8 + TEKCP8 + 2 TEKF03		B	3.675 €
Code	Structure		
TEKCE8	P8	1.625 €	
Lampshade			
TEKCP8	P8	1.430 €	
Canopy			
TEKF02	Circular <sup>[1]</sup>	A	435 €
TEKF03	Rectangular <sup>[2]</sup>	B	310 €

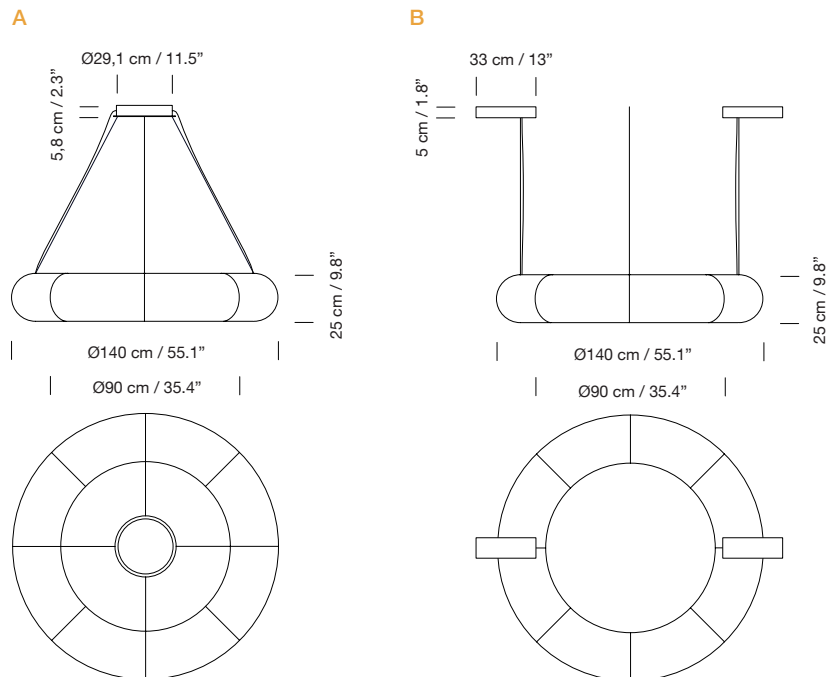
White S&C metal structure with matte finish.

Washi Japanese paper shade.

White S&C metallic canopy with power supply incorporated.

<sup>[1]</sup> For the composition with circular rosette (A), 1 unit of TEKF02 is required.

<sup>[2]</sup> For the composition with rectangular rosette (B), 2 units of TEKF03 are required.



### Light source included:

Built-in LED 200 W



**Tekiò Oval P12**

Anthony Dickens  
2017

Composition		Drawing	
TEKCE8 + TEKOE4 + TEKCP8 + TEKOP4 + 2 TEKFO2		<b>A</b>	5.820 €
TEKCE8 + TEKOE4 + TEKCP8 + TEKOP4 + 4 TEKFO3		<b>B</b>	6.190 €

Code	Structure	
TEKCE8	P8	1.625 €
TEKOE4	P4	1.170 €

Lampshade		
TEKCP8	P8	1.430 €
TEKOP4	P4	725 €

Canopy			
TEKF02	Circular <sup>[1]</sup>	<b>A</b>	435 €
TEKF03	Rectangular <sup>[2]</sup>	<b>B</b>	310 €

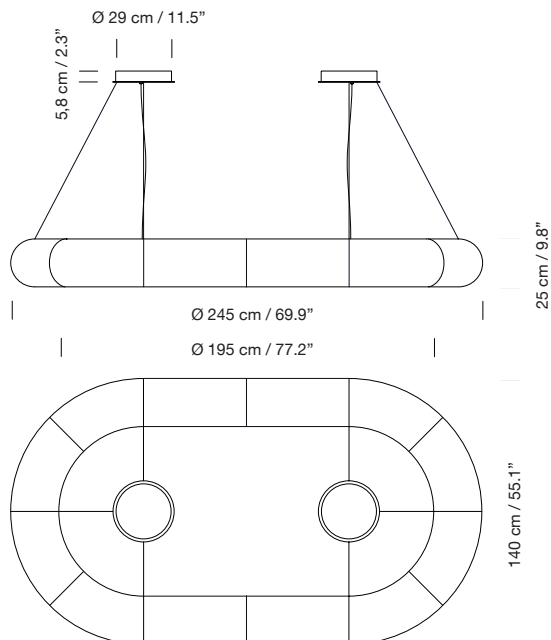
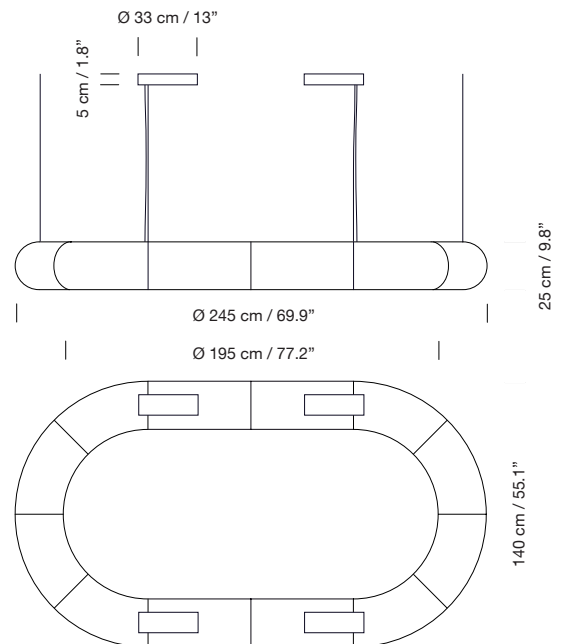
White S&C metal structure with matte finish.

Washi Japanese paper shade.

White S&C metallic canopy with power supply incorporated.

<sup>[1]</sup> For the composition with rectangular rosette (**B**), 2 units of TEKFO2 are required.

<sup>[2]</sup> For the composition with rectangular rosette (**B**), 4 units of TEKFO3 are required.

**A****B**

**Light source included:**  
Built-in LED 300 W